

# AC axial fan - HyBlade

sickle-shaped blades (S series)

with square full nozzle

W8D630-GN01-01 ebmpapst Datasheet

sales@fansco.com

www.fansco.com

Limited partnership · Headquarters Mulfingen

Amtsgericht (court of registration) Stuttgart · HRA 590344

General partner Elektrobau Mulfingen GmbH · Headquarters Mulfingen

Amtsgericht (court of registration) Stuttgart · HRB 590142

## Nominal data

Type	W8D630-GN01-01				
Motor	M8D110-GF				
Phase		3~	3~	3~	3~
Nominal voltage	VAC	400	400	480	480
Wiring		Δ	Y	Δ	Y
Frequency	Hz	50	50	60	60
Method of obtaining data		ml	ml	ml	ml
Valid for approval/standard		-	-	-	-
Speed (rpm)	min <sup>-1</sup>	660	520	780	560
Power consumption	W	330	190	490	270
Current draw	A	0.83	0.39	0.94	0.45
Max. back pressure	Pa	60	36	80	37
Max. back pressure	inH <sub>2</sub> O	0.24	0.14	0.32	0.15
Min. ambient temperature	°C	-40	-40	-40	-40
Max. ambient temperature	°C	65	65	55	55
Starting current	A	1.85	0.62		

ml = Max. load · me = Max. efficiency · fa = Free air · cs = Customer specification · ce = Customer equipment  
Subject to change



# AC axial fan - HyBlade

sickle-shaped blades (S series)

with square full nozzle

## Technical description

Weight	23.9 kg
Fan size	630 mm
Rotor surface	Painted black
Terminal box material	PP plastic
Blade material	Press-fitted sheet steel blank, sprayed with PP plastic
Fan housing material	Sheet steel, galvanized and coated with black plastic (RAL 9005)
Guard grille material	Steel, coated with black plastic (RAL 9005)
Number of blades	5
Airflow direction	"V"
Direction of rotation	Counterclockwise, viewed toward rotor
Degree of protection	IP54
Insulation class	"F"
Moisture (F) / Environmental (H) protection class	F4-1
Max. permitted ambient temp. for motor (transport/storage)	+ 80 °C
Min. permitted ambient temp. for motor (transport/storage)	- 40 °C
Installation position	Shaft horizontal or rotor on bottom; rotor on top on request
Condensation drainage holes	On rotor side
Mode	S1
Motor bearing	Ball bearing
Touch current according to IEC 60990 (measuring circuit Fig. 4, TN system)	<= 3.5 mA
Electrical hookup	Via terminal box
Motor protection	Thermal overload protector (TOP) with basic insulation
With cable	Axial
Protection class	I (with customer connection of protective earth)
Conformity with standards	EN 61800-5-1
Approval	VDE; EAC

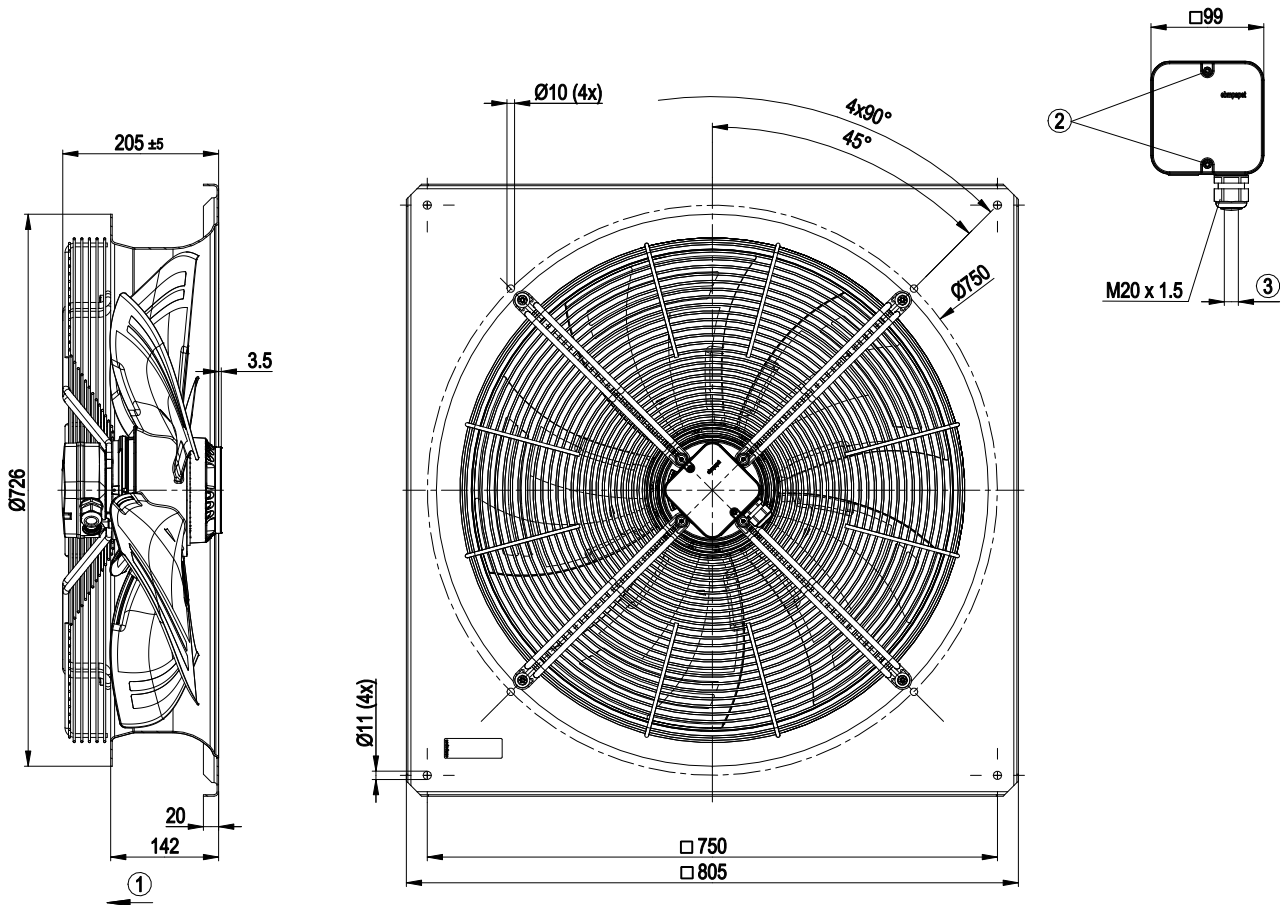


# AC axial fan - HyBlade

sickle-shaped blades (S series)

with square full nozzle

## Product drawing



1	Direction of air flow "V"
2	Tightening torque 1.5 ± 0.2 Nm
3	Cable diameter: min. 6 mm, max. 12 mm, tightening torque 2±0.3 Nm

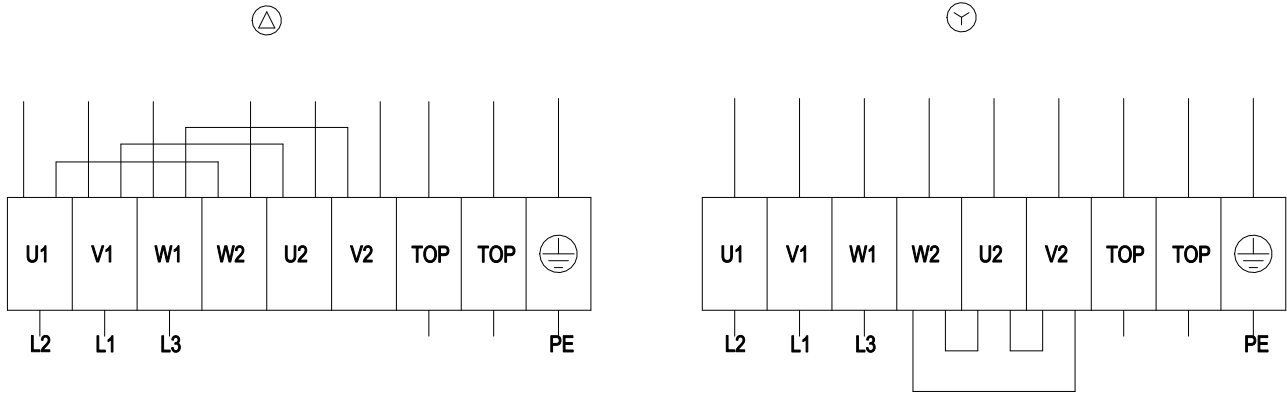


# AC axial fan - HyBlade

sickle-shaped blades (S series)

with square full nozzle

## Connection diagram



Δ	Delta connection	Y	Star connection	L1	= V1 = blue
L2	= U1 = black	L3	= W1 = brown	W2	yellow
U2	green	V2	white	TOP	2x gray
PE	green/yellow				

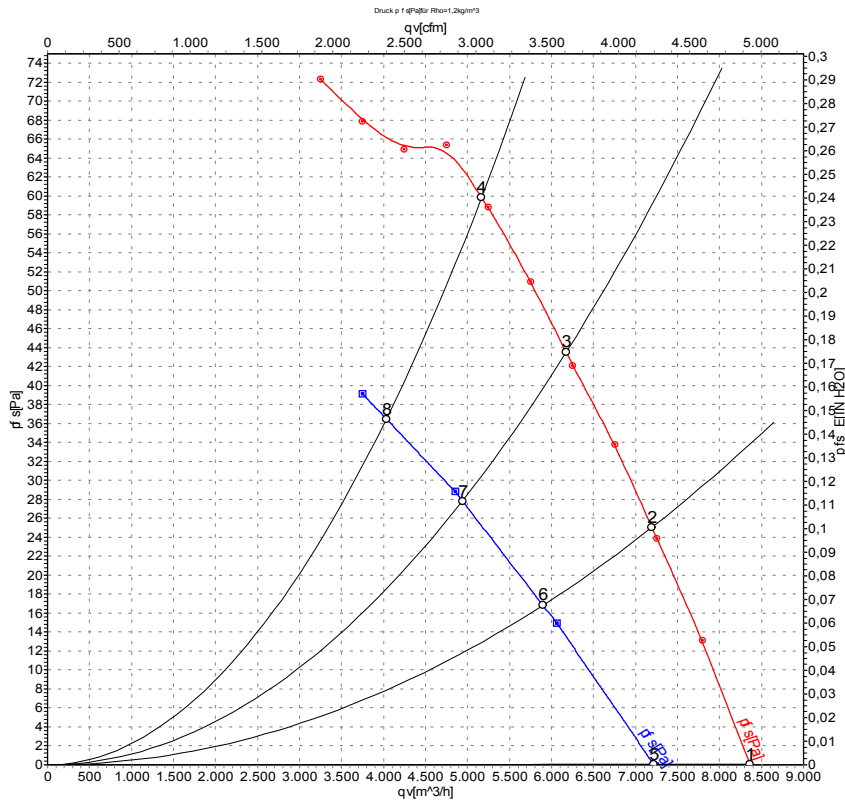


# AC axial fan - HyBlade

sickle-shaped blades (S series)

with square full nozzle

## Curves: Air performance 50 Hz



Measurement: LU-105817-1  
Measurement: LU-107328-1

Air performance measured according to ISO 5801 installation category A. For detailed information on the measurement setup, contact ebmpapst. Intake sound level: Sound power level according to ISO 13347 / sound pressure level measured at 1 m distance from fan axis. The values given are valid under the specified measuring conditions and may vary due to conditions of installation. For deviations from the standard configuration, the parameters have to be checked on the installed unit.

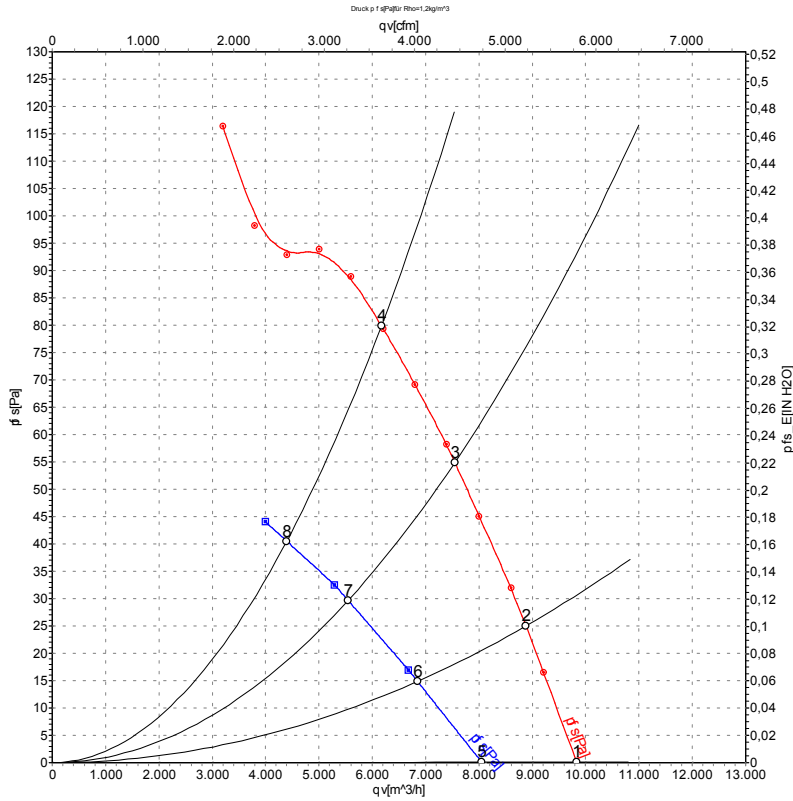
## Measured values

	Wired	U	f	n	P <sub>e</sub>	I	LpA <sub>in</sub>	LwA <sub>in</sub>	LwA <sub>out</sub>	qv	p <sub>fs</sub>	qv	p <sub>fs</sub>
		V	Hz	min <sup>-1</sup>	W	A	dB(A)	dB(A)	dB(A)	m <sup>3</sup> /h	Pa	CFM	inH2O
1	Δ	400	50	700	248	0.79	58	63	62	8360	0	4920	0.00
2	Δ	400	50	685	285	0.81	54	60	60	7195	25	4235	0.10
3	Δ	400	50	675	309	0.82	54	60	59	6175	44	3635	0.18
4	Δ	400	50	660	330	0.83	54	61	60	5165	60	3040	0.24
5	Y	400	50	600	157	0.33	53	59	58	7215	0	4245	0.00
6	Y	400	50	560	176	0.35	50	56	55	5900	17	3470	0.07
7	Y	400	50	535	186	0.37	49	55	54	4940	28	2905	0.11
8	Y	400	50	520	190	0.39	49	55	55	4035	36	2375	0.14

Wired = Wiring · U = Power supply · f = Frequency · n = Speed (rpm) · P<sub>e</sub> = Power consumption · I = Current draw · LpA<sub>in</sub> = Sound pressure level intake side · LwA<sub>in</sub> = Sound power level intake side  
LwA<sub>out</sub> = Sound power level outlet side · qv = Air flow · p<sub>fs</sub> = Pressure increase



## Curves: Air performance 60 Hz



Measurement: LU-105818-1  
Measurement: LU-107331-1

Air performance measured according to ISO 5801 installation category A. For detailed information on the measurement setup, contact ebm-papst. Intake sound level: Sound power level according to ISO 13347 / sound pressure level measured at 1 m distance from fan axis. The values given are valid under the specified measuring conditions and may vary due to conditions of installation. For deviations from the standard configuration, the parameters have to be checked on the installed unit.

## Measured values

	Wired	U	f	n	P <sub>e</sub>	I	LpA <sub>in</sub>	LwA <sub>in</sub>	LwA <sub>out</sub>	qv	p <sub>fs</sub>	qv	p <sub>fs</sub>
		V	Hz	min <sup>-1</sup>	W	A	dB(A)	dB(A)	dB(A)	m <sup>3</sup> /h	Pa	CFM	inH2O
1	Δ	480	60	820	366	0.84	61	67	66	9830	0	5785	0.00
2	Δ	480	60	810	406	0.88	59	65	64	8880	25	5225	0.10
3	Δ	480	60	790	455	0.91	57	63	63	7545	55	4440	0.22
4	Δ	480	60	780	490	0.94	58	64	63	6175	80	3635	0.32
5	Y	480	60	665	235	0.40	55	61	60	8050	0	4740	0.00
6	Y	480	60	620	251	0.42	52	59	58	6850	15	4030	0.06
7	Y	480	60	580	265	0.44	50	57	56	5545	30	3265	0.12
8	Y	480	60	560	270	0.45	50	57	56	4395	40	2590	0.16

Wired = Wiring · U = Power supply · f = Frequency · n = Speed (rpm) · P<sub>e</sub> = Power consumption · I = Current draw · LpA<sub>in</sub> = Sound pressure level intake side · LwA<sub>in</sub> = Sound power level intake side  
LwA<sub>out</sub> = Sound power level outlet side · qv = Air flow · p<sub>fs</sub> = Pressure increase

