

AC axial fan - HyBlade

sickle-shaped blades (S series)

with square full nozzle

W6D560-DK03-02 ebmpapst Datasheet

sales@fansco.com

www.fansco.com

Limited partnership · Headquarters Muldingen

Amtsgericht (court of registration) Stuttgart · HRA 590344

General partner Elektrobau Muldingen GmbH · Headquarters Muldingen

Amtsgericht (court of registration) Stuttgart · HRB 590142



Nominal data

Type	W6D560-DK03-02						
Motor	M6D110-EF						
Phase		3~	3~	3~	3~	3~	3~
Nominal voltage	VAC	400	400	400	400	480	480
Wiring		Δ	Y	Δ	Y	Δ	Y
Frequency	Hz	50	50	60	60	60	60
Method of obtaining data		ml	ml	ml	ml	ml	ml
Valid for approval/standard		CE	CE	CE	CE	CE	CE
Speed (rpm)	min ⁻¹	895	715	975	650	1045	765
Power consumption	W	380	260	550	300	610	390
Current draw	A	0.81	0.45	0.98	0.54	0.98	0.57
Max. back pressure	Pa	75	48	90	41	105	57
Max. back pressure	inH ₂ O	0.3	0.19	0.36	0.16	0.42	0.23
Min. ambient temperature	°C	-40	-40	-40	-40	-40	-40
Max. ambient temperature	°C	65	65	65	65	65	65
Starting current	A	2.57	0.8	2.28	0.73	2.84	0.88

ml = Max. load · me = Max. efficiency · fa = Free air · cs = Customer specification · ce = Customer equipment
Subject to change

Data according to ErP Directive

	Actual	Req. 2015				
01 Overall efficiency η_{es}	%	30.9	30.9	09 Power consumption P_e	kW	0.37
02 Measurement category	A			09 Air flow q_v	m ³ /h	4600
03 Efficiency category	Static			09 Pressure increase p_{fs}	Pa	88
04 Efficiency grade N	40	40		10 Speed (rpm) n	min ⁻¹	895
05 Variable speed drive	No			11 Specific ratio*		1.00

Data obtained at optimum efficiency level.
The ErP data is determined using a motor-impeller combination in a standardized measurement setup.

* Specific ratio = $1 + p_{fs} / 100\,000\text{ Pa}$

LU-164286



AC axial fan - HyBlade

sickle-shaped blades (S series)

with square full nozzle

Technical description

Weight	20 kg
Fan size	560 mm
Rotor surface	Cast in aluminum
Terminal box material	PP plastic
Blade material	Sheet aluminum insert, sprayed with PP plastic
Fan housing material	Sheet steel, galvanized and coated with black plastic (RAL 9005)
Guard grille material	Steel, coated with black plastic (RAL 9005)
Number of blades	5
Blade pitch	-5°
Airflow direction	"A"
Direction of rotation	Clockwise, viewed toward rotor
Degree of protection	IP54
Insulation class	"F"
Moisture (F) / Environmental (H) protection class	F3-1
Max. permitted ambient temp. for motor (transport/storage)	+ 80 °C
Min. permitted ambient temp. for motor (transport/storage)	- 40 °C
Installation position	Shaft horizontal or rotor on bottom; rotor on top on request
Condensation drainage holes	On rotor side
Mode	S1
Motor bearing	Ball bearing
Touch current according to IEC 60990 (measuring circuit Fig. 4, TN system)	<= 3.5 mA
Electrical hookup	Via terminal box
Motor protection	Thermal overload protector (TOP) with basic insulation
With cable	Axial
Protection class	I (with customer connection of protective earth)
Conformity with standards	EN 61800-5-1; CE
Approval	CCC; EAC; VDE

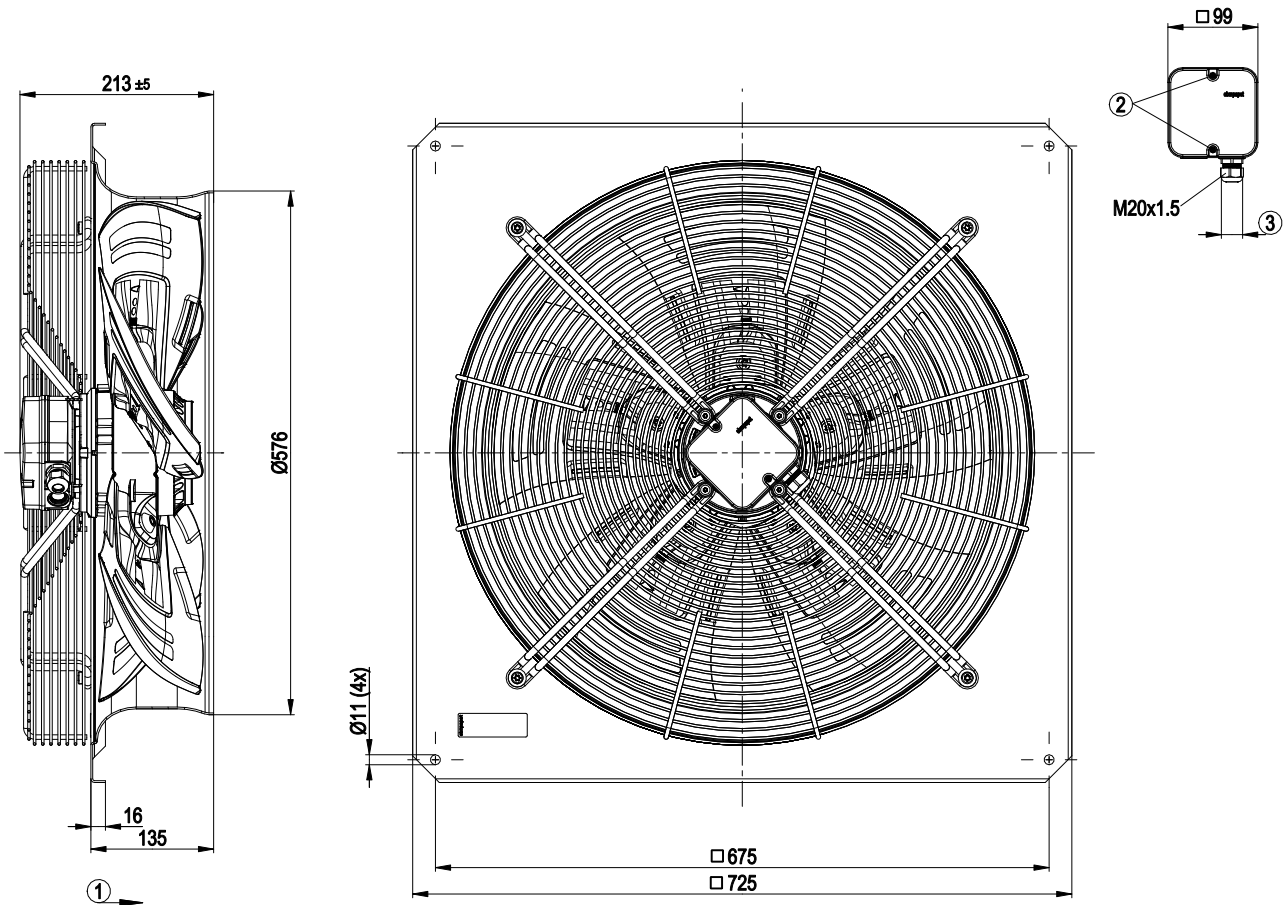


AC axial fan - HyBlade

sickle-shaped blades (S series)

with square full nozzle

Product drawing



1	Direction of air flow "A"
2	Tightening torque 1.5 ± 0.2 Nm
3	Cable diameter: min. 6 mm, max. 12 mm; tightening torque 2 ± 0.3 Nm

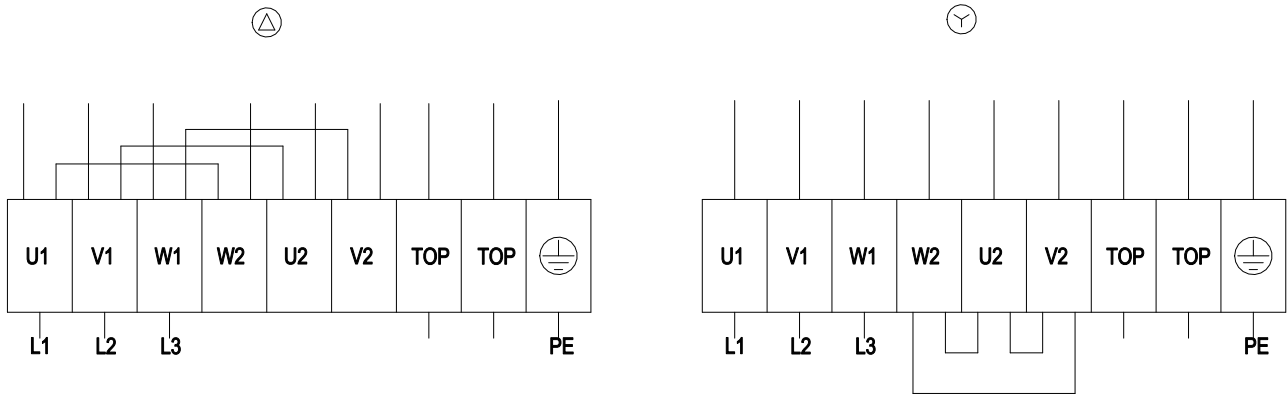


AC axial fan - HyBlade

sickle-shaped blades (S series)

with square full nozzle

Connection diagram



Δ	Delta connection	Y	Star connection	L1	= U1 = black
L2	= V1 = blue	L3	= W1 = brown	W2	yellow
U2	green	V2	white	TOP	2x gray
PE	green/yellow				

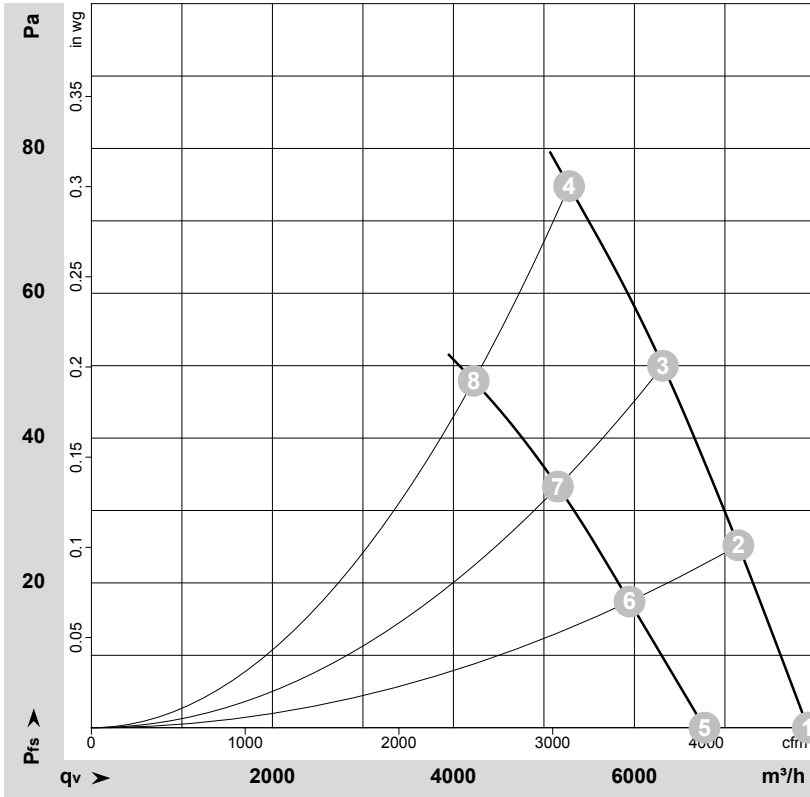


AC axial fan - HyBlade

sickle-shaped blades (S series)

with square full nozzle

Curves: Air performance 50 Hz



$\rho = 1.176 \text{ kg/m}^3 \pm 2 \%$

Measurement: LU-129189-1
Measurement: LU-129398-1

Air performance measured according to ISO 5801 installation category A. For detailed information on the measurement setup, contact ebm-papst. Intake sound level: Sound power level according to ISO 13347 / sound pressure level measured at 1 m distance from fan axis. The values given are valid under the specified measuring conditions and may vary due to conditions of installation. For deviations from the standard configuration, the parameters have to be checked on the installed unit.

Measured values

	Wired	U	f	n	P _e	I	LpA _{in}	LwA _{in}	LwA _{out}	qv	p _{fs}	qv	p _{fs}
		V	Hz	min ⁻¹	W	A	dB(A)	dB(A)	dB(A)	m ³ /h	Pa	CFM	inH2O
1	Δ	400	50	930	291	0.74	59	66	66	7915	0	4660	0.00
2	Δ	400	50	915	326	0.76	58	65	64	7150	25	4205	0.10
3	Δ	400	50	905	352	0.78	58	65	64	6315	50	3715	0.20
4	Δ	400	50	895	380	0.81	57	65	64	5280	75	3105	0.30
5	Y	400	50	795	211	0.37	56	62	62	6775	0	3990	0.00
6	Y	400	50	760	229	0.40	54	61	60	5945	17	3500	0.07
7	Y	400	50	735	245	0.43	53	59	58	5155	34	3035	0.14
8	Y	400	50	715	260	0.45	52	59	58	4225	48	2485	0.19

Wired = Wiring · U = Power supply · f = Frequency · n = Speed (rpm) · P_e = Power consumption · I = Current draw · LpA_{in} = Sound pressure level intake side · LwA_{in} = Sound power level intake side
LwA_{out} = Sound power level outlet side · qv = Air flow · p_{fs} = Pressure increase

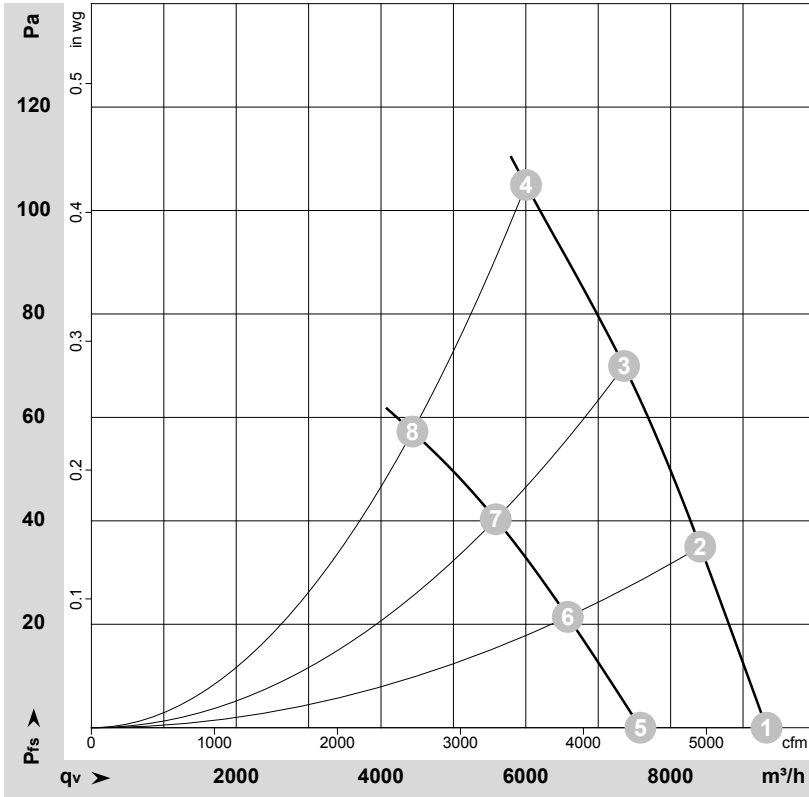


AC axial fan - HyBlade

sickle-shaped blades (S series)

with square full nozzle

Curves: Air performance 60 Hz



$\rho = 1.174 \text{ kg/m}^3 \pm 2 \%$

Measurement: LU-129197-1
Measurement: LU-129399-1

Air performance measured according to ISO 5801 installation category A. For detailed information on the measurement setup, contact ebm-papst. Intake sound level: Sound power level according to ISO 13347 / sound pressure level measured at 1 m distance from fan axis. The values given are valid under the specified measuring conditions and may vary due to conditions of installation. For deviations from the standard configuration, the parameters have to be checked on the installed unit.

Measured values

	Wired	U	f	n	P _e	I	LpA _{in}	LwA _{in}	LwA _{out}	qv	p _{fs}	qv	p _{fs}
		V	Hz	min ⁻¹	W	A	dB(A)	dB(A)	dB(A)	m ³ /h	Pa	CFM	inH2O
1	Δ	480	60	1100	458	0.84	63	70	70	9325	0	5490	0.00
2	Δ	480	60	1080	514	0.88	62	68	68	8410	35	4950	0.14
3	Δ	480	60	1060	565	0.93	63	70	68	7355	70	4330	0.28
4	Δ	480	60	1045	610	0.98	62	69	68	6005	105	3535	0.42
5	Y	480	60	895	330	0.48	58	65	65	7585	0	4465	0.00
6	Y	480	60	845	354	0.52	57	63	63	6580	22	3875	0.09
7	Y	480	60	800	373	0.55	55	62	61	5585	41	3285	0.16
8	Y	480	60	765	390	0.57	54	61	61	4435	58	2610	0.23

Wired = Wiring · U = Power supply · f = Frequency · n = Speed (rpm) · P_e = Power consumption · I = Current draw · LpA_{in} = Sound pressure level intake side · LwA_{in} = Sound power level intake side
LwA_{out} = Sound power level outlet side · qv = Air flow · p_{fs} = Pressure increase

