

W4D500-GD03-01 ebmpapst Datasheet
sales@fansco.com
www.fansco.com

Nominal data

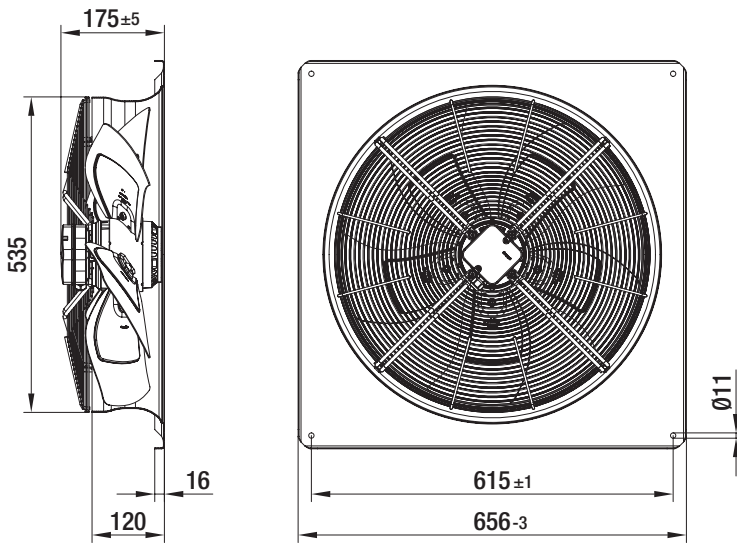
Type	W4D500-GD03-01				
Motor	M4D110-GF				
Phase		3~	3~	3~	3~
Nominal voltage	[V]	400	400	480	480
Connection		D	Y	D	Y
Frequency	[Hz]	50	50	60	60
Type of data definition		ml	ml	ml	ml
Valid for approval / standard		CE	CE	CE	CE
Speed	[min ⁻¹]	1325	1035	1570	1170
Power input	[W]	820	550	1220	770
Current draw	[A]	1,59	0,95	1,86	1,13
Max. back pressure	[Pa]	160	100	150	84
Max. ambient temperature	[°C]	80	80	50	50
Air flow	[m ³ /h]	9590	8120	11300	8970
Back pressure	[Pa]	0	0	0	0
Sound pressure level	[dB(A)]	71		74	

ml = max. load · me = max. efficiency · rfa = running at free air · cs = customer specs · cu = customer unit
 Subject to alterations

Technical features

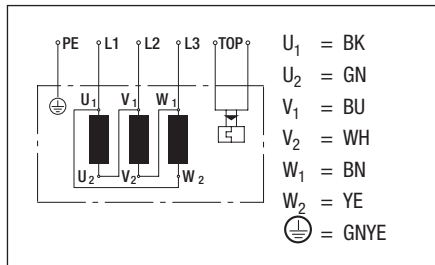
Size	500 mm
Operation mode	Continuous operation (S1)
Direction of rotation	Counter-clockwise, seen on rotor
Electrical leads	Via terminal box
Direction of air flow	"V"
Insulation class	"F"
Cable exit	Axial
Bearing motor	Ball bearing
Mass	21 kg
Material of electronics housing	Rotor: Cast in aluminum
Material of impeller	Aluminum sheet
Motor protection	Thermal overload protector (TOP) brought out
Product conforming to standard	CE
Number of blades	5
Type of protection	IP 54
Protection class	I
Approval	GOST; VDE

Product drawing

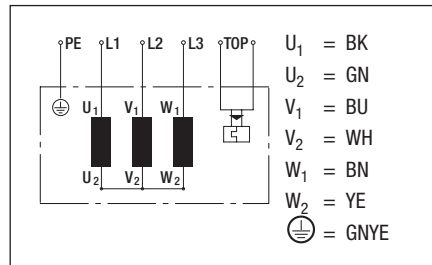


Connection screen

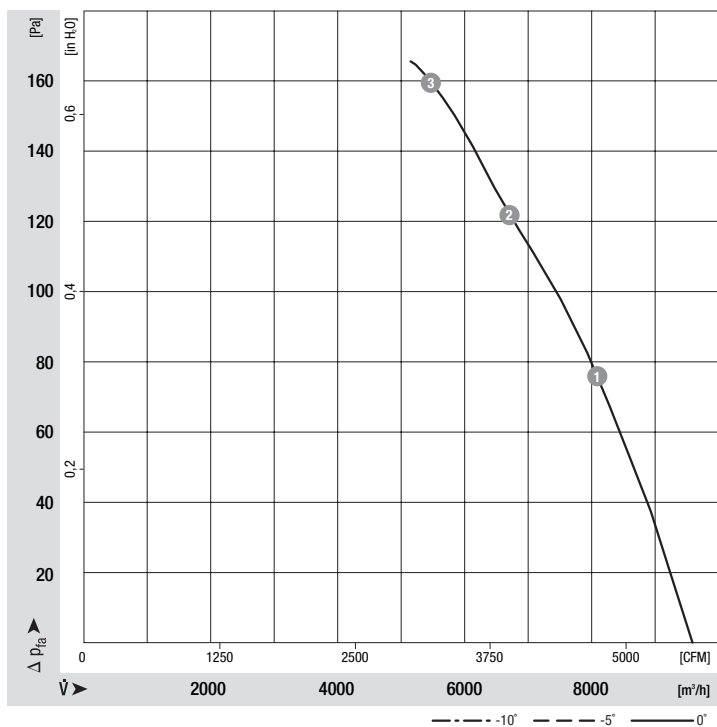
Delta



Star



Charts: Air flow



Measured values

	n	P ₁	I	LwA _{ss}
	[min ⁻¹]	[W]	[A]	[dB(A)]
1	1355	1	1.39	77
2	1345	75	1.44	78
3	1325	820	1.59	80