

AC axial fan

sickled blades (S series)

with full round nozzle



W4D450-GA14-02 ebmpapst Datasheet

sales@fansco.com

www.fansco.com

Nominal data

Type	W4D450-GA14-02				
Motor	M4D094-HA				
Phase		3~	3~	3~	3~
Nominal voltage	[V]	400	400	400	400
Connection		D	Y	D	Y
Frequency	[Hz]	50	50	60	60
Type of data definition		ml	ml	ml	ml
Valid for approval / standard		CE	CE	CE	CE
Speed	[min ⁻¹]	1330	1000	1540	1060
Power input	[W]	585	390	660	400
Current draw	[A]	1.1	0.67	1.16	0.7
Max. back pressure	[Pa]	200	110	110	55
Max. ambient temperature	[°C]	70	70	50	50

ml = max. load · me = max. efficiency · rfa = running at free air · cs = customer specs · cu = customer unit
Subject to alterations

AC axial fan

sickled blades (S series)

with full round nozzle

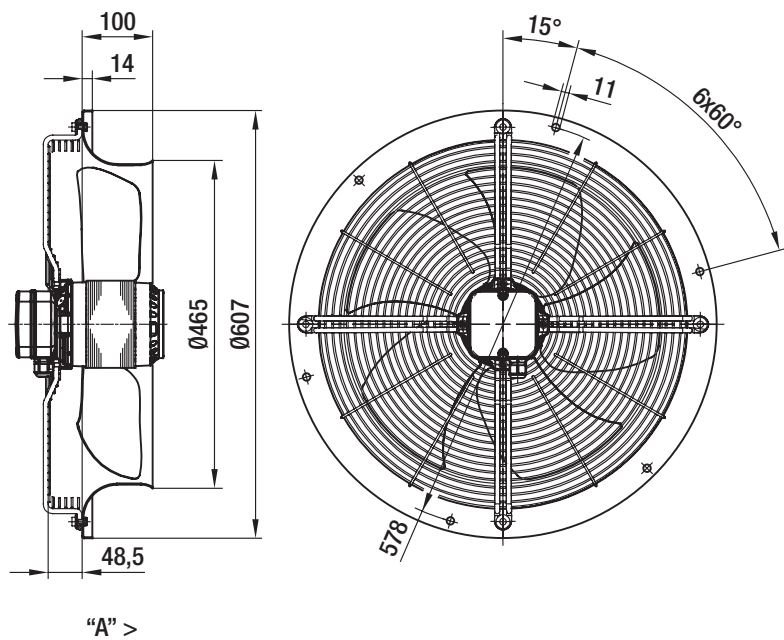
Technical features

Leakage current	<= 3,5 mA
Size	450 mm
Operation mode	Continuous operation (S1)
Direction of rotation	Clockwise, seen on rotor
Electrical leads	Via terminal box
Humidity class	F3-1
Direction of air flow	"A"
Insulation class	"F"
Bearing motor	Ball bearing
Mass	7.9 kg
Material of electronics housing	Rotor: Coated in black
Material of impeller	Sheet steel, coated in black
Motor protection	Thermal overload protector (TOP) brought out
Product conforming to standard	CE
Number of blades	5
Type of protection	IP 54
Protection class	I

AC axial fan

sickled blades (S series)
with full round nozzle

Product drawing

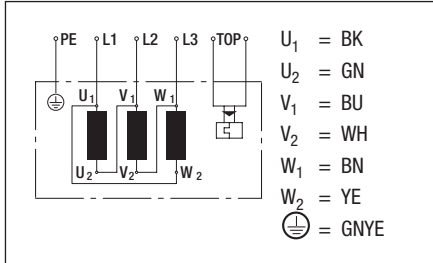


AC axial fan

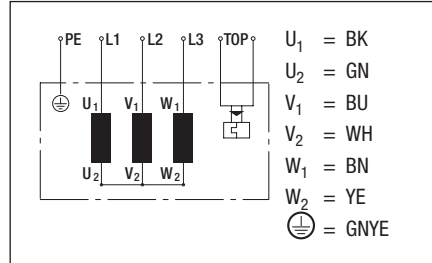
sickled blades (S series)
with full round nozzle

Connection screen

Delta



Star

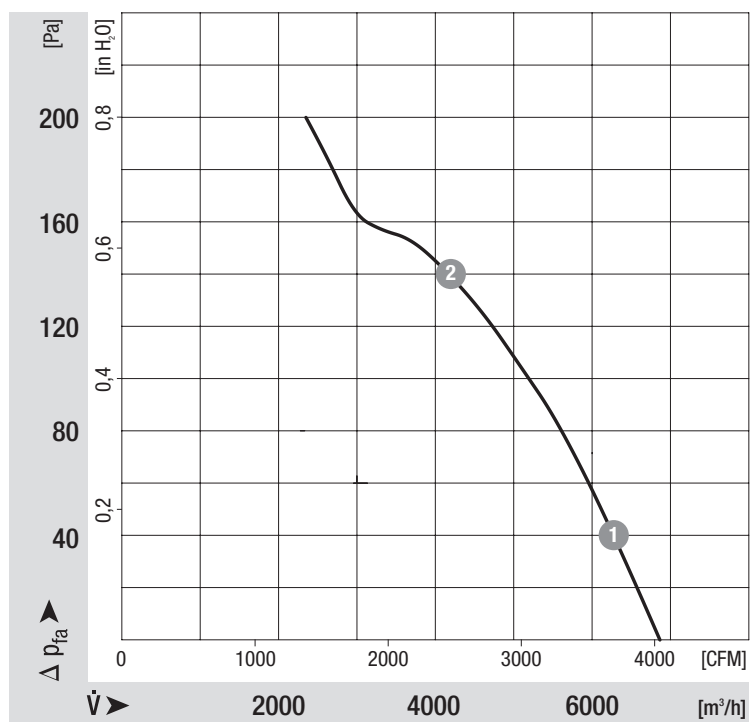


AC axial fan

sickled blades (S series)

with full round nozzle

Charts: Air flow 50 Hz



Measured values

	n	P ₁	I
	[min ⁻¹]	[W]	[A]
1	1400	392	0.89
2	1370	476	0.98

AC axial fan

sickled blades (S series)
with full round nozzle

Charts: Air flow 60 Hz

