

# AC axial fan

sickle-shaped blades (S series)

Fan housing with guard grille

W4D315-CS10-30 ebmpapst Datasheet

sales@fansco.com

www.fansco.com

## Nominal data

Type	W4D315-CS10-30		
Motor	M4D068-DF		
Phase		3~	3~
Nominal voltage	VAC	400	400
Wiring		Y	Y
Frequency	Hz	50	60
Method of obtaining data		ml	ml
Valid for approval/standard		-	-
Speed (rpm)	min <sup>-1</sup>	1330	1460
Power consumption	W	100	135
Current draw	A	0.25	0.25
Max. back pressure	Pa	65	80
Max. back pressure	in. wg	0.26	0.32
Min. ambient temperature	°C	-25	-25
Max. ambient temperature	°C	65	70
Starting current	A	0.63	0.62

ml = Max. load · me = Max. efficiency · fa = Free air · cs = Customer specification · ce = Customer equipment  
Subject to change



# AC axial fan

sickle-shaped blades (S series)

Fan housing with guard grille

## Technical description

<b>Weight</b>	4.9 kg
<b>Fan size</b>	315 mm
<b>Rotor surface</b>	Painted black
<b>Blade material</b>	Press-fitted sheet steel blank, sprayed with PP plastic
<b>Fan housing material</b>	Sheet steel, galvanized and coated with black plastic (RAL 9005)
<b>Guard grille material</b>	Steel, coated with black plastic (RAL 9005)
<b>Number of blades</b>	5
<b>Airflow direction</b>	"V"
<b>Direction of rotation</b>	Counterclockwise, viewed toward rotor
<b>Degree of protection</b>	IP44; installation- and position-dependent as per EN 60034-5
<b>Insulation class</b>	"F"
<b>Moisture (F) / Environmental (H) protection class</b>	H1
<b>Max. permitted ambient temp. for motor (transport/storage)</b>	+ 80 °C
<b>Min. permitted ambient temp. for motor (transport/storage)</b>	- 40 °C
<b>Installation position</b>	Shaft horizontal or rotor on bottom; rotor on top on request
<b>Condensation drainage holes</b>	On rotor side
<b>Mode</b>	S1
<b>Motor bearing</b>	Ball bearing
<b>Touch current according to IEC 60990 (measuring circuit Fig. 4, TN system)</b>	< 0.75 mA
<b>With cable</b>	Axial
<b>Protection class</b>	I (with customer connection of protective earth)
<b>Conformity with standards</b>	EN 60335-1, motor does not have factory-installed overheating protection



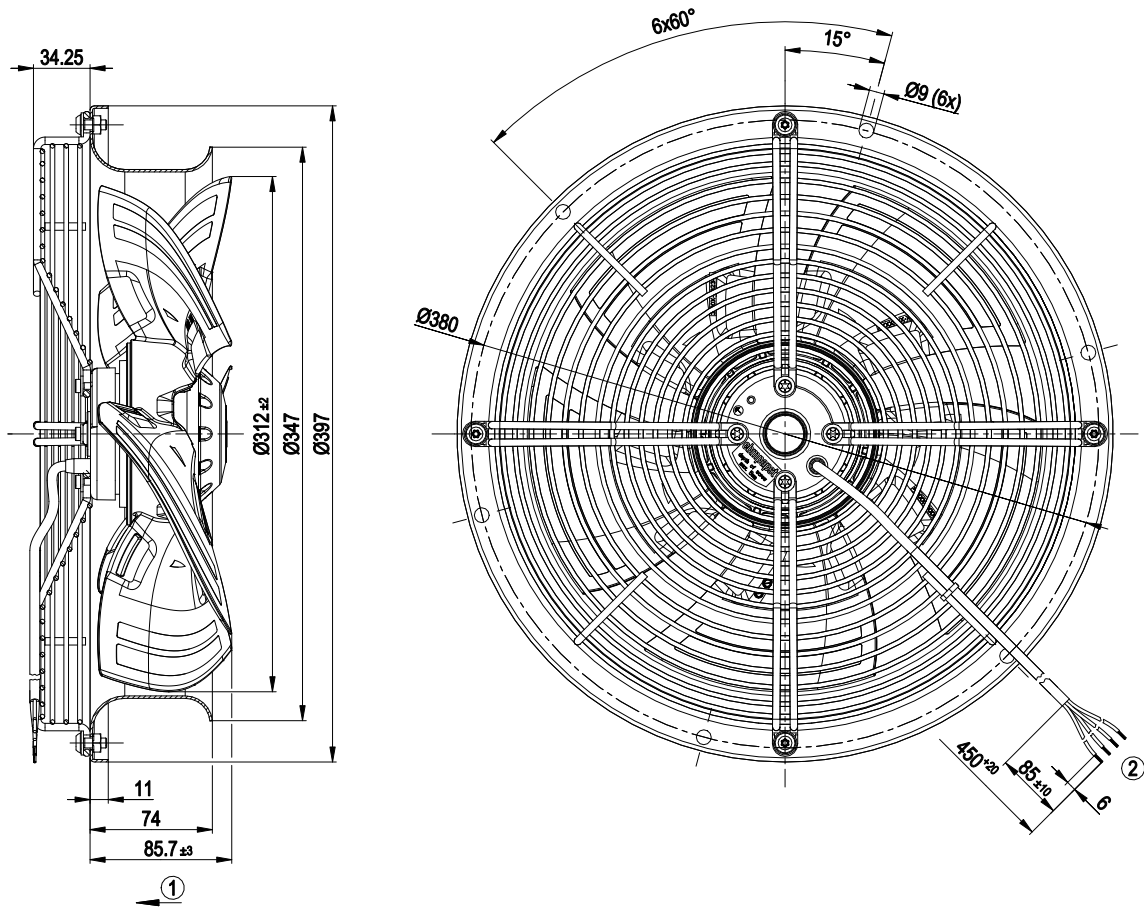
W4D315-CS10-30

# AC axial fan

sickle-shaped blades (S series)

Fan housing with guard grille

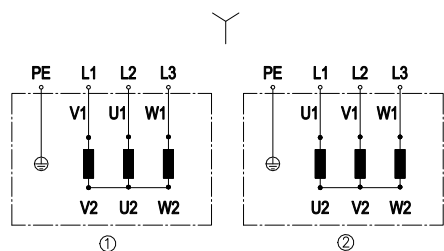
## Product drawing



- |   |  |
|---|--|
| 1 | Direction of air flow "V"                                  |
| 2 | Cable silicone 4G 0.5 mm <sup>2</sup> , 4x crimped splices |



## Connection diagram



Change of rotation direction by reversing two phases

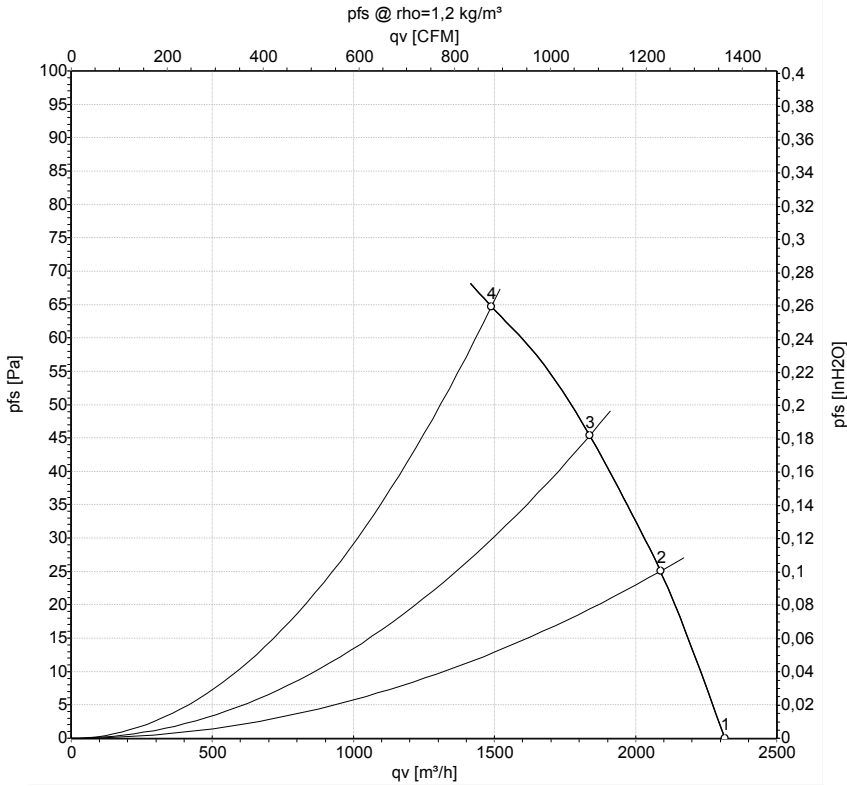
	Three-phase motor
Y	Star connection
1	Counterclockwise operation
L1	= V1 = blue
L2	= U1 = black
L3	= W1 = brown
2	Clockwise operation
L1	= U1 = black
L2	= V1 = blue
L3	= W1 = brown
PE	green/yellow

# AC axial fan

sickle-shaped blades (S series)

Fan housing with guard grille

## Curves: Air performance 50 Hz



Measurement: LU-160546-1

Air performance measured according to ISO 5801 installation category A. For detailed information on the measurement setup, contact ebm-papst. Intake sound level: Sound power level according to ISO 13347 / sound pressure level measured at 1 m distance from fan axis. The values given are valid under the specified measuring conditions and may vary due to conditions of installation. For deviations from the standard configuration, the parameters have to be checked on the installed unit.

## Measured values

	Wired	U	f	n	P <sub>e</sub>	I	LpA <sub>in</sub>	LwA <sub>in</sub>	q <sub>v</sub>	p <sub>fs</sub>	q <sub>v</sub>	p <sub>fs</sub>
		V	Hz	min <sup>-1</sup>	W	A	dB(A)	dB(A)	m <sup>3</sup> /h	Pa	cfm	in. wg
1	Y	400	50	1375	84	0.24	57	63	2315	0	1365	0.00
2	Y	400	50	1360	90	0.24	54	61	2090	25	1230	0.10
3	Y	400	50	1350	94	0.24	51	58	1840	45	1080	0.18
4	Y	400	50	1330	100	0.25	50	58	1490	65	875	0.26

Wired = Wiring · U = Power supply · f = Frequency · n = Speed (rpm) · P<sub>e</sub> = Power consumption · I = Current draw · LpA<sub>in</sub> = Sound pressure level intake side · LwA<sub>in</sub> = Sound power level intake side  
 q<sub>v</sub> = Air flow · p<sub>fs</sub> = Pressure increase

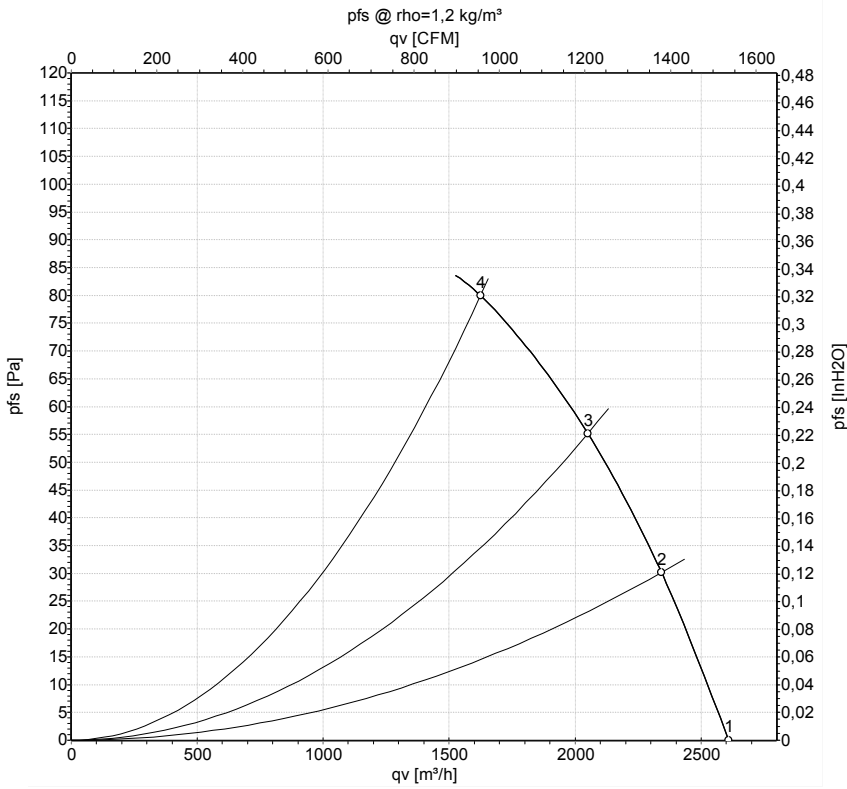


# AC axial fan

sickle-shaped blades (S series)

Fan housing with guard grille

## Curves: Air performance 60 Hz



Measurement: LU-160727-1

Air performance measured according to ISO 5801 installation category A. For detailed information on the measurement setup, contact ebm-papst. Intake sound level: Sound power level according to ISO 13347 / sound pressure level measured at 1 m distance from fan axis. The values given are valid under the specified measuring conditions and may vary due to conditions of installation. For deviations from the standard configuration, the parameters have to be checked on the installed unit.

## Measured values

	Wired	U	f	n	P <sub>e</sub>	I	LpA <sub>in</sub>	LwA <sub>in</sub>	q <sub>v</sub>	p <sub>fs</sub>	q <sub>v</sub>	p <sub>fs</sub>
		V	Hz	min <sup>-1</sup>	W	A	dB(A)	dB(A)	m <sup>3</sup> /h	Pa	cfm	in. wg
1	Y	400	60	1545	108	0.22	59	66	2610	0	1535	0.00
2	Y	400	60	1520	116	0.23	57	64	2345	30	1380	0.12
3	Y	400	60	1495	122	0.23	55	61	2050	55	1205	0.22
4	Y	400	60	1460	135	0.25	53	61	1625	80	955	0.32

Wired = Wiring · U = Power supply · f = Frequency · n = Speed (rpm) · P<sub>e</sub> = Power consumption · I = Current draw · LpA<sub>in</sub> = Sound pressure level intake side · LwA<sub>in</sub> = Sound power level intake side  
 q<sub>v</sub> = Air flow · p<sub>fs</sub> = Pressure increase

