

# AC axial fan

sickle-shaped blades (S series), single-intake

Fan housing with guard grille

W4D200-CI16-01 ebmpapst Datasheet

sales@fansco.com

www.fansco.com

## Nominal data

Type	W4D200-CI16-01				
Motor	M4D068-BF				
Phase		3~	3~	3~	3~
Nominal voltage	VAC	230	230	400	400
Wiring		Δ	Δ	Y	Y
Frequency	Hz	50	60	50	60
Method of obtaining data		fa	fa	fa	fa
Valid for approval/standard		-	-	-	-
Speed (rpm)	min <sup>-1</sup>	1440	1680	1440	1680
Power consumption	W	23	22	23	22
Current draw	A	0.12	0.1	0.07	0.06
Max. back pressure	Pa	60	75	60	75
Max. back pressure	in. wg	0.24	0.3	0.24	0.3
Min. ambient temperature	°C	-25	-25	-25	-25
Max. ambient temperature	°C	65	85	65	85
Starting current	A	0.13	0.13	0.13	0.13

ml = Max. load · me = Max. efficiency · fa = Free air · cs = Customer specification · ce = Customer equipment  
Subject to change



# AC axial fan

sickle-shaped blades (S series), single-intake

Fan housing with guard grille

## Technical description

Weight	2.1 kg
Size	200 mm
Motor size	68
Rotor surface	Painted black
Blade material	Sheet steel, painted black
Fan housing material	Sheet steel, galvanized and coated with black plastic (RAL 9005)
Guard grille material	Steel, coated with black plastic (RAL 9005)
Number of blades	9
Airflow direction	A
Direction of rotation	Counterclockwise, viewed toward rotor
Degree of protection	IP44; installation- and position-dependent as per EN 60034-5
Insulation class	"B"
Moisture (F) / Environmental (H) protection class	H1
Max. permitted ambient temp. for motor (transport/storage)	+ 80 °C
Min. permitted ambient temp. for motor (transport/storage)	- 40 °C
Installation position	Shaft horizontal or rotor on bottom; rotor on top on request
Condensation drainage holes	On rotor side
Mode	S1
Motor mounting	Ball bearing
Touch current according to IEC 60990 (measuring circuit Fig. 4, TN system)	< 0.75 mA
With cable	Lateral
Protection class	I (with customer connection of protective earth)
Conformity with standards	EN 60335-1, motor does not have factory-installed overheating protection; CE

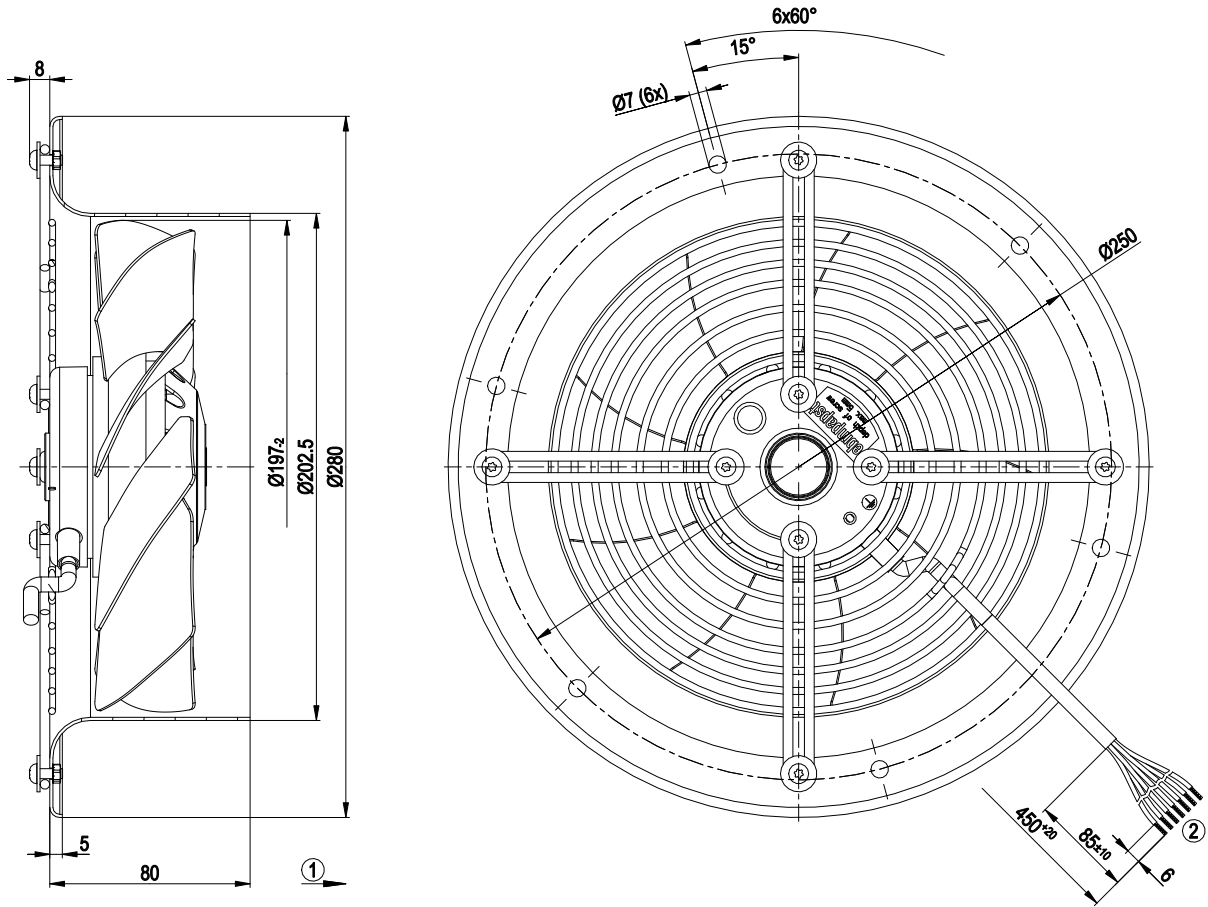


# AC axial fan

sickle-shaped blades (S series), single-intake

Fan housing with guard grille

## Product drawing



- 1 Direction of air flow "A"
- 2 Cable PFA AWG20, 7x crimped splices

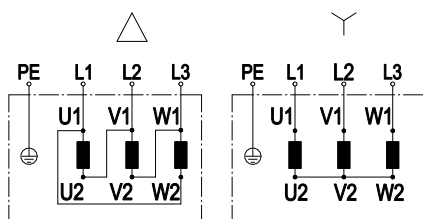


# AC axial fan

sickle-shaped blades (S series), single-intake

Fan housing with guard grille

## Connection diagram



Change of rotation direction by reversing two phases

	Three-phase motor	Δ	Delta connection	Y	Star connection
L1	= U1 = black	L2	= V1 = blue	L3	= W1 = brown
U2	green	V2	white	W2	yellow
PE	green/yellow				

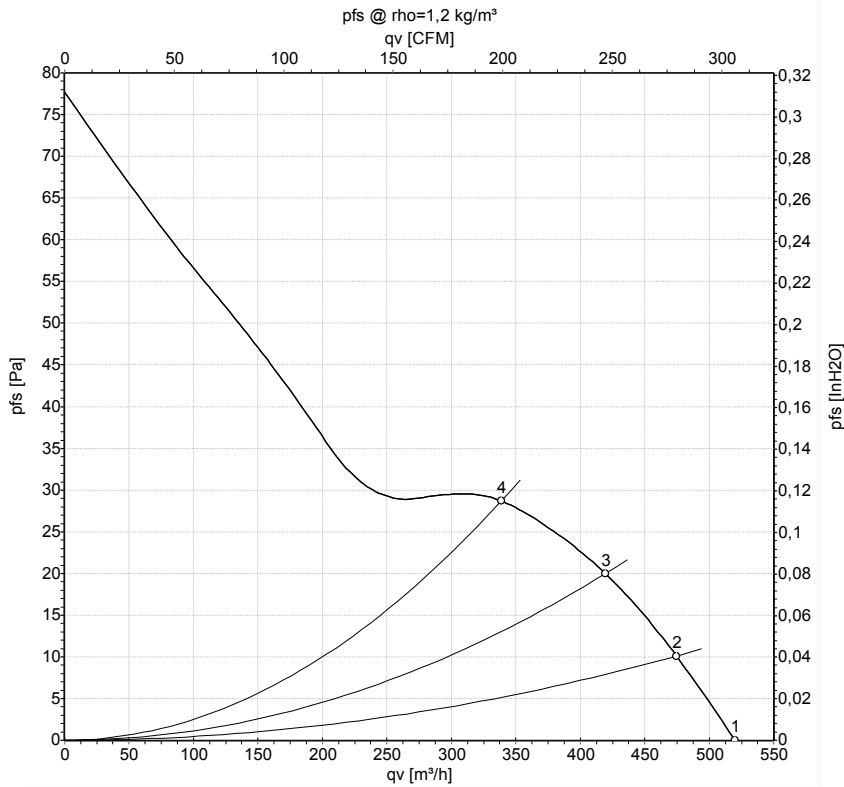


# AC axial fan

sickle-shaped blades (S series), single-intake

Fan housing with guard grille

## Curves: Air performance 50 Hz



Measurement: LU-57551-1

Air performance measured according to ISO 5801 installation category A. For detailed information on the measurement setup, contact ebm-papst. Intake sound level: Sound power level according to ISO 13347 / sound pressure level measured at 1 m distance from fan axis. The values given are valid under the specified measuring conditions and may vary due to conditions of installation. For deviations from the standard configuration, the parameters have to be checked on the installed unit.

## Measured values

	U	f	n	P <sub>e</sub>	I	q <sub>v</sub>	p <sub>fs</sub>	q <sub>v</sub>	p <sub>fs</sub>
	V	Hz	min <sup>-1</sup>	W	A	m <sup>3</sup> /h	Pa	cfm	in. wg
1	400	50	1440	23	0.07	520	0	305	0.00
2	400	50	1435	23	0.07	475	10	280	0.04
3	400	50	1425	24	0.07	420	20	245	0.08
4	400	50	1420	24	0.07	340	29	200	0.12

U = Power supply · f = Frequency · n = Speed (rpm) · P<sub>e</sub> = Power consumption · I = Current draw · q<sub>v</sub> = Air flow · p<sub>fs</sub> = Pressure increase

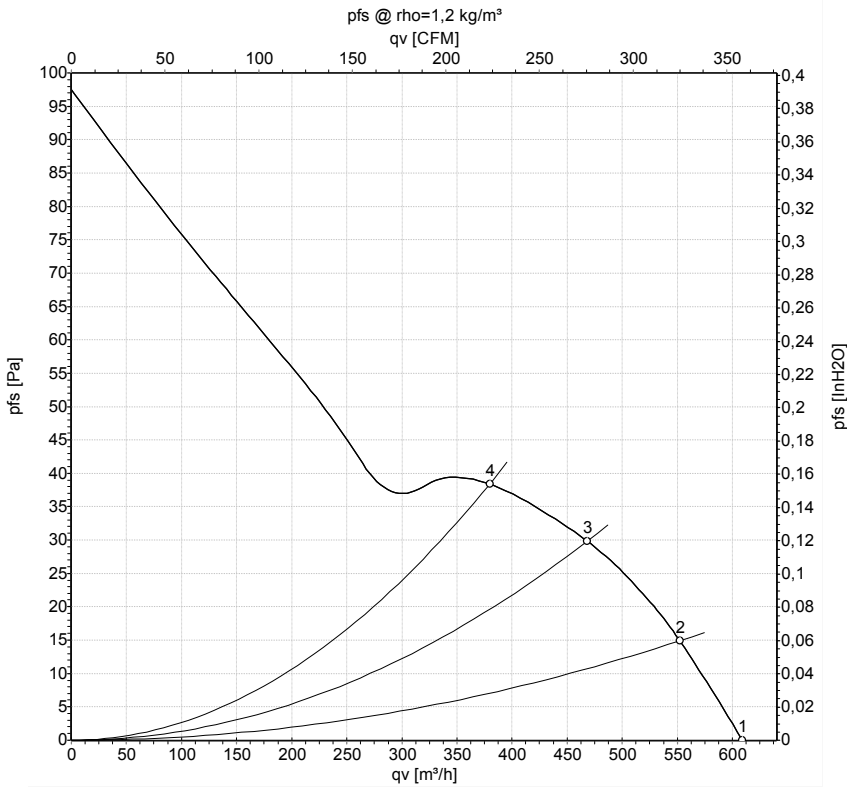


# AC axial fan

sickle-shaped blades (S series), single-intake

Fan housing with guard grille

## Curves: Air performance 60 Hz



Measurement: LU-57552-1

Air performance measured according to ISO 5801 installation category A. For detailed information on the measurement setup, contact ebm-papst. Intake sound level: Sound power level according to ISO 13347 / sound pressure level measured at 1 m distance from fan axis. The values given are valid under the specified measuring conditions and may vary due to conditions of installation. For deviations from the standard configuration, the parameters have to be checked on the installed unit.

## Measured values

	U	f	n	P <sub>e</sub>	I	q <sub>v</sub>	P <sub>fs</sub>	q <sub>v</sub>	P <sub>fs</sub>
	V	Hz	min <sup>-1</sup>	W	A	m <sup>3</sup> /h	Pa	cfm	in. wg
1	400	60	1680	22	0.06	610	0	360	0.00
2	400	60	1665	22	0.06	550	15	325	0.06
3	400	60	1640	23	0.06	470	30	275	0.12
4	400	60	1635	24	0.06	380	39	225	0.16

U = Power supply · f = Frequency · n = Speed (rpm) · P<sub>e</sub> = Power consumption · I = Current draw · q<sub>v</sub> = Air flow · P<sub>fs</sub> = Pressure increase

