

W3G710-CH06-84

Siemens AG Trafo

EC axial fan

sickled blades (S series)

with full round nozzle

W3G710-CH06-84 ebmpapst Datasheet

sales@fansco.com

www.fansco.com

Limited partnership · Headquarters Muldingen
County court Stuttgart · HRA 590344

General partner: Elektrobau Muldingen GmbH · Headquarters Muldingen
County court Stuttgart · HRB 590142



Nominal data

Type	W3G710-CH06-84	
Motor	M3G150-IF	
Phase		3~
Nominal voltage	VAC	400
Nominal voltage range	VAC	380 .. 480
Frequency	Hz	50/60
Type of data definition		fa
Speed	min ⁻¹	1240
Power input	W	2000
Current draw	A	3.1
Max. back pressure	Pa	245
Min. ambient temperature	°C	-25
Max. ambient temperature	°C	60

ml = max. load · me = max. efficiency · fa = running at free air · cs = customer specs · cu = customer unit
Subject to alterations

Data according to ErP directive

Installation category	A
Efficiency category	Static
Variable speed drive integrated	Integrated
Specific ratio*	1,00

* Specific ratio = $1 + p_b / 100\,000\text{ Pa}$

	Actual	Request 2013	Request 2015
Overall efficiency η_{es}	41,5	32,5	36,5
Efficiency grade N	45	36	40
Power input P_{ed}	kW	2,78	
Air flow q_v	m ³ /h	16225	
Pressure increase p_{fs}	Pa	243	
Speed n	min ⁻¹	1250	

Data established at point of optimum efficiency



W3G710-CH06-84

Siemens AG Trafo

EC axial fan

sickled blades (S series)

with full round nozzle

Technical features

Mass	41.9 kg
Size	710 mm
Surface of rotor	Coated in black
Material of electronics housing	Die-cast aluminium, coated in black
Material of blades	Die-cast aluminium, coated in black
Material of wall ring	Sheet steel, pre-galvanised and plastic-coated in cement grey (RAL 7033)
Material of guard grille	Steel, galvanised and plastic-coated in cement grey (RAL 7033)
Number of blades	5
Blade angle	0°
Direction of air flow	"V"
Direction of rotation	Clockwise, seen on rotor
Type of protection	IP 54
Insulation class	"F"
Humidity class	F5
Max. permissible ambient motor temp. (transp./ storage)	+80 °C
Min. permissible ambient motor temp. (transp./storage)	-40 °C
Mounting position	Shaft horizontal or rotor on top; rotor on bottom on request
Condensate discharge holes	On rotor and stator sides
Operation mode	S1
Motor bearing	Ball bearing
Technical features	<ul style="list-style-type: none">- Output 10 VDC, max. 10 mA- Output 20 VDC, max. 50 mA- Output for slave 0-10 V- Input for sensor 0-10 V or 4-20 mA- Alarm relay- Integrated PID controller- Cable break detection with control line- Emergency operation- PFC, passive- RS485 ebmBUS- Soft start- Control input 0-10 VDC / PWM- Control interface with SELV potential safely disconnected from the mains- Over-temperature protected electronics / motor- Line undervoltage / phase failure detection
EMC interference immunity	Acc. to EN 61000-6-2 (industrial environment)
EMC interference emission	Acc. to EN 61000-6-3 (household environment)
EMC harmonics	Acc. to EN 61000-3-2/3
Leakage current	<= 3.5 mA
Electrical leads	Via terminal box
Motor protection	Reverse polarity and locked-rotor protection
Protection class	I (if protective earth is connected by customer)
Product conforming to standard	EN 61800-5-1; CE
Approval	VDE

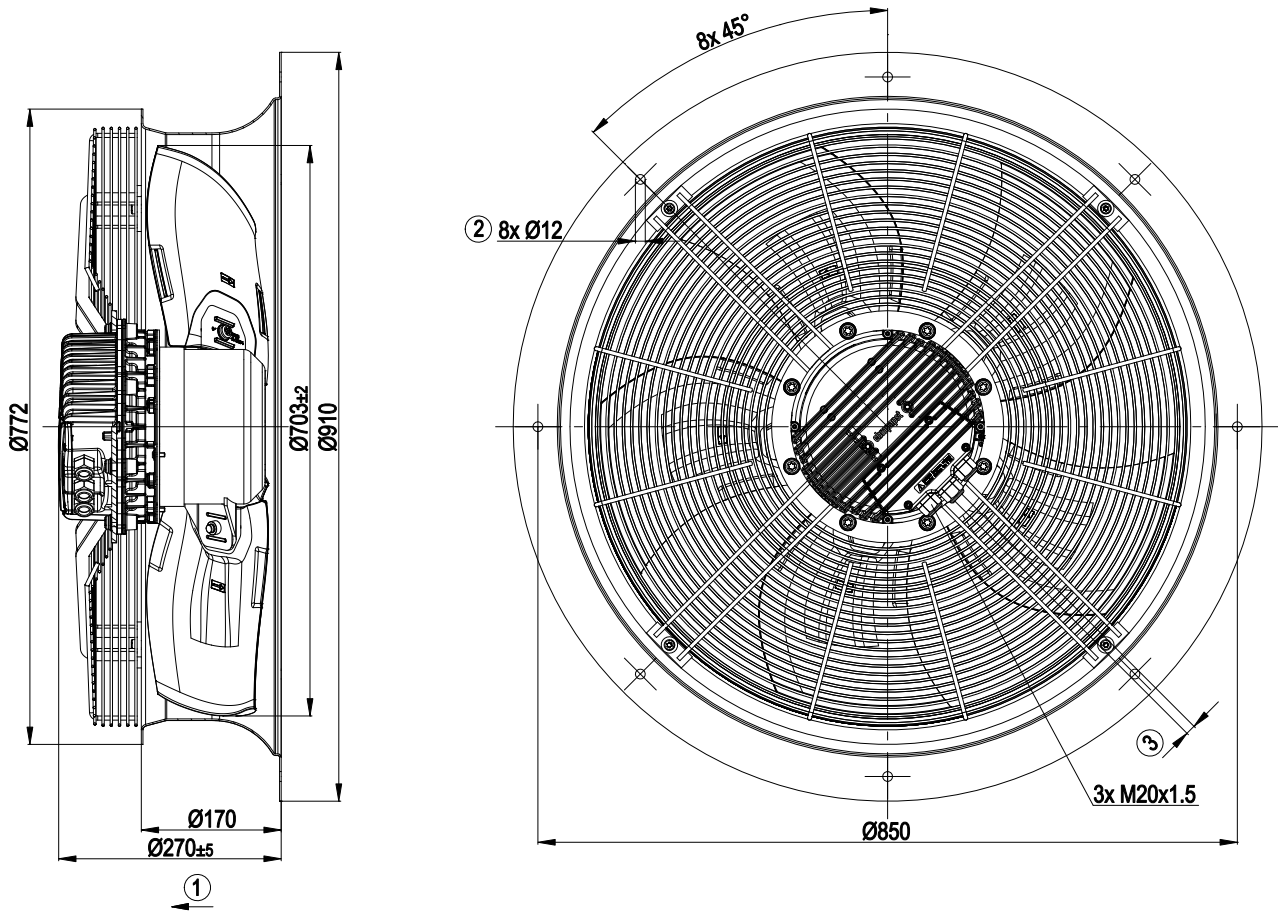


W3G710-CH06-84
Siemens AG Trafo

EC axial fan

sickled blades (S series)
with full round nozzle

Product drawing



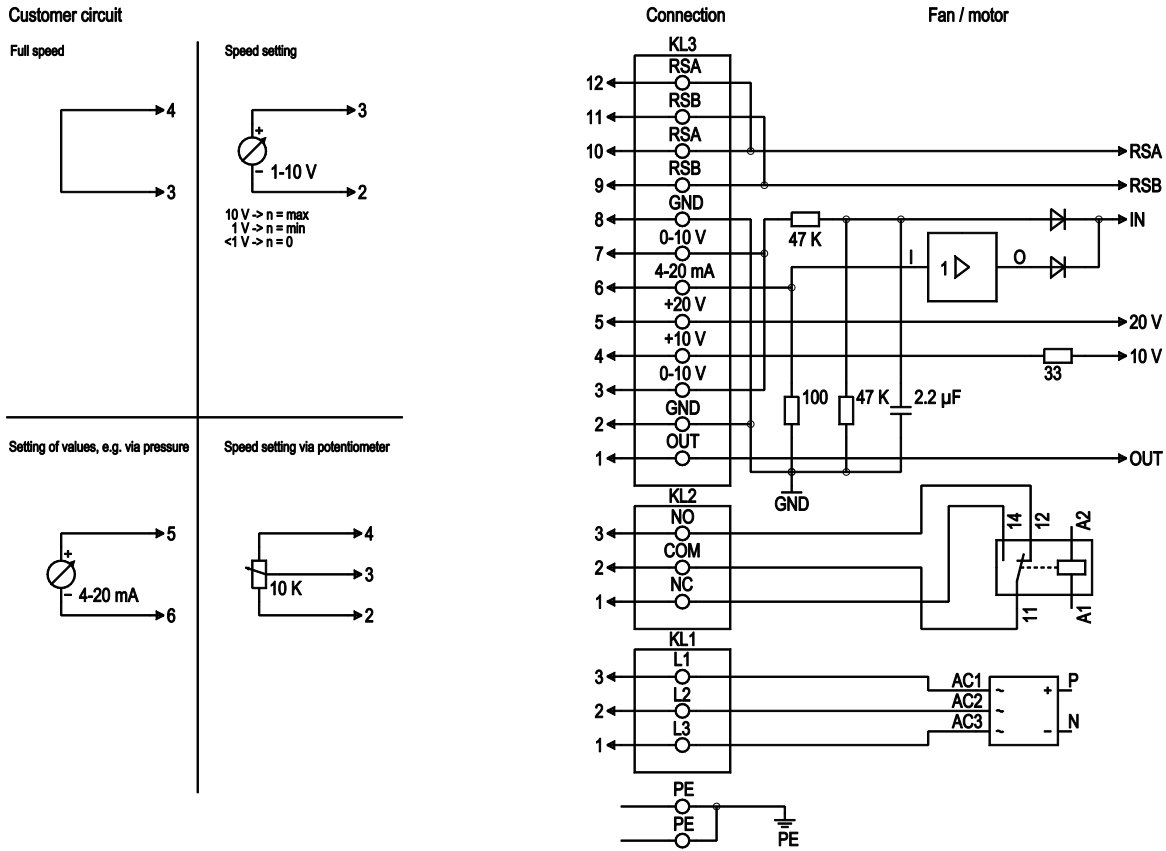
1	Direction of air flow "V"
2	Cable diameter: min. 4 mm, max. 10 mm; tightening torque: 4 ± 0.6 Nm
3	Tightening torque 3.5 ± 0.5 Nm



EC axial fan

sickled blades (S series)
with full round nozzle

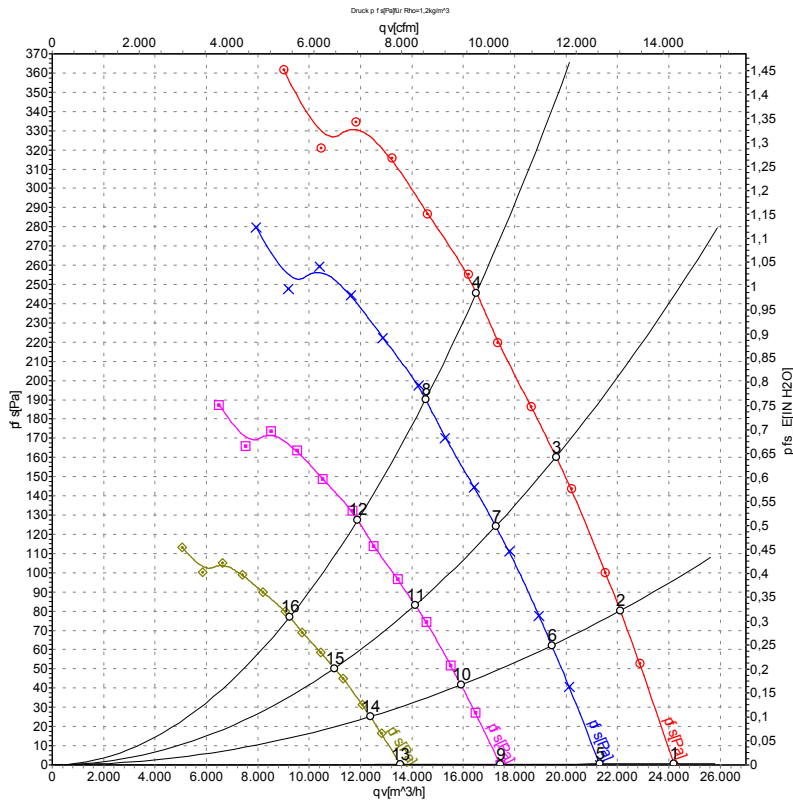
Connection screen



No.	Pin	Signal	Function / assignment
PE		PE	Protective earth connection
KL1	1, 2, 3	L1, L2, L3	Supply voltage, 50/60 Hz
KL2	1	NC	Floating status message contact, normally closed connection
KL2	2	COM	Floating status message contact, changeover contact, common connection (2 A, max. 250 VAC, min. 10 mA, AC1)
KL2	3	NO	Floating status message contact, normally open connection
KL3	1	OUT	Analog output, 0-10 VDC, max. 3 mA, SELV, output of the current level control coefficient: 1 V equates to 10 % level control coefficient. 10 V equate to 100 % level control coefficient.
KL3	2, 8	GND	Reference mass for control interface, SELV
KL3	3, 7	0-10 V	Use control / actual value input 0-10 VDC, impedance 100 kΩ only as alternative to 4-20 mA input, SELV
KL3	4	+10 V	Voltage output 10 VDC (+/-3 %), max. 10 mA, supply voltage for ext. devices (e.g. potentiometers), SELV
KL3	5	+20 V	Voltage output 20 VDC (+25 %/-10 %), max. 50 mA, supply voltage for ext. devices (e.g. sensors), SELV
KL3	6	4-20 mA	Use control / actual value input 4-20 mA, impedance 100 Ω, only as alternative to 0-10 V input, SELV
KL3	9, 11	RSB	RS485 interface for ebmBus, RSB, SELV
KL3	10, 12	RSA	RS485 interface for ebmBus, RSA, SELV



Charts: Air flow 50 Hz



Measurement: LU-112148

Air performance measured as per ISO 5801 Installation category A. For detailed information on the measuring set-up, please contact ebmpapst. Suction-side noise levels: LwA measured as per ISO 13347 / LpA measured with 1m distance to fan axis. The values given are valid under the measuring conditions mentioned above and may vary according to the actual installation situation. With any deviation from the standard set-up, the specific values have to be checked and reviewed with the unit installed.

Measured values

	U	f	n	P _{ed}	I	LpA _{in}	LwA _{in}	LwA _{out}	qv	p _{fs}
	V	Hz	min ⁻¹	W	A	dB(A)	dB(A)	dB(A)	m ³ /h	Pa
1	400	50	1240	2049	3.11	72	79	79	24190	0
2	400	50	1240	2264	3.44	72	78	79	22110	80
3	400	50	1240	2509	3.84	73	79	79	19610	160
4	400	50	1240	2750	4.20	76	82	82	16510	245
5	400	50	1100	1400	2.13	69	76	77	21310	0
6	400	50	1100	1541	2.34	69	75	76	19450	62
7	400	50	1100	1711	2.62	70	76	76	17260	124
8	400	50	1100	1879	2.87	73	79	79	14530	191
9	400	50	900	767	1.16	65	71	72	17430	0
10	400	50	900	844	1.28	65	71	72	15910	42
11	400	50	900	937	1.44	65	72	72	14120	83
12	400	50	900	1029	1.57	69	75	75	11890	128
13	400	50	700	361	0.55	59	66	67	13560	0
14	400	50	700	397	0.60	59	66	66	12380	25
15	400	50	700	441	0.68	60	66	66	10990	50
16	400	50	700	484	0.74	63	69	69	9245	77

