

# EC axial fan - HyBlade®

sickled blades (S series)

with full square nozzle

W3G630-GR85-01 ebmpapst Datasheet

sales@fansco.com

www.fansco.com

## Nominal data

Type	W3G630-GR85-01	
Motor	M3G112-IA	
Phase		3~
Nominal voltage	VAC	400
Nominal voltage range	VAC	380 .. 480
Frequency	Hz	50/60
Type of data definition		ml
Speed	min <sup>-1</sup>	1140
Power input	W	970
Current draw	A	1.6
Max. back pressure	Pa	170
Min. ambient temperature	°C	-25
Max. ambient temperature	°C	60

ml = Max. load · me = Max. efficiency · fa = Running at free air · cs = Customer specs · cu = Customer unit  
Subject to alterations

## Data according to ErP directive

Installation category	A
Efficiency category	Static
Variable speed drive	Yes
Specific ratio*	1.00

\* Specific ratio =  $1 + p_b / 100\,000\text{ Pa}$

		Actual	Request 2013	Request 2015
Overall efficiency $\eta_{es}$	%	45.1	29.6	33.6
Efficiency grade N		51.5	36	40
Power input $P_{ed}$	kW	0.97		
Air flow $q_v$	m <sup>3</sup> /h	8935		
Pressure increase $p_{fs}$	Pa	163		
Speed n	min <sup>-1</sup>	1155		

Data definition with optimum efficiency. LU-115687  
The ErP data is determined using a motor-impeller combination in a standardised measurement configuration.



## Technical features

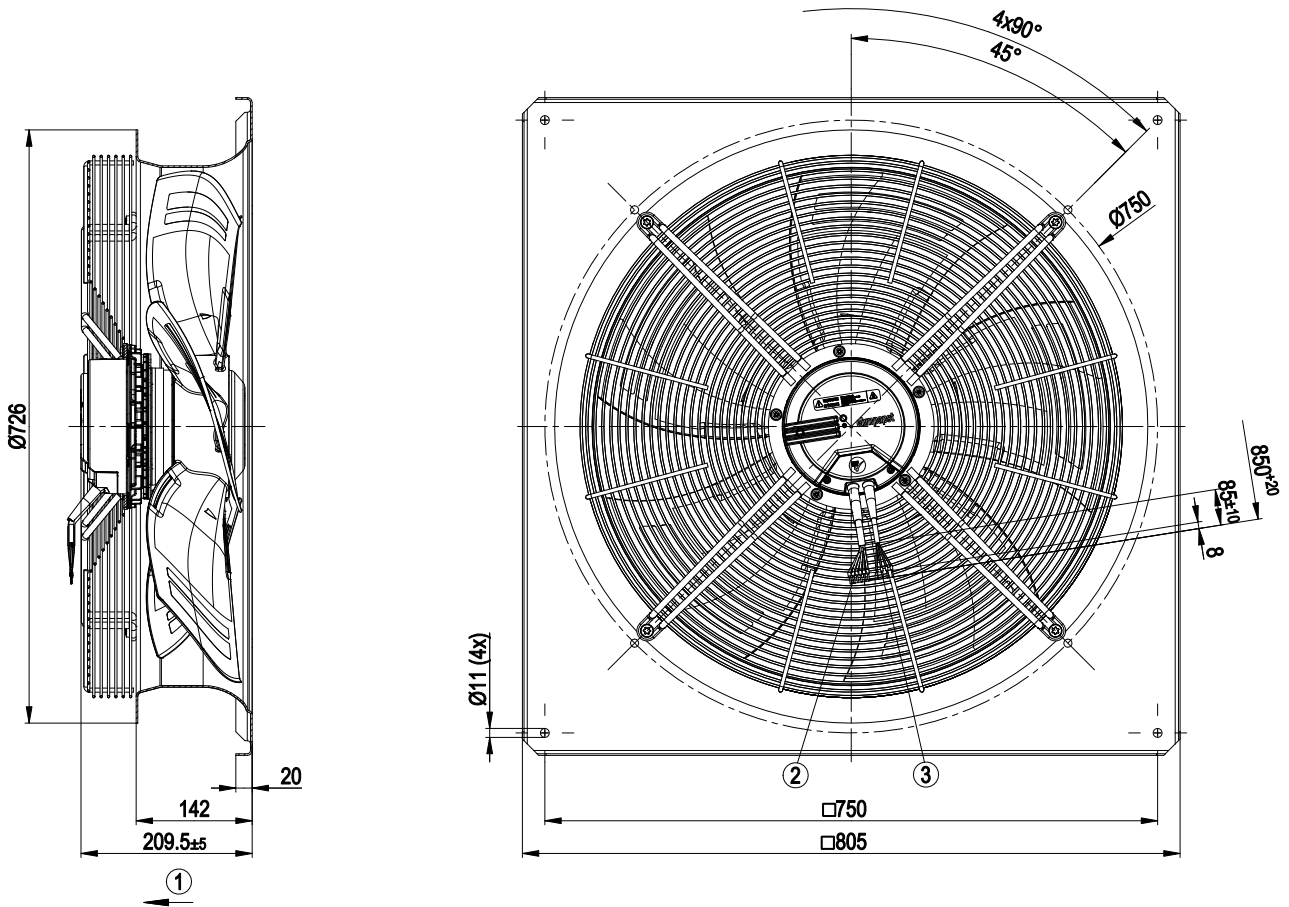
Mass	25.4 kg
Size	630 mm
Surface of rotor	Coated in black
Material of electronics housing	Die-cast aluminium, coated in black
Material of blades	Press-fitted sheet steel blank, sprayed with PP plastic
Material of wall ring	Sheet steel, pre-galvanised and coated in black plastic (RAL 9005)
Material of guard grille	Steel, coated in black plastic (RAL9005)
Number of blades	5
Blade angle	-5°
Direction of air flow	"V"
Direction of rotation	Counter-clockwise, seen on rotor
Type of protection	IP 54; Depending on installation and position as per EN 60034-5
Insulation class	"B"
Humidity class	F4-1
Max. permissible ambient motor temp. (transp./ storage)	+ 80 °C
Min. permissible ambient motor temp. (transp./storage)	- 40 °C
Mounting position	Shaft horizontal or rotor on bottom; rotor on top on request
Condensate discharge holes	Rotor-side
Operation mode	S1
Motor bearing	Ball bearing
Technical features	<ul style="list-style-type: none"> <li>- Output 10 VDC, max. 10 mA</li> <li>- Alarm relay</li> <li>- Integrated PID controller</li> <li>- Motor current limit</li> <li>- PFC, passive</li> <li>- Soft start</li> <li>- Control input 0-10 VDC / PWM</li> <li>- Control interface with SELV potential safely disconnected from the mains</li> <li>- Over-temperature protected electronics / motor</li> <li>- Line undervoltage / phase failure detection</li> </ul>
EMC interference immunity	Acc. to EN 61000-6-2 (industrial environment)
EMC harmonics	Acc. to EN 61000-3-2/3
EMC interference emission	Acc. to EN 55022 (Class B, household environment)
Touch current acc. IEC 60990 (measuring network Fig. 4, TN system)	<= 3.5 mA
Motor protection	Thermal overload protector (TOP) wired internally
Cable exit	Variable
Protection class	I (if protective earth is connected by customer)
Product conforming to standard	EN 61800-5-1; CE
Approval	CCC; EAC

# EC axial fan - HyBlade®

sickled blades (S series)

with full square nozzle

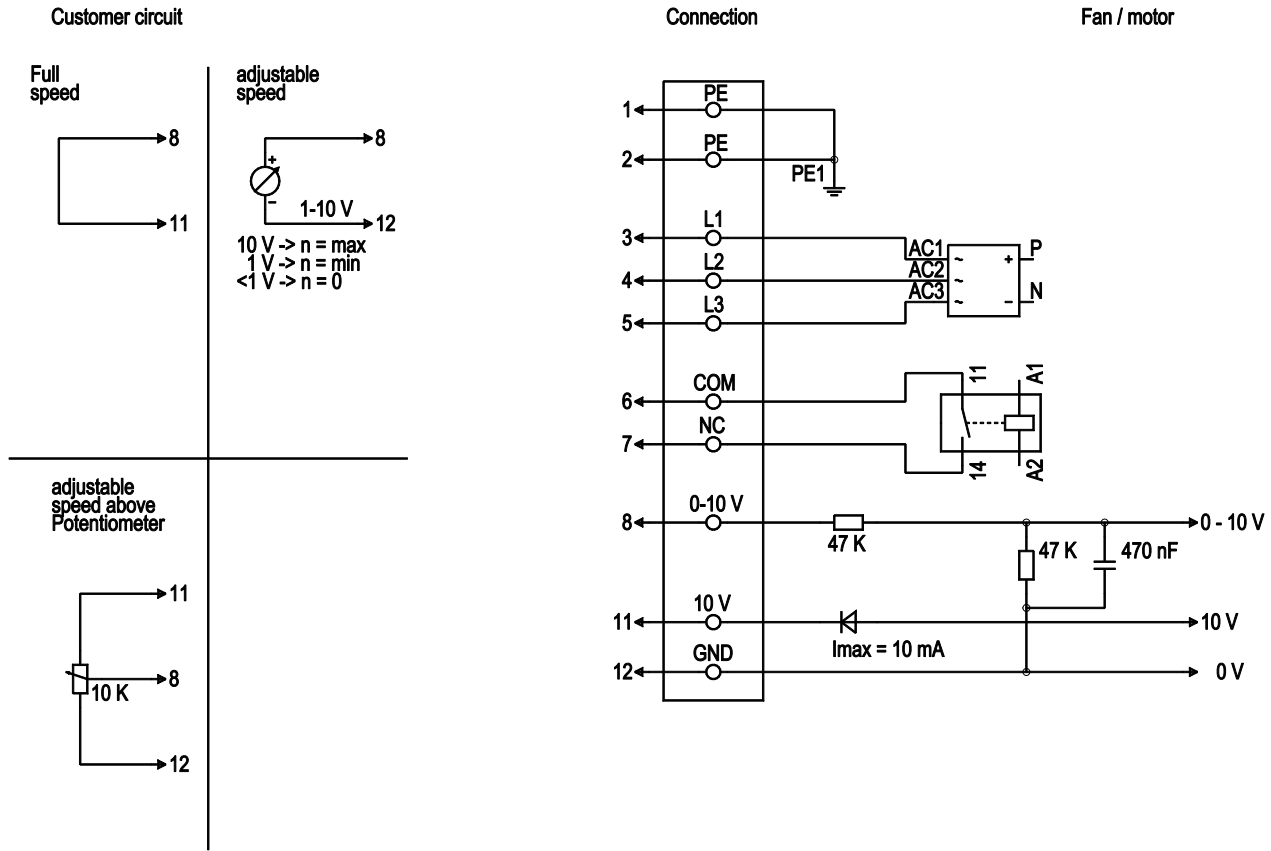
## Product drawing



1	Direction of air flow "V"
2	Connection line PVC AWG18, 6x crimped core-end sleeves
3	Connection line PVC AWG22, 4x crimped core-end sleeves

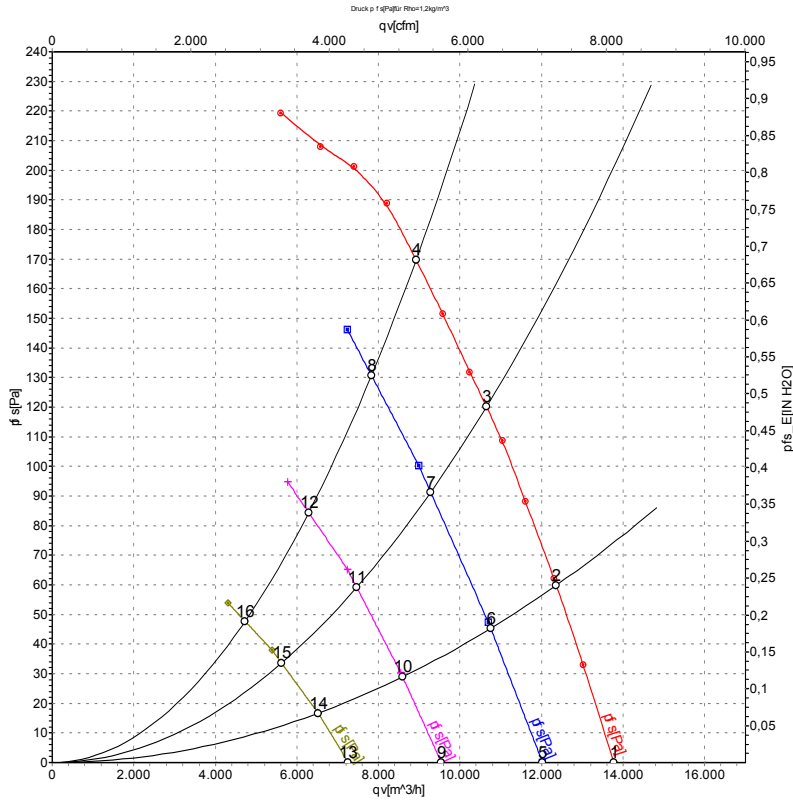


## Connection screen



No.	Conn.	Designation	Colour	Function / assignment
1	1, 2	PE	green/yellow	Protective earth
1	3, 4, 5	L1, L2, L3	black	Supply voltage 50 / 60 Hz
1	6	COM	white 1	Floating status contact, break for failure (2 A, max. 250 VAC, min. 10 mA, AC1)
1	7	NC	white 2	Floating status message contact, break for failure
2	8	0 - 10 V	yellow	Control input, set value 0 - 10 VDC, impedance 100 kOhm, SELV
2	11	+ 10 V	red	Voltage output 10 VDC (+/-3%), max. 10 mA, supply voltage for ext. devices (e.g. potentiometer), SELV
2	12	GND	blue	Reference mass for control interface, SELV

## Charts: Air flow 50 Hz



Measurement: LU-115687  
 Measurement: LU-118125  
 Measurement: LU-118126  
 Measurement: LU-118127

Air performance measured as per ISO 5801 Installation category A. For detailed information on the measuring set-up, please contact ebm-papst. Suction-side noise levels: L<sub>wA</sub> measured as per ISO 13347 / L<sub>pA</sub> measured with 1m distance to fan axis. The values given are valid under the measuring conditions mentioned above and may vary according to the actual installation situation. With any deviation from the standard set-up, the specific values have to be checked and reviewed with the unit installed.

## Measured values

	U	f	n	P <sub>ed</sub>	I	LpA <sub>in</sub>	LwA <sub>in</sub>	LwA <sub>out</sub>	qv	p <sub>fs</sub>
	V	Hz	min <sup>-1</sup>	W	A	dB(A)	dB(A)	dB(A)	m <sup>3</sup> /h	Pa
1	400	50	1140	642	1.02	67	74	74	13770	0
2	400	50	1140	775	1.25	64	71	71	12360	60
3	400	50	1140	892	1.42	66	72	71	10650	120
4	400	50	1140	970	1.60	68	74	73	8920	170
5	400	50	1000	406	0.75	64	71	70	12020	0
6	400	50	1000	490	0.86	61	68	67	10750	45
7	400	50	1000	564	0.95	62	69	68	9280	91
8	400	50	1000	626	1.05	63	70	69	7830	131
9	400	50	800	224	0.45	59	65	65	9540	0
10	400	50	800	270	0.53	56	62	62	8595	29
11	400	50	800	300	0.58	56	63	62	7470	59
12	400	50	800	331	0.64	57	64	64	6290	84
13	400	50	600	109	0.25	52	59	58	7255	0
14	400	50	600	124	0.28	50	56	56	6520	17
15	400	50	600	139	0.31	50	56	56	5625	34
16	400	50	600	152	0.33	50	57	57	4730	48

U = Supply voltage · f = Frequency · n = Speed · P<sub>ed</sub> = Power input · I = Current draw · LpA<sub>in</sub> = Sound pressure level inlet side · LwA<sub>in</sub> = Sound power level inlet side · LwA<sub>out</sub> = Sound power level outlet side  
 qv = Air flow · p<sub>fs</sub> = Pressure increase

