

# EC axial panel fan - HyBlade

sickle-shaped blades (S series), single-intake

Fan housing with guard grille

W3G300-CK13-31 ebmpapst Datasheet

sales@fansco.com

www.fansco.com

## Nominal data

Type	W3G300-CK13-31	
Motor	M3G055-CF	
Phase		1~
Nominal voltage	VAC	230
Nominal voltage range	VAC	200 .. 240
Frequency	Hz	50/60
Method of obtaining data		ml
Speed (rpm)	min <sup>-1</sup>	1500
Power consumption	W	85
Current draw	A	0.8
Max. back pressure	Pa	85
Max. back pressure	in. wg	0.34
Min. ambient temperature	°C	-25
Max. ambient temperature	°C	60

ml = Max. load · me = Max. efficiency · fa = Free air · cs = Customer specification · ce = Customer equipment  
Subject to change

### Technical description

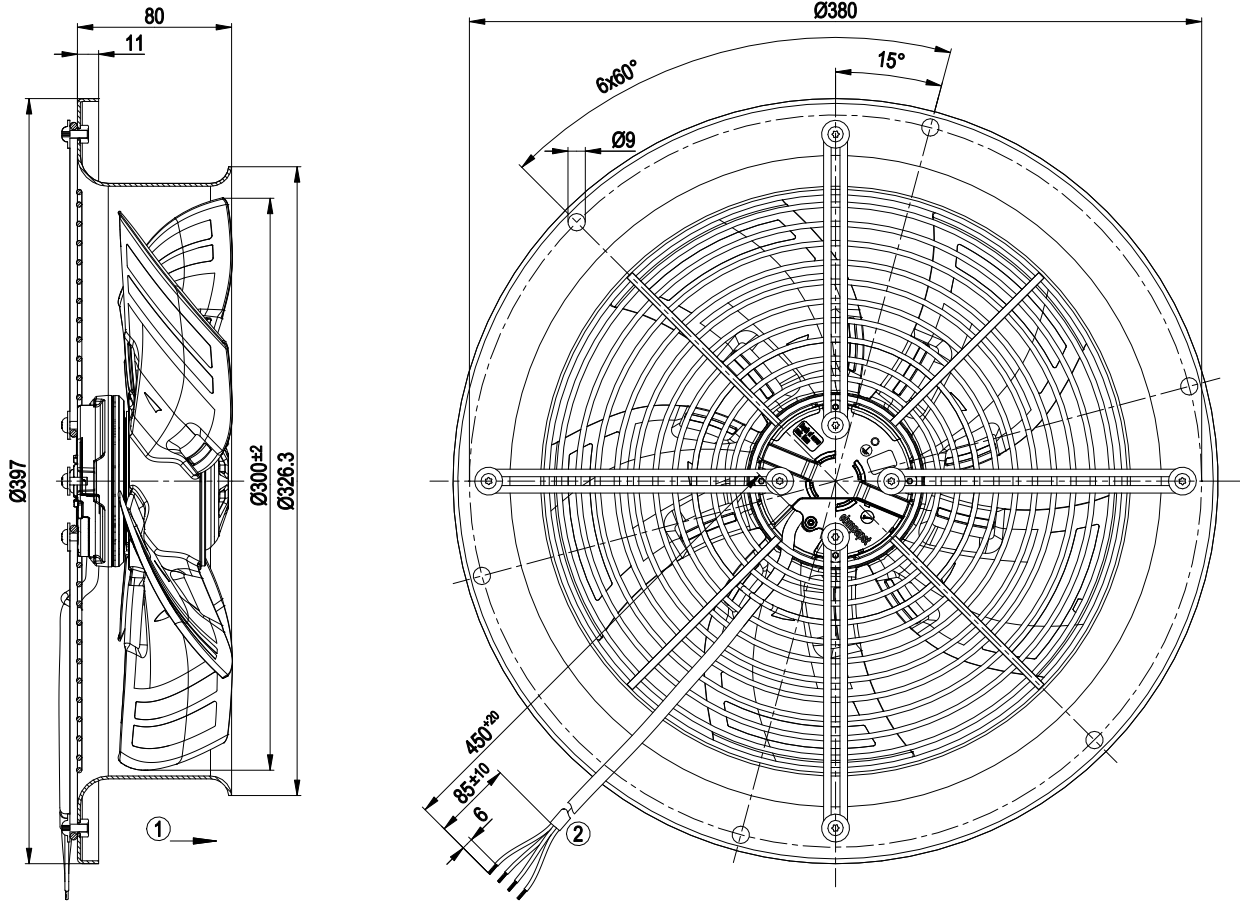
Weight	3.4 kg
Size	300 mm
Motor size	55
Rotor surface	Passivated
Impeller material	PP-GF40 plastic
Fan housing material	Sheet steel, pre-galvanized and coated with black plastic
Guard grille material	Steel, phosphated and coated with black plastic
Airflow direction	A
Direction of rotation	Clockwise, viewed toward rotor
Degree of protection	IP54
Insulation class	"B"
Moisture (F) / Environmental (H) protection class	H1
Max. permitted ambient temp. for motor (transport/storage)	+ 80 °C
Min. permitted ambient temp. for motor (transport/storage)	- 40 °C
Installation position	Any
Condensation drainage holes	None, open rotor
Mode	S1
Motor bearing	Ball bearing
Technical features	- Soft start - Thermal overload protection for electronics/motor
Speed levels	2
EMC immunity to interference	According to EN 61000-6-2 (industrial environment)
EMC circuit feedback	According to EN 61000-3-2/3
EMC interference emission	According to EN 61000-6-3 (household environment)
Touch current according to IEC 60990 (measuring circuit Fig. 4, TN system)	<= 3.5 mA
Motor protection	Electronic motor protection
With cable	Variable
Protection class assignment	I; If a protective earth is connected. The built-in component has several local protection class assignments. The final protection class is determined by the intended installation.
Conformity with standards	EN 60335-1; CE
Comment on CE	Ecodesign Directive 2009/125/EC + Fan Directive (EC) No. 327/2011 does not apply, as power consumption <125W.
Approval	CCC

# EC axial panel fan - HyBlade

sickle-shaped blades (S series), single-intake

Fan housing with guard grille

## Product drawing



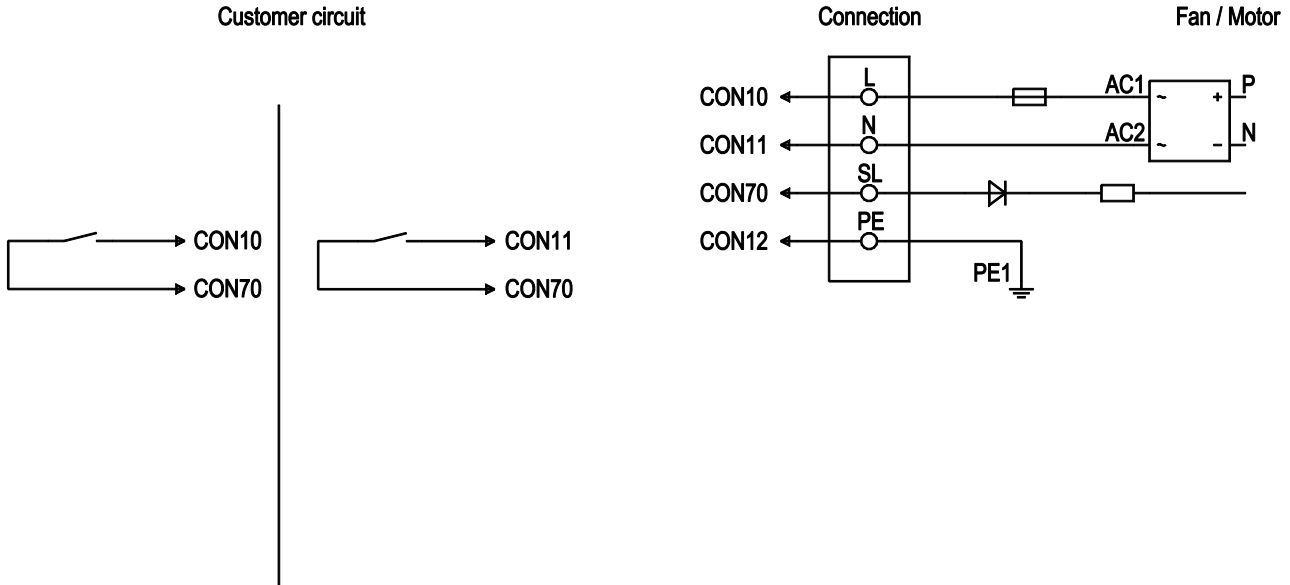
- 1 Direction of air flow "A"
- 2 Cable PVC 4G 0.5 mm<sup>2</sup>, 4x crimped splice

# EC axial panel fan - HyBlade

sickle-shaped blades (S series), single-intake

Fan housing with guard grille

## Connection diagram



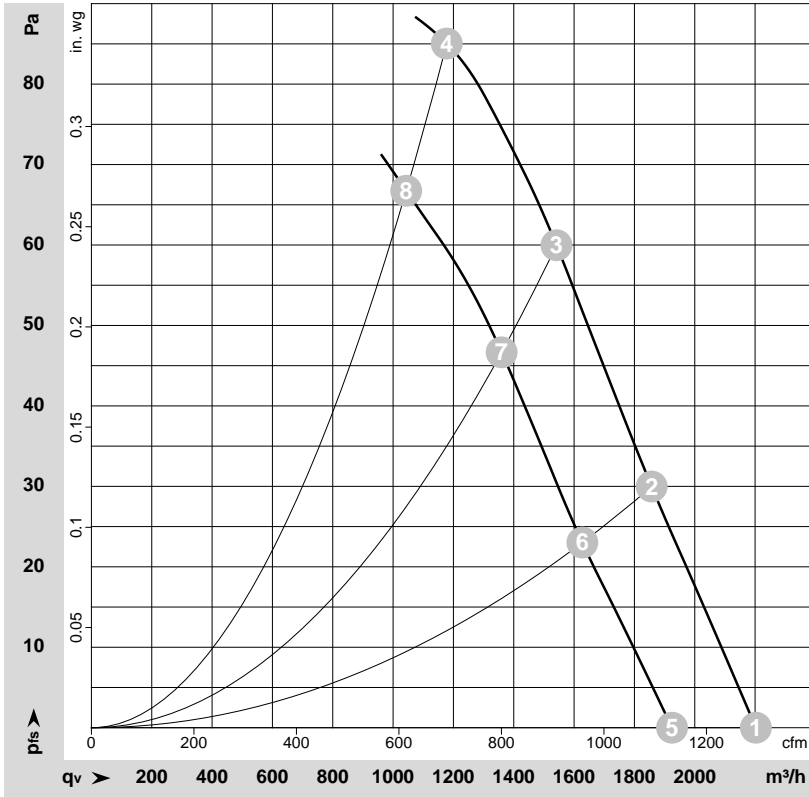
No.	Conn.	Designation	Color	Function/assignment
	CON 10	L	black	Power supply 230 VAC, 50-60 Hz, see nameplate for voltage range
	CON 11	N	blue	Neutral conductor
	CON 12	PE	green/yellow	Protective earth
	CON 70	SL	brown	Speed selection: switch open speed 1; switch closed speed 2

# EC axial panel fan - HyBlade

sickle-shaped blades (S series), single-intake

Fan housing with guard grille

## Curves: Air performance 50 Hz



$\rho = 1.15 \text{ kg/m}^3 \pm 2 \%$

Measurement: LU-201146-1  
Date: 2026-06-27  
Housing: 18908-2-4037

Measurement: LU-201153-1  
Date: 2026-06-27  
Housing: 18908-2-4037

Air performance measured according to ISO 5801 installation category A. For detailed information on the measurement setup, contact ebm-papst. Intake sound level: Sound power level according to ISO 13347 / sound pressure level measured at 1 m distance from fan axis. The values given are valid under the specified measuring conditions and may vary due to conditions of installation. For deviations from the standard configuration, the parameters have to be checked on the installed unit.

## Measured values

	Stage	Wired	U	f	n	P <sub>ed</sub>	I	LpA <sub>in</sub>	LwA <sub>in</sub>	q <sub>v</sub>	p <sub>fs</sub>	q <sub>v</sub>	p <sub>fs</sub>
			V	Hz	min <sup>-1</sup>	W	A	dB(A)	dB(A)	m <sup>3</sup> /h	Pa	cfm	in. wg
1	1	1~	230	50	1640	69	0.62	56	63	2205	0	1295	0.00
2	1	1~	230	50	1600	76	0.67	56	63	1855	30	1095	0.12
3	1	1~	230	50	1570	80	0.70	56	64	1540	60	910	0.24
4	1	1~	230	50	1500	85	0.80	59	66	1180	85	695	0.34
5	2	1~	230	50	1435	47	0.45	53	60	1925	0	1135	0.00
6	2	1~	230	50	1405	52	0.49	53	60	1625	23	960	0.09
7	2	1~	230	50	1390	55	0.51	53	60	1360	47	800	0.19
8	2	1~	230	50	1360	59	0.54	55	62	1045	67	615	0.27

Wired = Wiring · U = Voltage · f = Frequency · n = Speed (rpm) · P<sub>ed</sub> = Power consumption · I = Current draw · LpA<sub>in</sub> = Sound pressure level intake side · LwA<sub>in</sub> = Sound power level intake side  
q<sub>v</sub> = Air flow · p<sub>fs</sub> = Pressure increase