

EC axial fan

sickled blades (S series)

Wall ring with guard grille

W3G250-BG13-09 ebmpapst Datasheet

sales@fansco.com

www.fansco.com

Limited partnership · Headquarters Muldingen
 County court Stuttgart · HRA 590344

General partner Elektrobau Muldingen GmbH · Headquarters Muldingen
 County court Stuttgart · HRB 590142

Nominal data

Type	W3G250-BG13-09	
Motor	M3G055-BI	
Phase		1~
Nominal voltage	VAC	230
Nominal voltage range	VAC	200 .. 240
Frequency	Hz	50/60
Type of data definition		ml
State		prelim.
Speed	min ⁻¹	1200
Power input	W	16
Current draw	A	0.16
Max. back pressure	Pa	25.7
Min. ambient temperature	°C	-25
Max. ambient temperature	°C	60

ml = Max. load · me = Max. efficiency · fa = Running at free air · cs = Customer specs · cu = Customer unit
 Subject to alterations



EC axial fan

sickled blades (S series)

Wall ring with guard grille

Technical features

Mass	1.5 kg
Size	250 mm
Material of blades	PA plastic
Material of wall ring	PA plastic
Number of blades	5
Direction of air flow	"V"
Direction of rotation	Counter-clockwise, seen on rotor
Type of protection	IP 54; Depending on installation and position
Insulation class	"B"
Max. permissible ambient motor temp. (transp./ storage)	+ 80 °C
Min. permissible ambient motor temp. (transp./storage)	- 40 °C
Mounting position	Any
Condensate discharge holes	None
Operation mode	S1
Motor bearing	Ball bearing
Technical features	<ul style="list-style-type: none"> - Speed adjustment input (230 V) - Motor current limit - Soft start - Over-temperature protected electronics / motor
EMC interference immunity	Acc. to EN 61000-6-2 (industrial environment)
EMC harmonics	Acc. to EN 61000-3-2/3
EMC interference emission	Acc. to EN 61000-6-3 (household environment)
Touch current acc. IEC 60990 (measuring network Fig. 4, TN system)	<= 3.5 mA
Motor protection	Locked-rotor protection
Cable exit	Variable
Protection class	I (if protective earth is connected by customer)
Product conforming to standard	EN 60335-1; CE
Approval	UL 2111; CSA C22.2 Nr.77; CCC

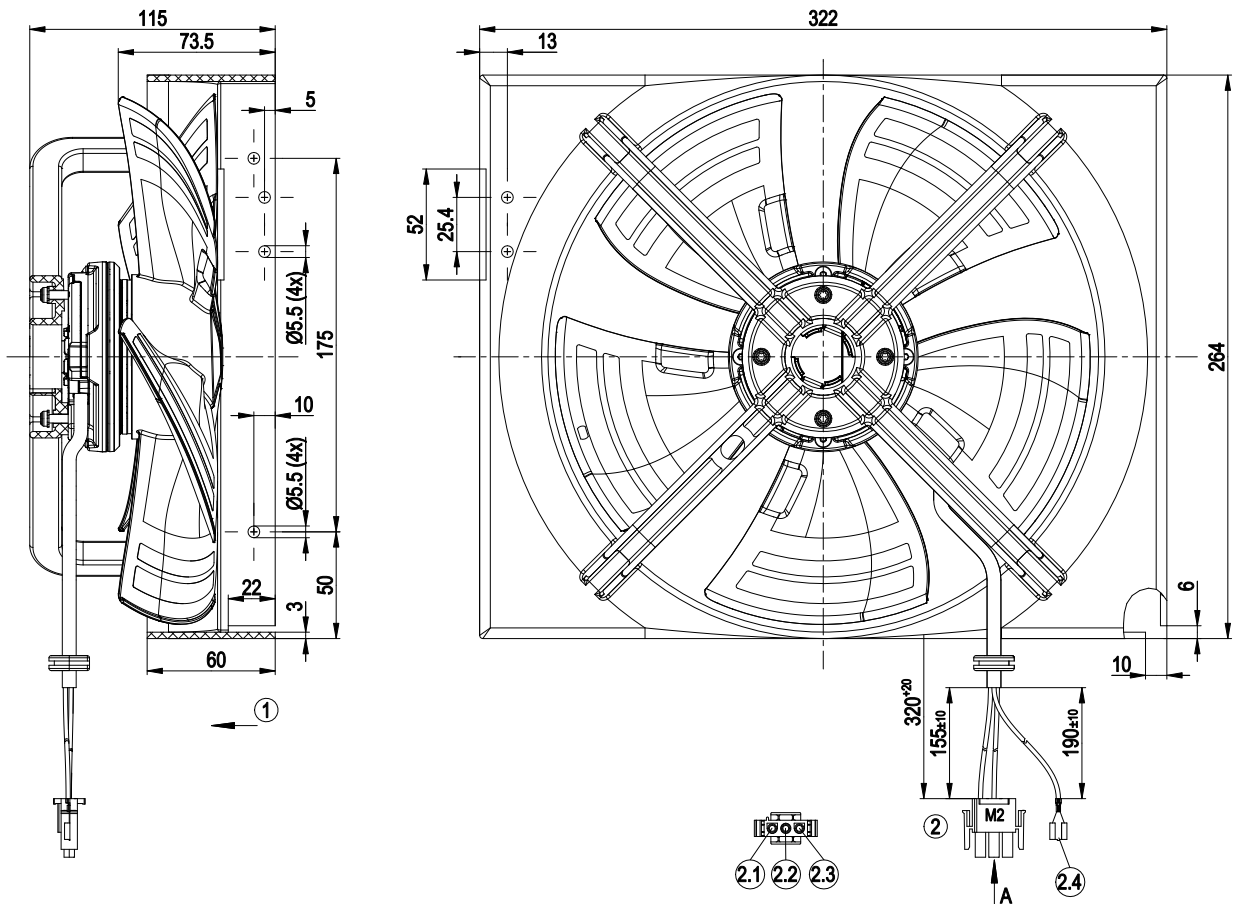


EC axial fan

sickled blades (S series)

Wall ring with guard grille

Product drawing



1	Direction of air flow "V"
2	Connection line PVC AWG20, AMP connector shell 350766-4 with 2x plug pin 926883-1 and 1x receptacle for tabs 927852-6
2.1	L (black)
2.2	N (blue)
2.3	Not assigned
2.4	PE (green/yellow)

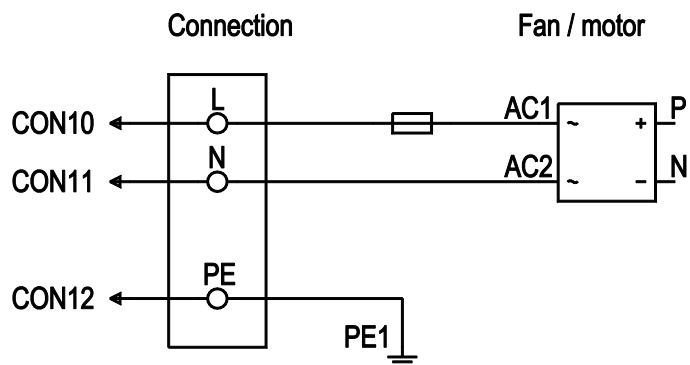


EC axial fan

sickled blades (S series)

Wall ring with guard grille

Connection screen

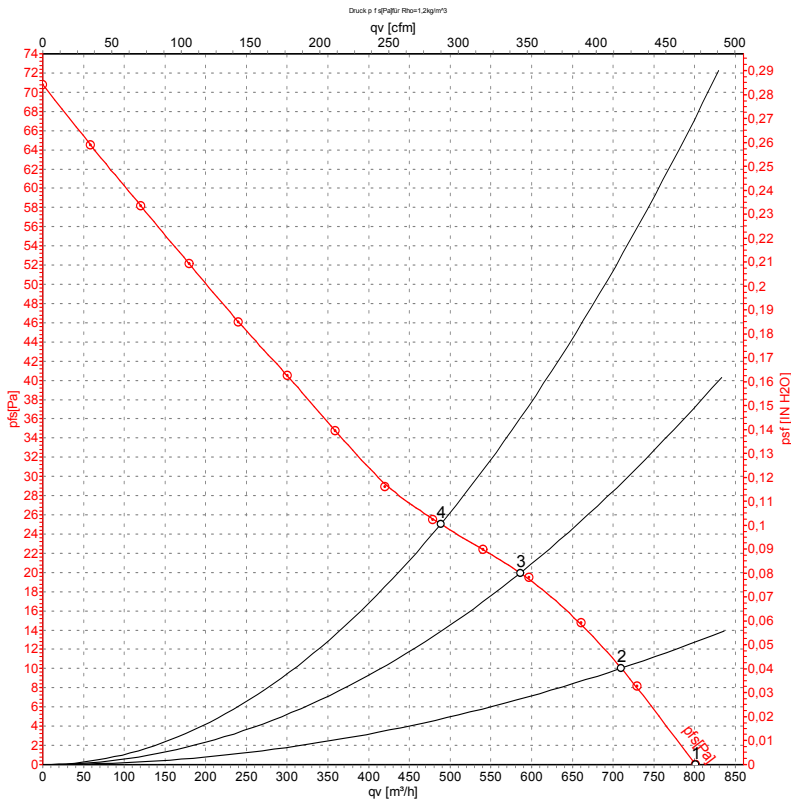


No.	Conn.	Designation	Colour	Function / assignment
	CON 10	L	black	Power supply 230 VAC, 50 - 60 Hz, for voltage range refer to rating plate
	CON 11	N	Blue	Neutral conductor
	CON 12	PE	green/yellow	Protective earth

EC axial fan

sickled blades (S series)
Wall ring with guard grille

Charts: Air flow 50 Hz



Measurement: LU-133785

Air performance measured as per ISO 5801 Installation category A. For detailed information on the measuring set-up, please contact ebm-papst. Suction-side noise levels: LwA measured as per ISO 13347 / LpA measured with 1m distance to fan axis. The values given are valid under the measuring conditions mentioned above and may vary according to the actual installation situation. With any deviation from the standard set-up, the specific values have to be checked and reviewed with the unit installed.

Measured values

	U	f	n	P _{ed}	I	LpA _{in}	LwA _{in}	qv	p _{fs}
	V	Hz	min ⁻¹	W	A	dB(A)	dB(A)	m ³ /h	Pa
1	230	50	1200	12	0.15	48	59	800	0
2	230	50	1200	13	0.15	48	58	710	10
3	230	50	1200	13	0.16	49	57	585	20
4	230	50	1200	16	0.16	50	58	490	25

U = Supply voltage · f = Frequency · n = Speed · P_{ed} = Power input · I = Current draw · LpA_{in} = Sound pressure level inlet side · LwA_{in} = Sound power level inlet side · qv = Air flow
p_{fs} = Pressure increase

