

W2G115-AD17-02 ebmpapst Datasheet

sales@fansco.com

www.fansco.com

## Nominal data

|                          |                   |      |
|--------------------------|-------------------|------|
| Type                     | W2G115-AD17-02    |      |
| Motor                    | M2G045-BA         |      |
| Nominal voltage          | VDC               | 24   |
| Method of obtaining data |                   | fa   |
| Speed (rpm)              | min <sup>-1</sup> | 2800 |
| Power consumption        | W                 | 4.7  |
| Min. ambient temperature | °C                | -25  |
| Max. ambient temperature | °C                | 72   |

ml = Max. load · me = Max. efficiency · fa = Free air · cs = Customer specification · ce = Customer equipment  
Subject to change



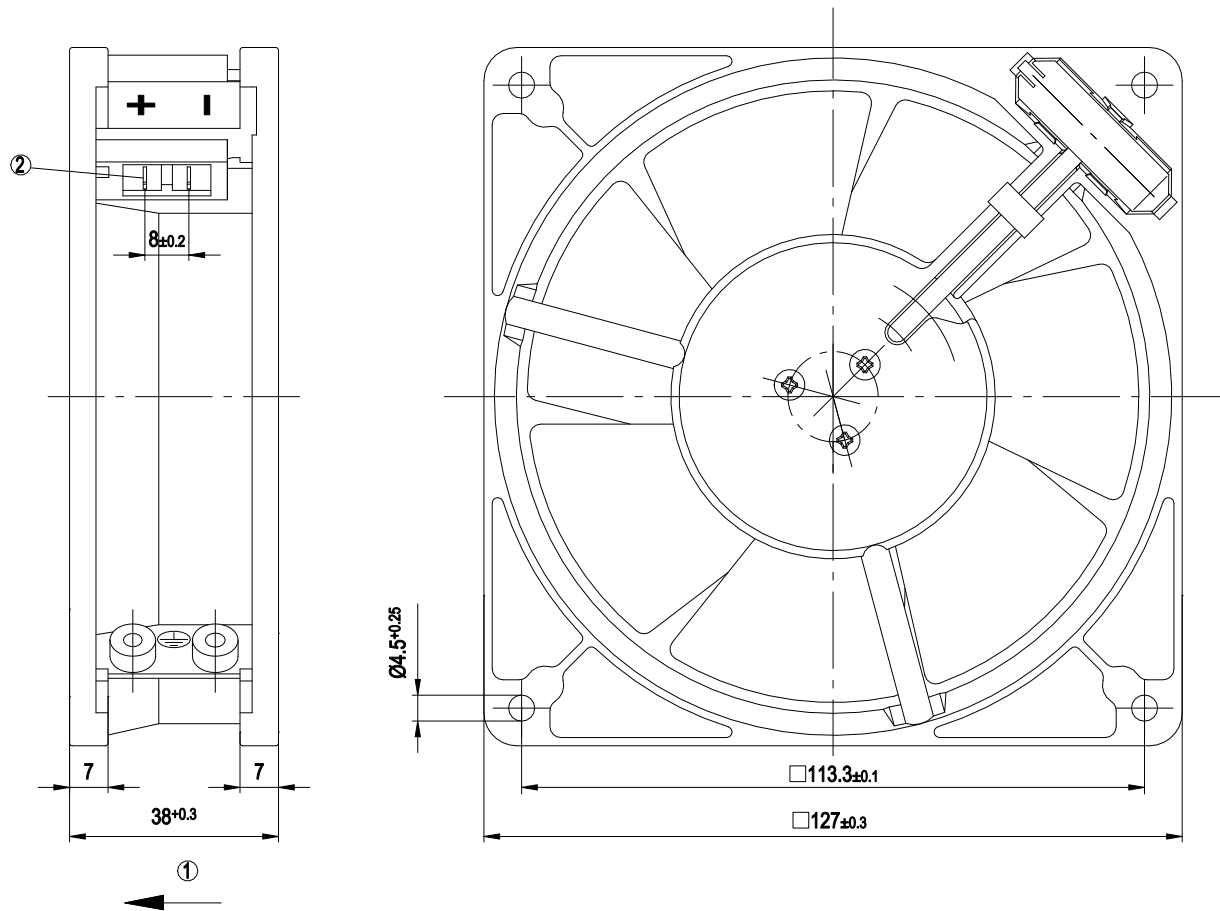
## Technical description

|                                                            |                                                    |
|------------------------------------------------------------|----------------------------------------------------|
| Size                                                       | 115 mm                                             |
| Motor size                                                 | 45                                                 |
| Rotor surface                                              | Painted black                                      |
| Blade material                                             | Sheet steel, painted black                         |
| Fan housing material                                       | Die-cast aluminum, painted black                   |
| Number of blades                                           | 7                                                  |
| Airflow direction                                          | V                                                  |
| Direction of rotation                                      | Counterclockwise, viewed toward rotor              |
| Degree of protection                                       | IP22                                               |
| Insulation class                                           | "B"                                                |
| Moisture (F) / Environmental (H) protection class          | H0+                                                |
| Max. permitted ambient temp. for motor (transport/storage) | + 80 °C                                            |
| Min. permitted ambient temp. for motor (transport/storage) | - 40 °C                                            |
| Installation position                                      | Any                                                |
| Condensation drainage holes                                | None                                               |
| Mode                                                       | S1                                                 |
| Motor mounting                                             | Ball bearing                                       |
| Technical features                                         | - Motor current limitation                         |
| EMC immunity to interference                               | According to EN 61000-6-2 (industrial environment) |
| EMC interference emission                                  | According to EN 55022 (Class A)                    |
| Electrical hookup                                          | Plug                                               |
| Motor protection                                           | Reverse polarity and locked-rotor protection       |
| Protection class                                           | I (with customer connection of protective earth)   |
| Conformity with standards                                  | EN 60950-1                                         |
| Approval                                                   | EAC; UL 507                                        |

# EC axial compact fan

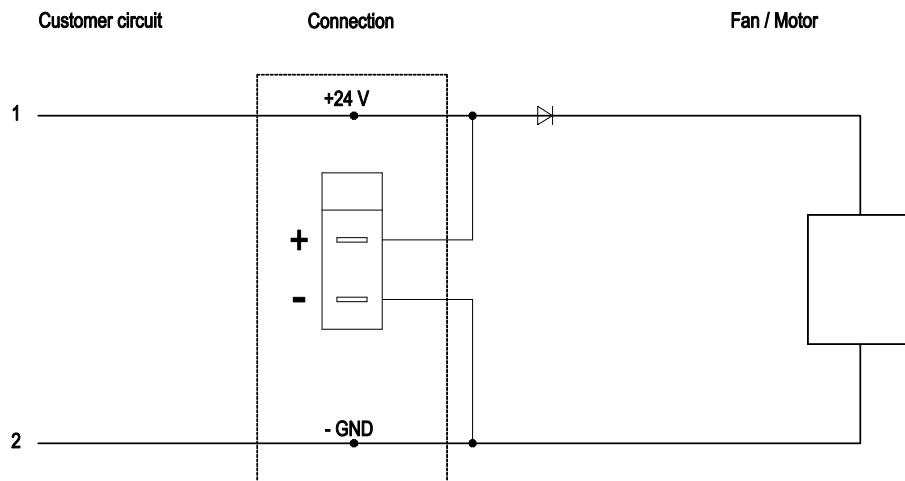
straight blades (A series)

## Product drawing



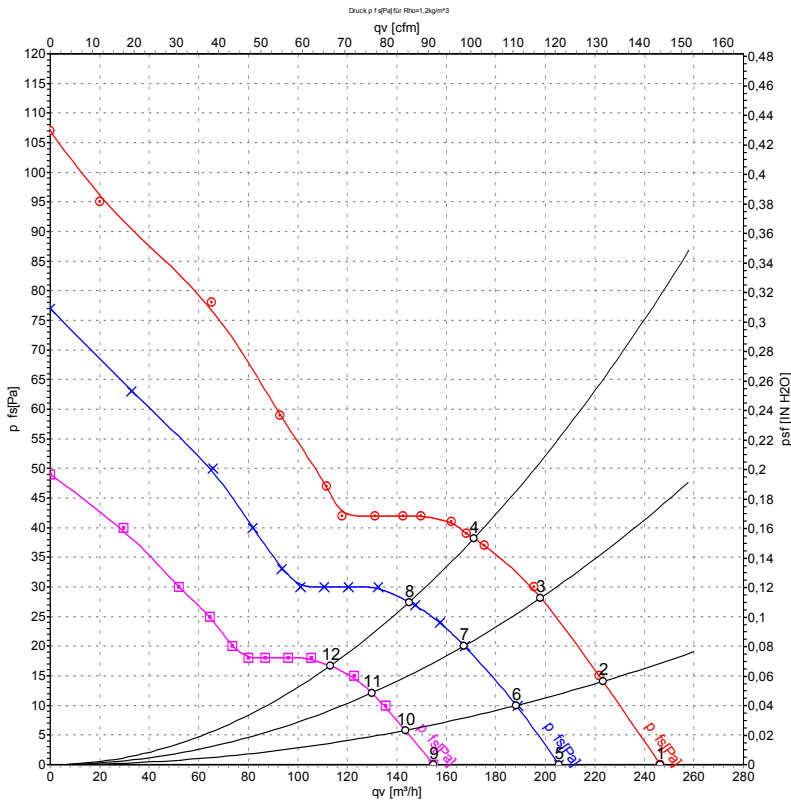
- |   |                                         |
|---|-----------------------------------------|
| 1 | Direction of air flow "V"               |
| 2 | 2x flat plug 2.8x0.5 (AMP no. 170058-2) |

## Connection diagram



| No. | Conn. | Designation | Color | Function/assignment                                                              |
|-----|-------|-------------|-------|----------------------------------------------------------------------------------|
| 1   | 1     | UN +24V     | red   | Power supply +24 V / see nameplate for voltage range, maximum ripple $\pm 3.5\%$ |
| 1   | 2     | GND         | blue  | Reference ground                                                                 |

## Curves: Air performance



Measurement: LU-9346-1  
 Measurement: LU-9345-1  
 Measurement: LU-9347-1

Air performance measured according to ISO 5801 installation category A. For detailed information on the measurement setup, contact ebmpapst. Intake sound level: Sound power level according to ISO 13347 / sound pressure level measured at 1 m distance from fan axis. The values given are valid under the specified measuring conditions and may vary due to conditions of installation. For deviations from the standard configuration, the parameters have to be checked on the installed unit.

## Measured values

|    | U  | n                 | P <sub>ed</sub> | I    | q <sub>v</sub>    | p <sub>fs</sub> | q <sub>v</sub> | p <sub>fs</sub> |
|----|----|-------------------|-----------------|------|-------------------|-----------------|----------------|-----------------|
|    | V  | min <sup>-1</sup> | W               | A    | m <sup>3</sup> /h | Pa              | cfm            | in. wg          |
| 1  | 30 | 3405              | 8.0             | 0.27 | 245               | 0               | 145            | 0.00            |
| 2  | 30 | 3305              | 8.2             | 0.27 | 225               | 14              | 130            | 0.06            |
| 3  | 30 | 3225              | 8.9             | 0.30 | 200               | 28              | 115            | 0.11            |
| 4  | 30 | 3165              | 9.2             | 0.31 | 170               | 38              | 100            | 0.15            |
| 5  | 24 | 2800              | 4.7             | 0.20 | 205               | 0               | 120            | 0.00            |
| 6  | 24 | 2780              | 4.9             | 0.21 | 190               | 10              | 110            | 0.04            |
| 7  | 24 | 2710              | 5.2             | 0.22 | 165               | 20              | 100            | 0.08            |
| 8  | 24 | 2665              | 5.6             | 0.23 | 145               | 28              | 85             | 0.11            |
| 9  | 18 | 2180              | 2.40            | 0.13 | 155               | 0               | 90             | 0.00            |
| 10 | 18 | 2140              | 2.58            | 0.14 | 145               | 6               | 85             | 0.02            |
| 11 | 18 | 2095              | 2.74            | 0.15 | 130               | 12              | 75             | 0.05            |
| 12 | 18 | 2065              | 2.80            | 0.16 | 115               | 17              | 65             | 0.07            |

U = Power supply · n = Speed (rpm) · P<sub>ed</sub> = Power consumption · I = Current draw · q<sub>v</sub> = Air flow · p<sub>fs</sub> = Pressure increase

