

W2G107-AD03-02 ebmpapst Datasheet

sales@fansco.com

www.fansco.com

Nominal data

Type	W2G107-AD03-02	
Motor	M2G045-BA	
Nominal voltage	VDC	24
Nominal voltage range	VDC	18 .. 30
Method of obtaining data		fa
Speed (rpm)	min ⁻¹	2800
Power consumption	W	3.3
Min. ambient temperature	°C	-25
Max. ambient temperature	°C	72

ml = Max. load · me = Max. efficiency · fa = Free air · cs = Customer specification · ce = Customer equipment
Subject to change

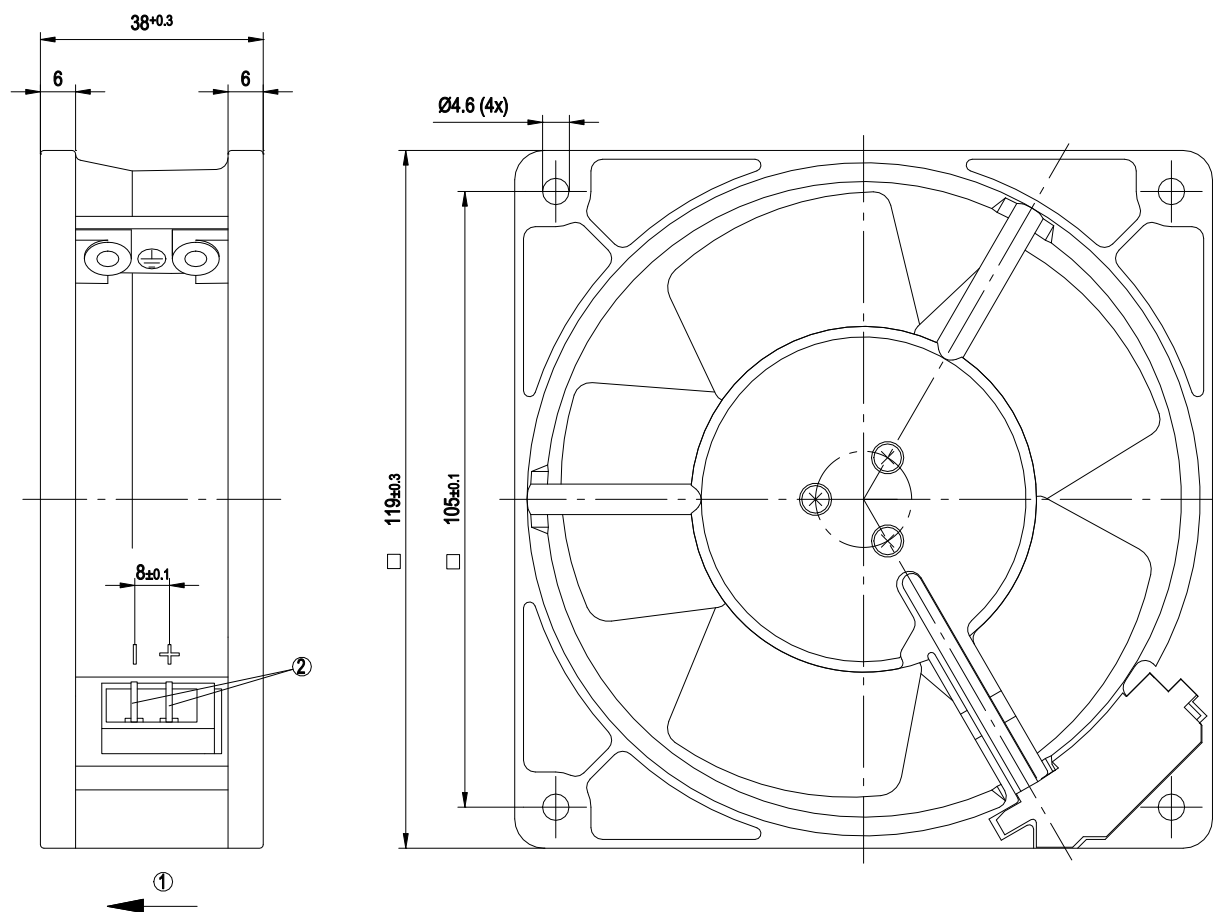


Technical description

Weight	0.6 kg
Fan size	107 mm
Blade material	Sheet steel, painted black
Fan housing material	Die-cast aluminum, painted black
Number of blades	5
Airflow direction	"V"
Direction of rotation	Counterclockwise, viewed toward rotor
Degree of protection	IP22
Insulation class	"B"
Moisture (F) / Environmental (H) protection class	H1
Max. permitted ambient temp. for motor (transport/storage)	+ 80 °C
Min. permitted ambient temp. for motor (transport/storage)	- 40 °C
Installation position	Any
Condensation drainage holes	None
Mode	S1
Motor bearing	Ball bearing
Electrical hookup	With plug
Motor protection	Reverse polarity and locked-rotor protection
Conformity with standards	EN 60335-1
Approval	UL 507; EAC; CSA C22.2 No. 113

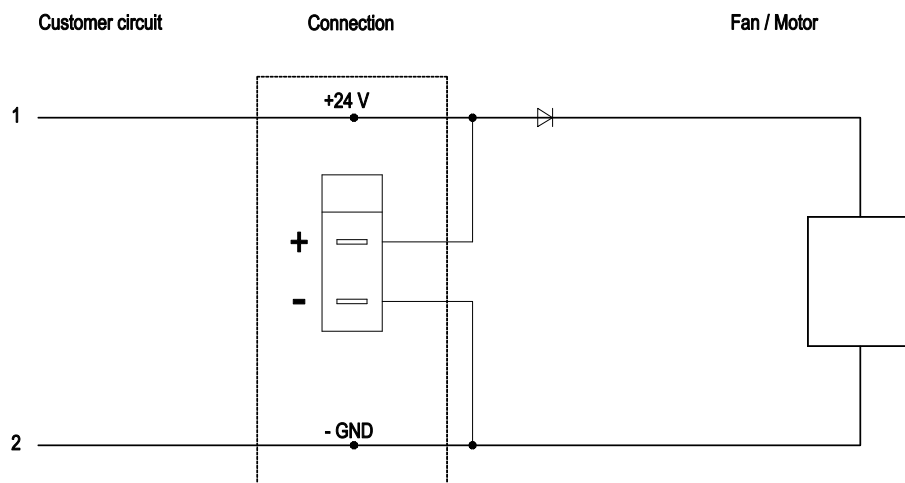


Product drawing



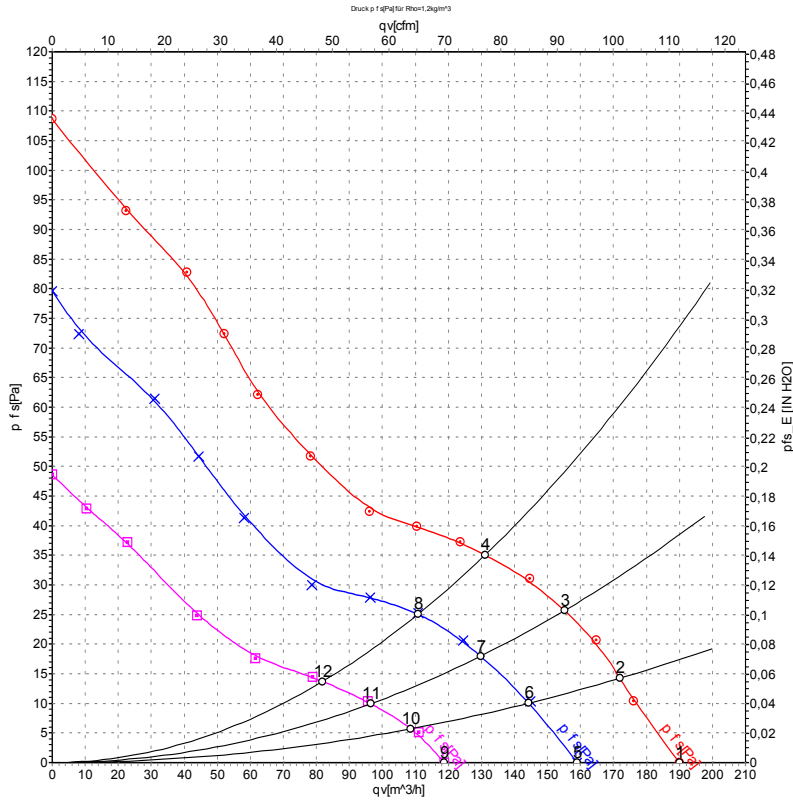
- | | |
|---|--|
| 1 | Direction of air flow "V" |
| 2 | 2x flat plug 2.8x0.8 (GHW 25617.123.111) |

Connection diagram



No.	Conn.	Designation	Color	Function/assignment
1	1	UN +24V	red	Power supply +24 V / see nameplate for voltage range, maximum ripple $\pm 3.5\%$
1	2	GND	blue	Reference ground

Curves: Air performance



Measurement: LU-47156-1
 Measurement: LU-47155-1
 Measurement: LU-47157-1

Air performance measured according to ISO 5801 installation category A. For detailed information on the measurement setup, contact ebmpapst. Intake sound level: Sound power level according to ISO 13347 / sound pressure level measured at 1 m distance from fan axis. The values given are valid under the specified measuring conditions and may vary due to conditions of installation. For deviations from the standard configuration, the parameters have to be checked on the installed unit.

Measured values

	U	n	P _{ed}	I	q _v	p _{fs}	q _v	p _{fs}
	V	min ⁻¹	W	A	m ³ /h	Pa	cfm	inH ₂ O
1	30	3425	6.8	0.24	190	0	110	0.00
2	30	3335	7.1	0.25	170	14	100	0.06
3	30	3270	7.4	0.26	155	26	90	0.10
4	30	3215	7.6	0.27	130	35	75	0.14
5	24	2860	4.2	0.18	160	0	95	0.00
6	24	2810	4.4	0.19	145	10	85	0.04
7	24	2755	4.5	0.20	130	18	75	0.07
8	24	2705	4.7	0.20	110	25	65	0.10
9	18	2205	2.16	0.12	120	0	70	0.00
10	18	2165	2.26	0.13	110	6	65	0.02
11	18	2125	2.35	0.13	95	10	55	0.04
12	18	2120	2.35	0.13	80	14	50	0.06

U = Power supply · n = Speed (rpm) · P_{ed} = Power consumption · I = Current draw · q_v = Air flow · p_{fs} = Pressure increase

