

AC axial fan

straight blades (A series)

Wall ring with guard grille

W2E250-EC01-06 ebmpapst Datasheet

sales@fansco.com

www.fansco.com

Nominal data

Type	W2E250-EC01-06		
Motor	M2E068-EC		
Phase		1~	1~
Nominal voltage	VAC	230	230
Frequency	Hz	50	60
Type of data definition		fa	fa
Valid for approval / standard		CE	CE
Speed	min ⁻¹	2650	2900
Power input	W	160	210
Current draw	A	0.70	0.92
Motor capacitor	µF	5	5
Capacitor voltage	VDB	400	400
Min. ambient temperature	°C	-25	-25
Max. ambient temperature	°C	70	65

ml = Max. load · me = Max. efficiency · fa = Running at free air · cs = Customer specs · cu = Customer unit
Subject to alterations



AC axial fan

straight blades (A series)

Wall ring with guard grille

Technical features

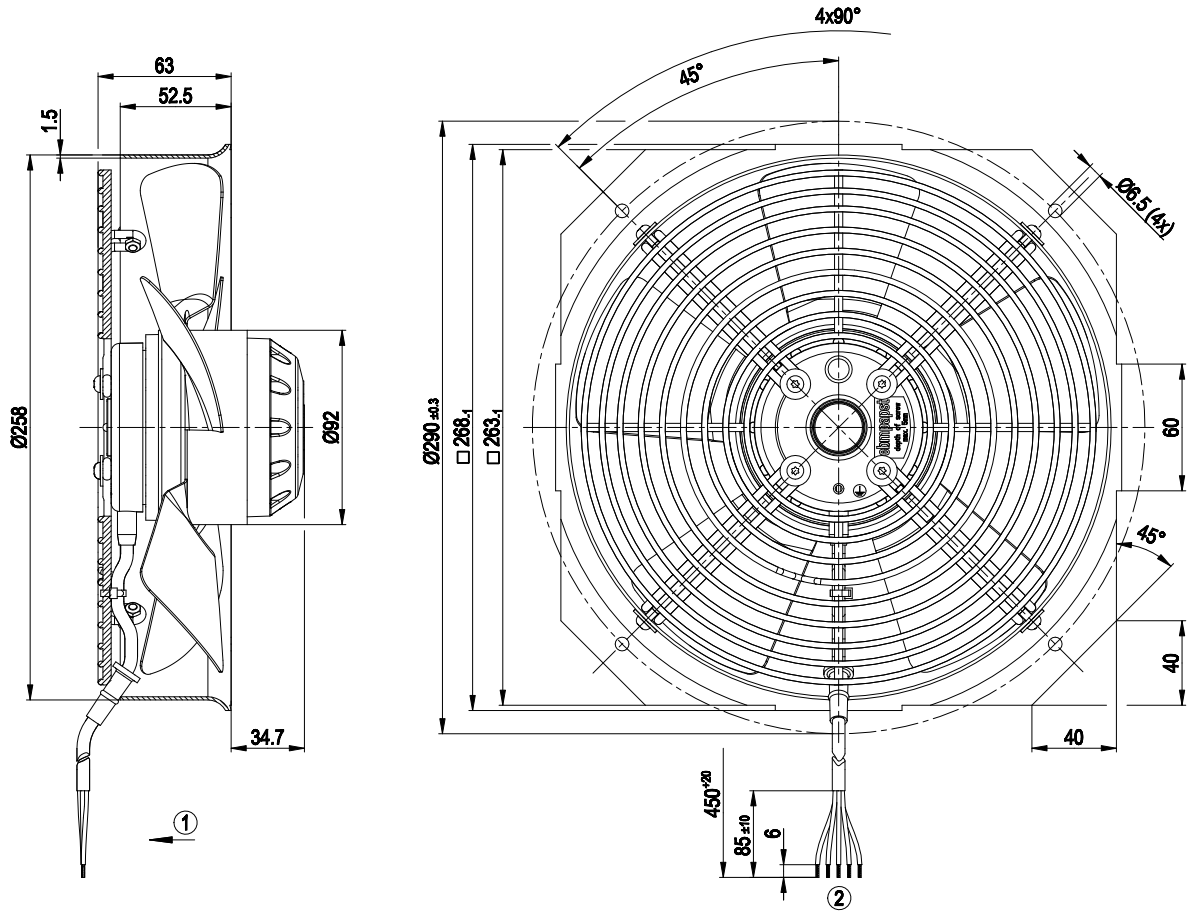
Mass	3.5 kg
Size	250 mm
Surface of rotor	Coated in black
Material of blades	Sheet steel, coated in black
Material of wall ring	Sheet steel, pre-galvanised and coated in black plastic (RAL 9005)
Material of guard grille	Steel, coated in black plastic (RAL9005)
Number of blades	5
Direction of air flow	"V"
Direction of rotation	Counter-clockwise, seen on rotor
Type of protection	IP 44; Depending on installation and position
Insulation class	"F"
Humidity class	F0
Max. permissible ambient motor temp. (transp./ storage)	+ 80 °C
Min. permissible ambient motor temp. (transp./storage)	- 40 °C
Mounting position	Any
Condensate discharge holes	None
Operation mode	S1
Motor bearing	Ball bearing
Touch current acc. IEC 60990 (measuring network Fig. 4, TN system)	< 0.75 mA
Motor protection	Thermal overload protector (TOP) brought out
Cable exit	Lateral
Protection class	I (if protective earth is connected by customer)
Product conforming to standard	EN 60335-1



AC axial fan

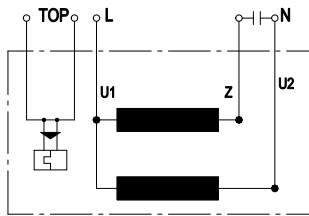
straight blades (A series)
Wall ring with guard grille

Product drawing



- 1 Direction of air flow "V"
- 2 Connection line halogen- and silicone-free 5x 0.5mm², 5x brass lead tips crimped

Connection screen



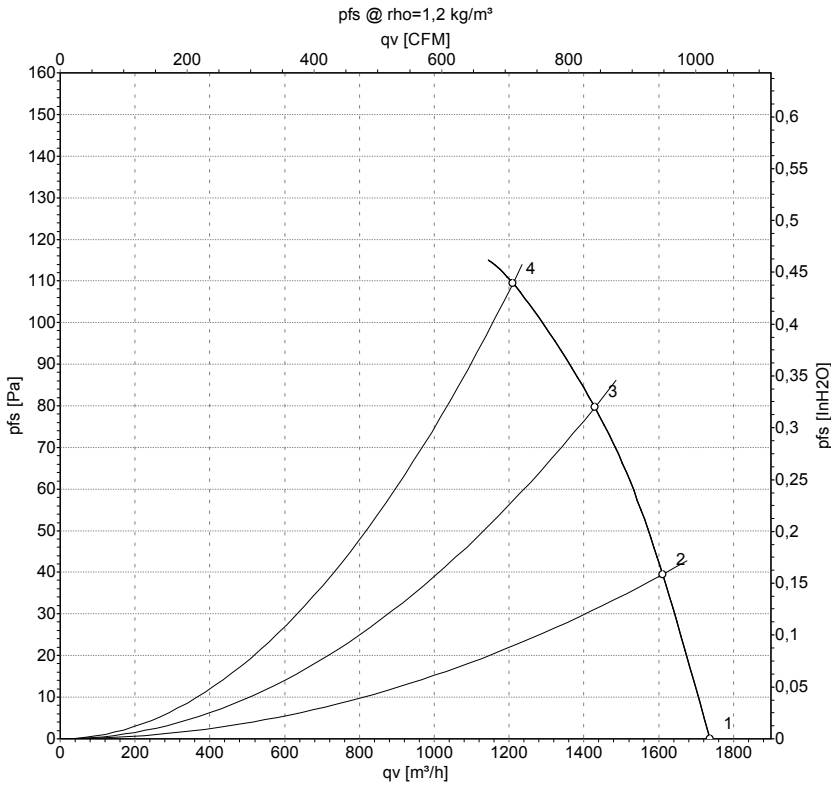
U1	blue	Z	brown	U2	black
TOP	2 x grey				



AC axial fan

straight blades (A series)
Wall ring with guard grille

Charts: Air flow 50 Hz



Measurement: LU-16451

Air performance measured as per ISO 5801 Installation category A. For detailed information on the measuring set-up, please contact ebm-papst. Suction-side noise levels: LwA measured as per ISO 13347 / LpA measured with 1m distance to fan axis. The values given are valid under the measuring conditions mentioned above and may vary according to the actual installation situation. With any deviation from the standard set-up, the specific values have to be checked and reviewed with the unit installed.

Measured values

	U	f	n	P _e	I	qv	p _{fs}
	V	Hz	min ⁻¹	W	A	m³/h	Pa
1	230	50	2650	165	0.76	1735	0
2	230	50	2630	171	0.76	1610	40
3	230	50	2600	178	0.78	1430	80
4	230	50	2580	182	0.79	1210	110

U = Supply voltage · f = Frequency · n = Speed · P_e = Power input · I = Current draw · qv = Air flow · p_{fs} = Pressure increase

