

W2E200-HK38-C01 ebmpapst Datasheet FansCo  
 sales@fansco.com  
 www.fansco.com

## Nominal data

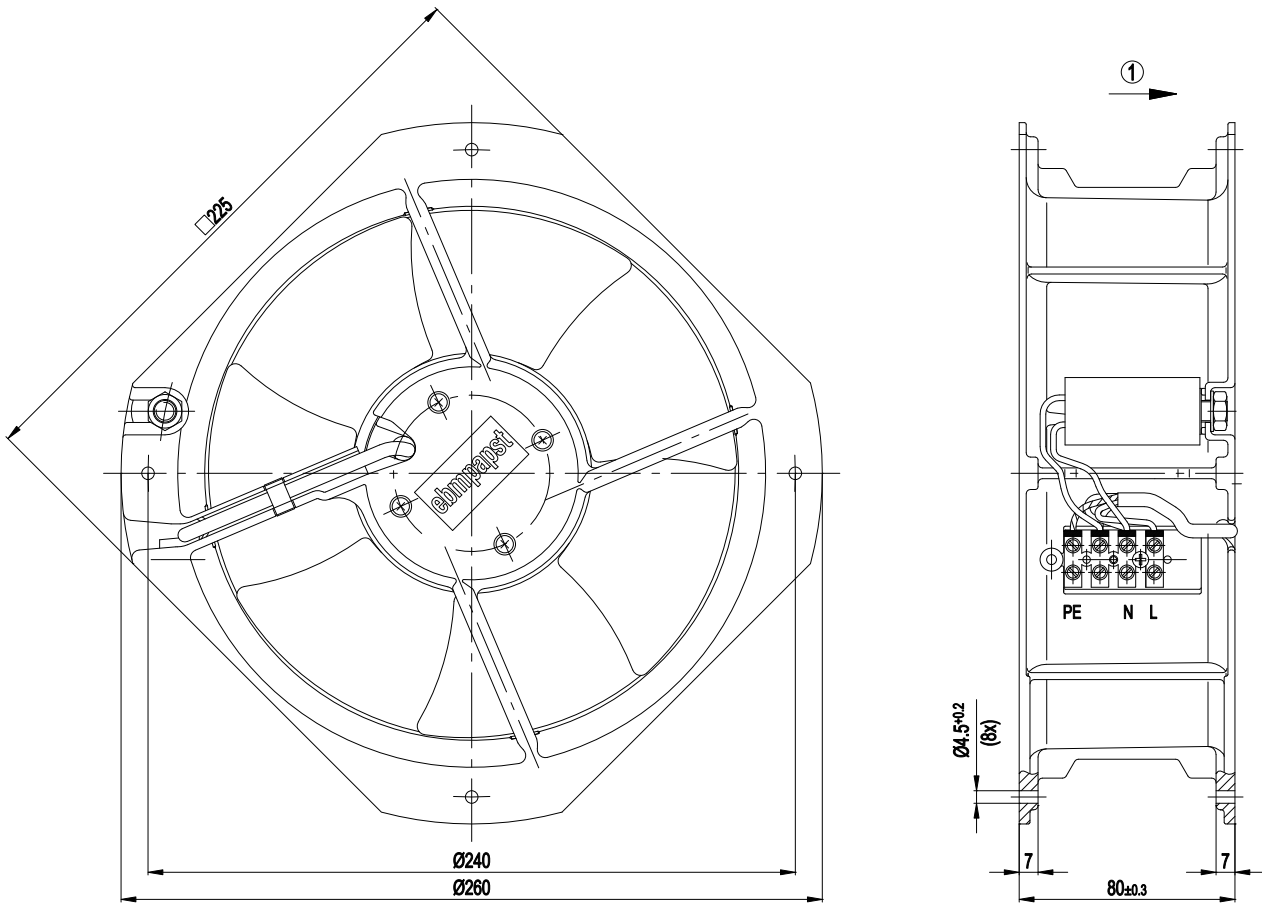
Type	W2E200-HK38-C01		
Motor	M2E068-BF		
Phase		1~	1~
Nominal voltage	[V]	230	230
Frequency	[Hz]	50	60
Type of data definition		rfa	rfa
Valid for approval / standard		CE	CE
Speed	[min <sup>-1</sup> ]	2550	2800
Power input	[W]	64	80
Current draw	[A]	0.29	0.35
Motor capacitor	[μF]	1.5	1.5
Capacitor voltage	[VDB]	450	450
Capacitor standard		P0 (CE)	P0 (CE)
Max. back pressure	[Pa]	80	95
Max. ambient temperature	[°C]	60	65

ml = max. load · me = max. efficiency · rfa = running at free air · cs = customer specs · cu = customer unit  
 Subject to alterations

## Technical features

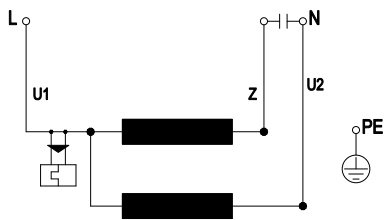
Leakage current	< 0.75 mA
Size	200 mm
Operation mode	S1
Direction of rotation	Counter-clockwise, seen on rotor
Mounting position	Any
Electrical leads	Via terminal strips, integrated capacitor connected via terminal strips
Humidity class	F0
Direction of air flow	"V"
Insulation class	"B"
Cable exit	Variable
Condensate discharge holes	None
Bearing motor	Ball bearing
Mass	2.1 kg
Material of blades	Sheet steel, coated in black
Material of wall ring	Die-cast aluminium
Motor protection	Thermal overload protector (TOP) wired internally
Product conforming to standard	EN 60335-1
Surface of rotor	Coated in black
Number of blades	7
Type of protection	IP 44; Depending on installation and position
Protection class	I
Max. permissible ambient motor temp. (transp./ storage)	+ 80 °C
Min. permissible ambient motor temp. (transp./storage)	- 40 °C
Approval	CCC; UL; VDE

Product drawing



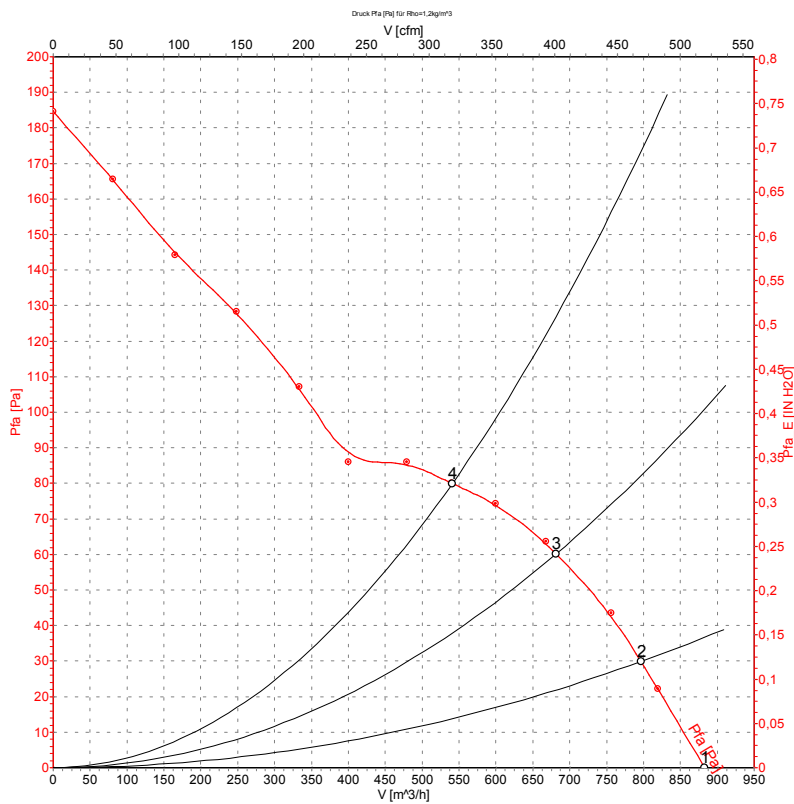
1 Direction of air flow "V"

Connection screen



U1	blue	Z	brown	U2	black
PE	green/yellow				

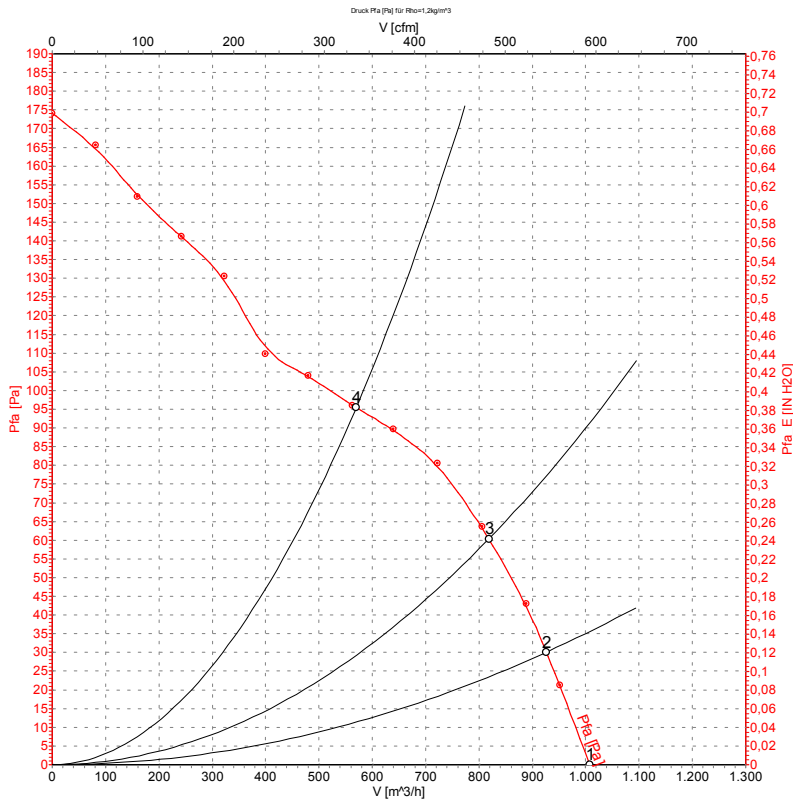
## Charts: Air flow 50 Hz



## Measured values

	U	f	n	P <sub>1</sub>	I	$\hat{V}$	p <sub>fa</sub>
	[V]	[Hz]	[min <sup>-1</sup> ]	[W]	[A]	[m³/h]	[Pa]
1	230	50	2630	60	0.30	880	0
2	230	50	2585	64	0.31	795	30
3	230	50	2530	66	0.31	680	60
4	230	50	2480	69	0.32	540	80

Charts: Air flow 60 Hz



Measured values

	U	f	n	P <sub>1</sub>	I	$\hat{V}$	P <sub>fa</sub>
	[V]	[Hz]	[min <sup>-1</sup> ]	[W]	[A]	[m <sup>3</sup> /h]	[Pa]
1	230	60	3000	70	0.31	1000	0
2	230	60	2935	73	0.32	925	30
3	230	60	2850	77	0.34	820	60
4	230	60	2705	83	0.36	570	95