

# AC axial fan

straight blades (A series), single-intake

Fan housing with guard grille

W2D300-CD04-53 ebmpapst Datasheet

sales@fansco.com

www.fansco.com

## Nominal data

<b>Type</b>	<b>W2D300-CD04-53</b>		
<b>Motor</b>	<b>M2D068-EC</b>		
Phase		3~	3~
Nominal voltage	VAC	266	460
Wiring		Δ	Y
Frequency	Hz	60	60
Method of obtaining data		fa	fa
Valid for approval/standard		CE	CE
Speed	min <sup>-1</sup>	2800	2800
Power consumption	W	275	275
Current draw	A	0.66	0.38
Min. ambient temperature	°C	-25	-25
Max. ambient temperature	°C	35	35

ml = Max. load · me = Max. efficiency · fa = Free air · cs = Customer specification · ce = Customer equipment  
Subject to change



# AC axial fan

straight blades (A series), single-intake

Fan housing with guard grille

## Technical description

<b>Weight</b>	4.8 kg
<b>Fan size</b>	300 mm
<b>Rotor surface</b>	Painted black
<b>Blade material</b>	Sheet steel, painted black
<b>Fan housing material</b>	Sheet steel, pre-galvanized and coated with black plastic
<b>Guard grille material</b>	Steel, phosphated and coated with black plastic
<b>Number of blades</b>	5
<b>Airflow direction</b>	"V"
<b>Direction of rotation</b>	Counterclockwise, viewed toward rotor
<b>Degree of protection</b>	IP44; installation- and position-dependent
<b>Insulation class</b>	"B"
<b>Moisture (F) / Environmental (H) protection class</b>	F1-2
<b>Max. permitted ambient temp. for motor (transport/storage)</b>	+ 80 °C
<b>Min. permitted ambient temp. for motor (transport/storage)</b>	- 40 °C
<b>Installation position</b>	Any
<b>Condensation drainage holes</b>	On rotor side
<b>Mode</b>	S1
<b>Motor storage</b>	Ball bearing
<b>Touch current according to IEC 60990 (measuring circuit Fig. 4, TN system)</b>	< 0.75 mA
<b>Motor protection</b>	Thermal overload protector (TOP) externally wired
<b>With cable</b>	Lateral
<b>Protection class</b>	I (with customer connection of protective earth)
<b>Conformity with standards</b>	EN 60335-1; CE
<b>Approval</b>	CSA C22.2 No. 100; UL 1004-1

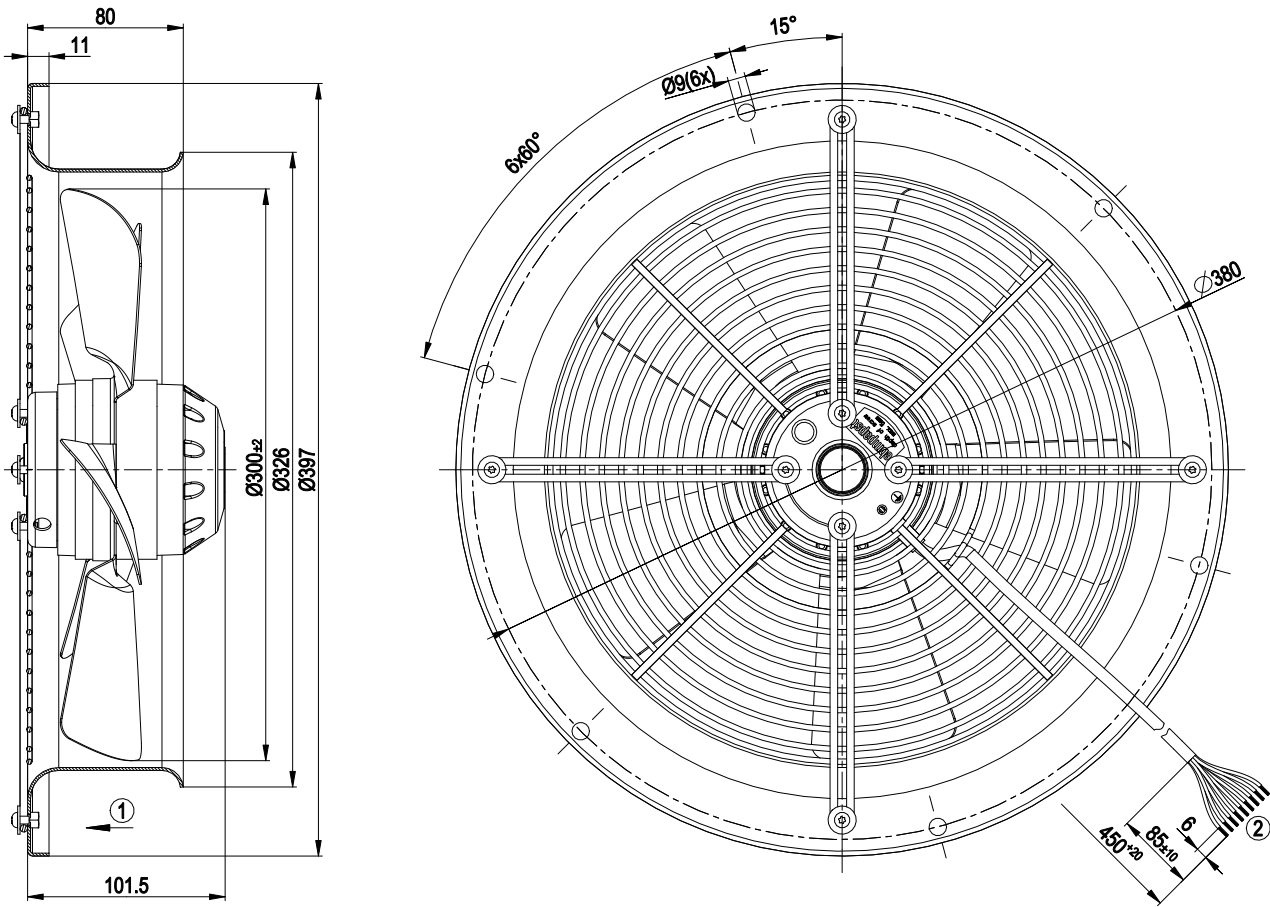


# AC axial fan

straight blades (A series), single-intake

Fan housing with guard grille

## Product drawing



- 1 Direction of air flow "V"
- 2 Cable AWG20 9G, 4x crimped splices

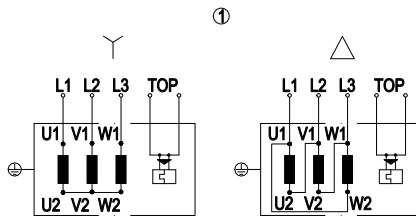


# AC axial fan

straight blades (A series), single-intake

Fan housing with guard grille

## Connection diagram



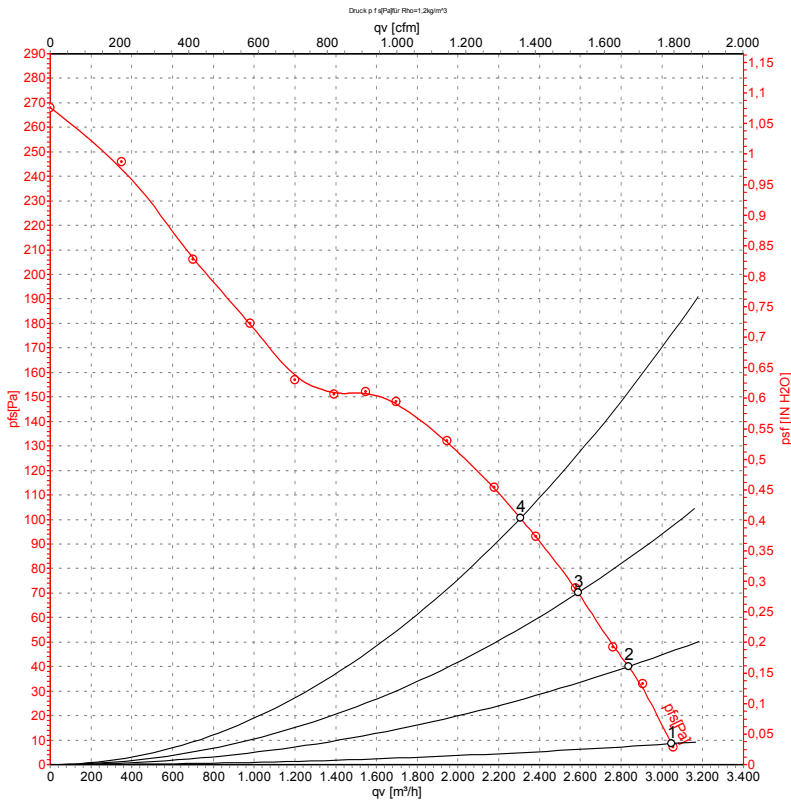
1	Three-phase motor
Y	Star connection
Δ	Delta connection
L1	= U1 = black 2
L2	= V1 = black 1
L3	= W1 = black 3
V2	= black 4
U2	= black 5
W2	= black 6
TOP	(thermal overload protector) 2x yellow

# AC axial fan

straight blades (A series), single-intake

Fan housing with guard grille

## Curves: Air performance 60 Hz



Measurement: LU-12762

Air performance measured according to ISO 5801 installation category A. For detailed information on the measurement setup, contact ebm-papst. Intake sound level: Sound power level according to ISO 13347 / sound pressure level measured at 1 m distance from fan axis. The values given are valid under the specified measuring conditions and may vary due to conditions of installation. For deviations from the standard configuration, the parameters have to be checked on the installed unit.

## Measured values

	U	f	n	P <sub>e</sub>	I	qv	p <sub>fs</sub>
	V	Hz	min <sup>-1</sup>	W	A	m <sup>3</sup> /h	Pa
1	460	60	2800	275	0.38	3050	0
2	460	60	2720	284	0.38	2835	40
3	460	60	2660	295	0.39	2590	70
4	460	60	2595	307	0.40	2305	100

U = Power supply · f = Frequency · n = Speed · P<sub>e</sub> = Power consumption · I = Current draw · qv = Air flow · p<sub>fs</sub> = Pressure increase

