

W1G300-EB19-10

EC axial fan

sickle-shaped blades (S series), single-intake

ESM fan housing

W1G300-EB19-10 ebmpapst Datasheet

sales@fansco.com

www.fansco.com

Limited partnership · Headquarters Muldingen

Amtsgericht (court of registration) Stuttgart · HRA 590344

General partner Elektrobau Muldingen GmbH · Headquarters Muldingen

Amtsgericht (court of registration) Stuttgart · HRB 590142

Nominal data

Type	W1G300-EB19-10	
Motor	M1G055-BI	
Phase		1~
Nominal voltage	VAC	230
Frequency	Hz	50/60
Method of obtaining data		ml
Speed (rpm)	min ⁻¹	1000
Power consumption	W	18
Current draw	A	0.15
Min. ambient temperature	°C	-30
Max. ambient temperature	°C	50

ml = Max. load · me = Max. efficiency · fa = Free air · cs = Customer specification · ce = Customer equipment
Subject to change



EC axial fan

sickle-shaped blades (S series), single-intake

ESM fan housing

Technical description

Weight	1.8 kg
Size	300 mm
Motor size	55
Blade material	PA plastic
Fan housing material	Sheet steel, galvanized and coated with black plastic (RAL 9005)
Number of blades	5
Airflow direction	V
Direction of rotation	Counterclockwise, viewed toward rotor
Degree of protection	IP55
Insulation class	"B"
Moisture (F) / Environmental (H) protection class	H1+
Max. permitted ambient temp. for motor (transport/storage)	+ 80 °C
Min. permitted ambient temp. for motor (transport/storage)	- 40 °C
Installation position	Any
Condensation drainage holes	None
Mode	S1
Motor bearing	Ball bearing
Technical features	<ul style="list-style-type: none"> - ESM+ expandable with plug-in module - Soft start - Thermal overload protection for motor
Speed levels	2
Electrical hookup	Connector with cable
Motor protection	Thermal overload protector (TOP) internally connected
With cable	Lateral
Protection class	II
Conformity with standards	EN 60335-1; EN 60335-2-24; EN 60335-2-80; EN 60335-2-89; CE
Approval	VDE; CSA C22.2 No. 77; UL 1004-3

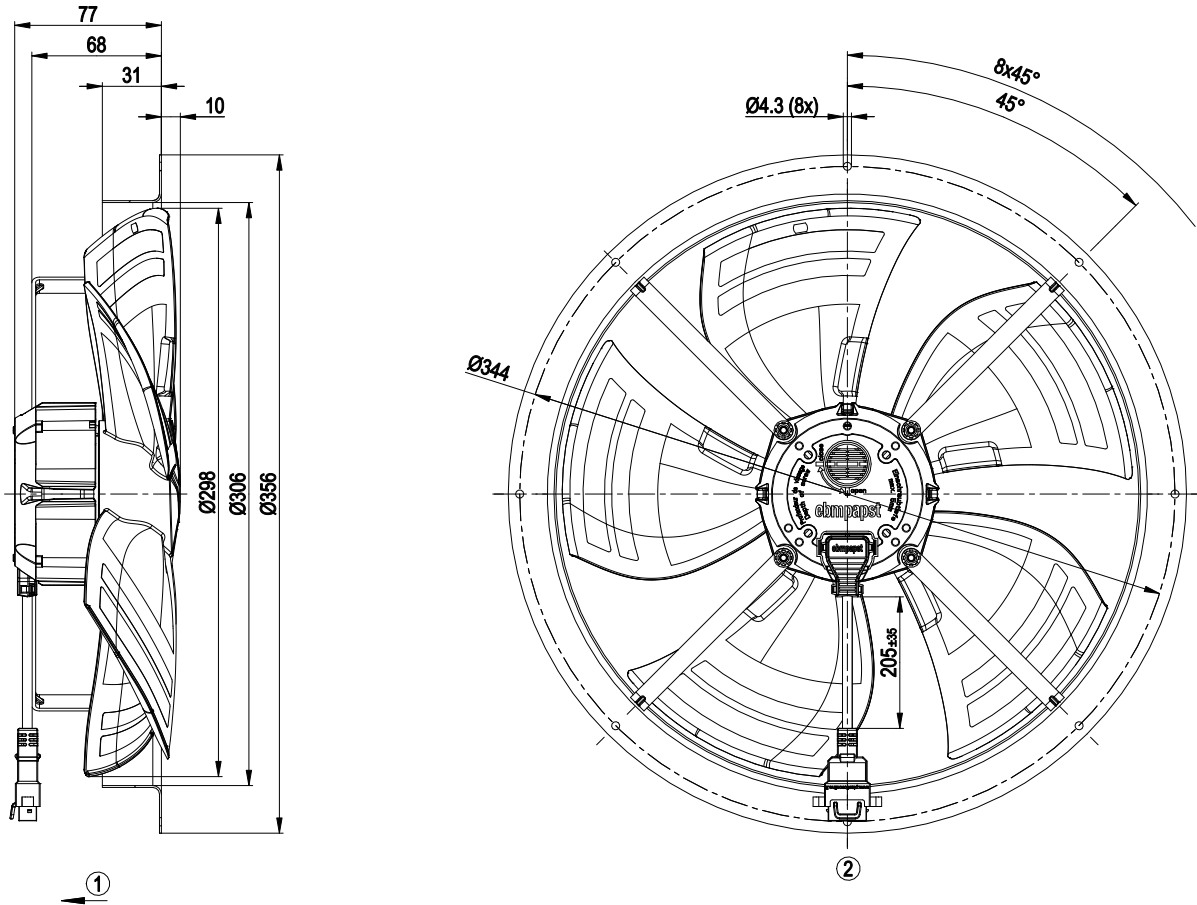


EC axial fan

sickle-shaped blades (S series), single-intake

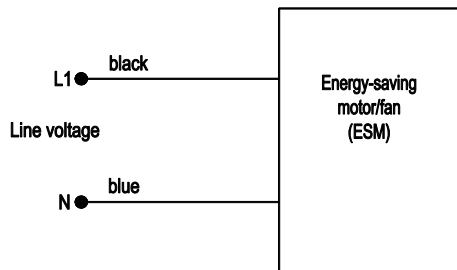
ESM fan housing

Product drawing



- | | |
|---|---|
| 1 | Direction of air flow "V" |
| 2 | Cable PVC 2X 0.5 mm ² with Plastics plug P1113 |

Connection diagram

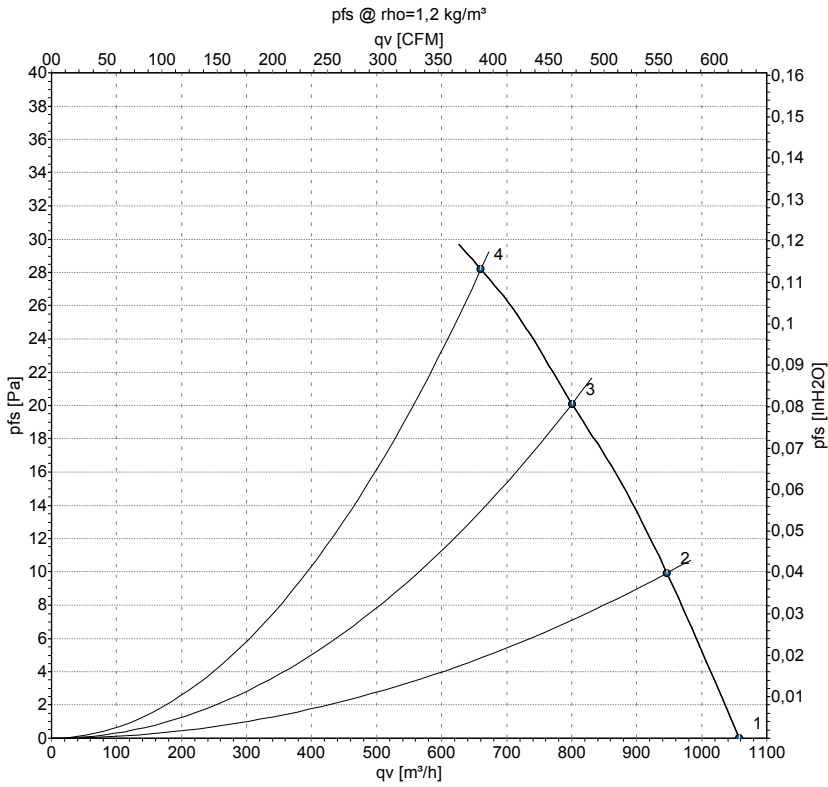


EC axial fan

sickle-shaped blades (S series), single-intake

ESM fan housing

Curves: Air performance 50 Hz



Measurement: LU-133926-1

Air performance measured according to ISO 5801 installation category A. For detailed information on the measurement setup, contact ebm-papst. Intake sound level: Sound power level according to ISO 13347 / sound pressure level measured at 1 m distance from fan axis. The values given are valid under the specified measuring conditions and may vary due to conditions of installation. For deviations from the standard configuration, the parameters have to be checked on the installed unit.

Measured values

	U	f	n	P _{ed}	I	LpA _{in}	LwA _{in}	q _v	p _{fs}	q _v	p _{fs}
	V	Hz	min ⁻¹	W	A	dB(A)	dB(A)	m ³ /h	Pa	cfm	in. wg
1	230	50	1000	11	0.10	48	56	1055	0	620	0.00
2	230	50	1000	14	0.12	47	55	945	10	555	0.04
3	230	50	1000	16	0.13	46	53	800	20	470	0.08
4	230	50	1000	18	0.15	45	53	660	28	390	0.11

U = Voltage · f = Frequency · n = Speed (rpm) · P_{ed} = Power consumption · I = Current draw · LpA_{in} = Sound pressure level intake side · LwA_{in} = Sound power level intake side
 q_v = Air flow · p_{fs} = Pressure increase

