

EC axial fan - ESM

sickle-shaped blades (S series)

ESM fan housing

W1G230-EB89-21 ebmpapst Datasheet

sales@fansco.com

www.fansco.com

Nominal data

Type	W1G230-EB89-21		
Motor	M1G055-BD		
Phase		1~	1~
Nominal voltage	VAC	230	230
Frequency	Hz	50/60	50/60
Method of obtaining data			ml
Speed (rpm)	min ⁻¹	1200	1500
Power consumption	W		26
Current draw	A		0.2
Max. back pressure	Pa		36
Max. back pressure	in. wg		0.14
Min. ambient temperature	°C	-30	-30
Max. ambient temperature	°C	50	50

ml = Max. load · me = Max. efficiency · fa = Free air · cs = Customer specification · ce = Customer equipment
Subject to change



Technical description

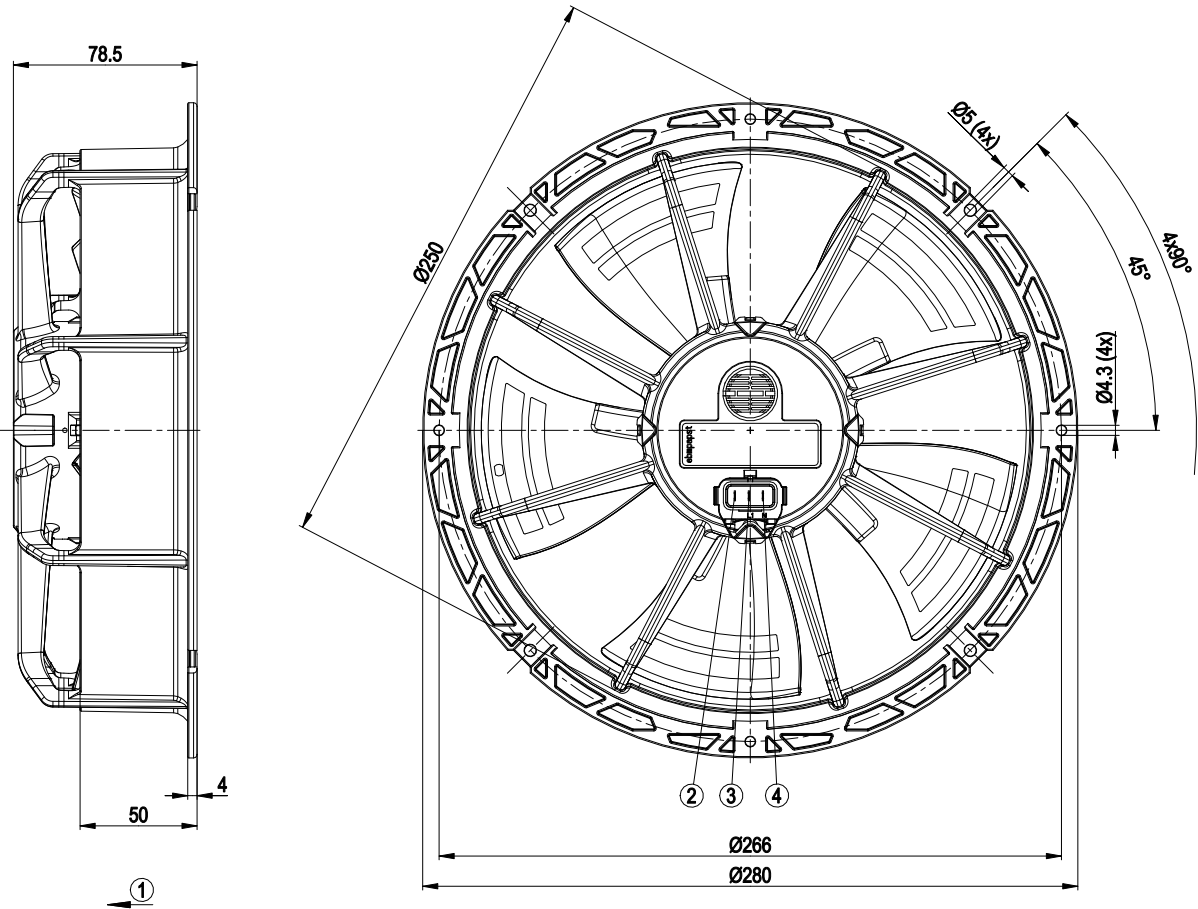
Weight	1 kg
Size	230 mm
Motor size	55
Blade material	PA plastic
Fan housing material	PP plastic
Number of blades	5
Airflow direction	V
Direction of rotation	Counterclockwise, viewed toward rotor
Degree of protection	IP55
Insulation class	"B"
Moisture (F) / Environmental (H) protection class	H1+
Max. permitted ambient temp. for motor (transport/storage)	+80 °C
Min. permitted ambient temp. for motor (transport/storage)	-40 °C
Installation position	Any
Condensation drainage holes	None
Mode	S1
Motor bearing	Ball bearing
Technical features	<ul style="list-style-type: none"> - Speed setting input (230 V) - ESM+ expandable with plug-in module - Soft start - Thermal overload protection for motor
Speed levels	2
EMC immunity to interference	According to EN 61000-6-2 (industrial environment)
EMC circuit feedback	According to EN 61000-3-2/3
EMC interference emission	According to EN 61000-6-3 (household environment)
Electrical hookup	Plug
Motor protection	Thermal overload protector (TOP) internally connected
Protection class	II
Conformity with standards	EN 60335-1; EN 60335-2-24; EN 60335-2-80; EN 60335-2-89; CE
Approval	CSA C22.2 No. 77; EAC; UL 1004-3; VDE

EC axial fan - ESM

sickle-shaped blades (S series)

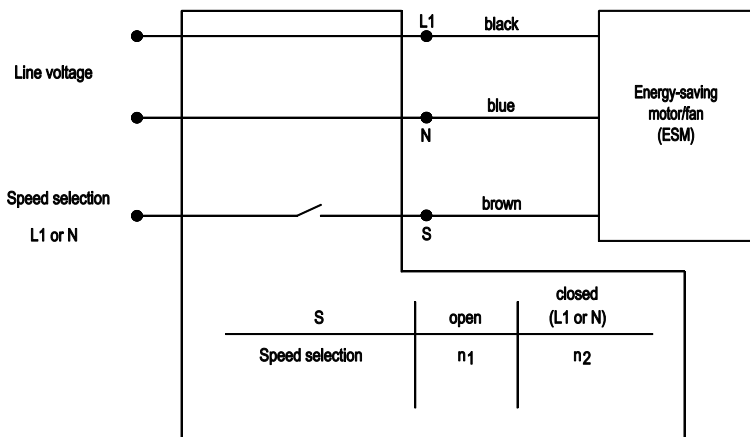
ESM fan housing

Product drawing

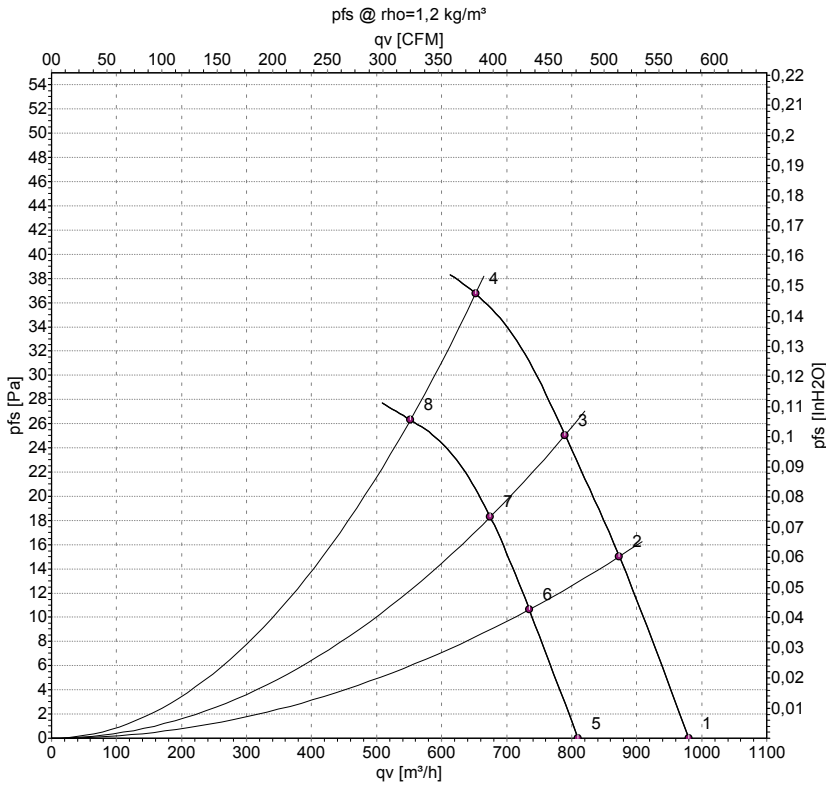


1	Direction of air flow "V"
2	PIN S, speed selection (flat plug 2.8 x 0.5)
3	PIN L1, phase (flat plug 2.8 x 0.5)
4	PIN N, neutral conductor (flat plug 2.8 x 0.5)

Connection diagram



Curves: Air performance 50 Hz



Measurement: LU-112479-1
Measurement: LU-134299-1

Air performance measured according to ISO 5801 installation category A. For detailed information on the measurement setup, contact ebm-papst. Intake sound level: Sound power level according to ISO 13347 / sound pressure level measured at 1 m distance from fan axis. The values given are valid under the specified measuring conditions and may vary due to conditions of installation. For deviations from the standard configuration, the parameters have to be checked on the installed unit.

Measured values

	U	f	n	P _{ed}	I	LpA _{in}	LwA _{in}	q _v	p _{fs}	q _v	p _{fs}
	V	Hz	min ⁻¹	W	A	dB(A)	dB(A)	m ³ /h	Pa	cfm	in. wg
1	230	50	1500	24	0.19	51	58	980	0	575	0.00
2	230	50	1500	24	0.18	51	58	875	15	515	0.06
3	230	50	1500	25	0.19	50	58	790	25	465	0.10
4	230	50	1500	26	0.20	48	56	650	36	385	0.14
5	230	50	1200	16	0.14			810	0	475	0.00
6	230	50	1200	18	0.15			735	11	435	0.04
7	230	50	1200	18	0.15			675	18	395	0.07
8	230	50	1200	18	0.15			550	26	325	0.10

U = Voltage · f = Frequency · n = Speed (rpm) · P_{ed} = Power consumption · I = Current draw · LpA_{in} = Sound pressure level intake side · LwA_{in} = Sound power level intake side
q_v = Air flow · p_{fs} = Pressure increase

