

W1G200-EX95-01

II 3G Ex nA IIA T4 Gc (-30°C ≤ TA ≤ +40°C) X

EC axial fan - ESM

sickle-shaped blades (S series), single-intake

ESM fan housing



W1G200-EX95-01 ebmpapst Datasheet

sales@fansco.com

www.fansco.com

Limited partnership · Headquarters Muldingen

Amtsgericht (court of registration) Stuttgart · HRA 590344

General partner Elektrobau Muldingen GmbH · Headquarters Muldingen

Amtsgericht (court of registration) Stuttgart · HRB 590142


Nominal data

Type	W1G200-EX95-01		
Motor	M1G055-BD		
Phase		1~	1~
Nominal voltage	VAC	115	115
Frequency	Hz	50/60	50/60
Method of obtaining data			ml
Speed (rpm)	min ⁻¹	1500	2100
Power consumption	W		31
Current draw	A		0.46
Max. back pressure	Pa		55
Max. back pressure	in. wg		0.22
Min. ambient temperature	°C	-30	-30
Max. ambient temperature	°C	40	40

ml = Max. load · me = Max. efficiency · fa = Free air · cs = Customer specification · ce = Customer equipment
Subject to change



W1G200-EX95-01

 II 3G Ex nA IIA T4 Gc (-30°C ≤ TA ≤ +40°C) X

EC axial fan - ESM

sickle-shaped blades (S series), single-intake

ESM fan housing



Technical description

Weight	1 kg
Size	200 mm
Motor size	55
Blade material	PA plastic
Fan housing material	PC/ABS plastic
Number of blades	5
Airflow direction	V
Direction of rotation	Counterclockwise, viewed toward rotor
Degree of protection	IP54
Insulation class	"B"
Moisture (F) / Environmental (H) protection class	H1+
Max. permitted ambient temp. for motor (transport/storage)	+ 80 °C
Min. permitted ambient temp. for motor (transport/storage)	- 40 °C
Installation position	Any
Condensation drainage holes	None
Mode	S1
Motor bearing	Ball bearing
Technical features	<ul style="list-style-type: none">- Speed selection max./min.- Soft start- Thermal overload protection for motor
Speed levels	2
Motor protection	Thermal overload protector (TOP) internally connected
With cable	Lateral
Protection class	II
Conformity with standards	EN 60335-1; EN 60335-2-89; 3G; CE
Approval	3G; VDE; CSA C22.2 No. 77; UL 1004-3
Comment	Fan application category BV-3



W1G200-EX95-01

II 3G Ex nA IIA T4 Gc (-30°C ≤ TA ≤ +40°C) X

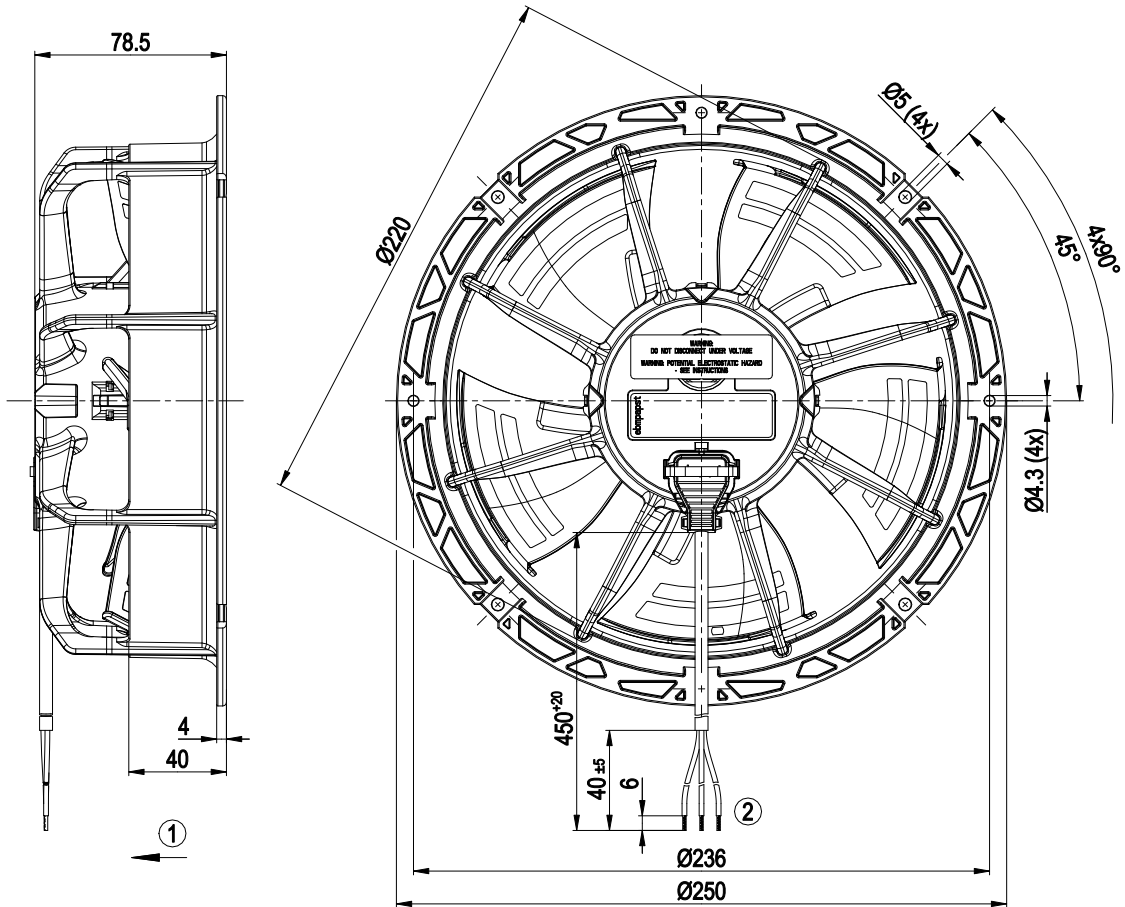
EC axial fan - ESM

sickle-shaped blades (S series), single-intake

ESM fan housing



Product drawing

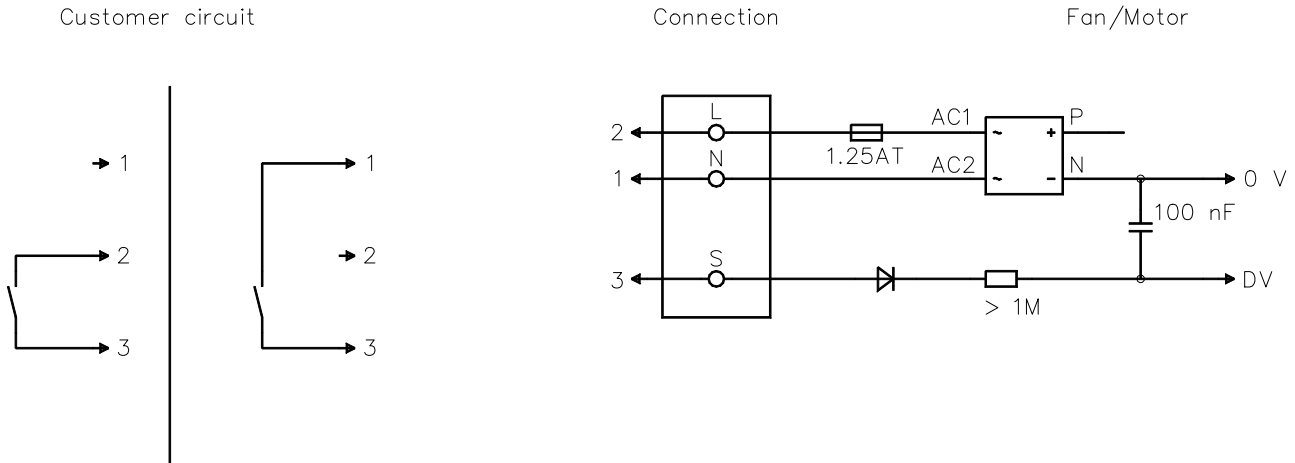


- | | |
|---|-----------------------|
| 1 | Airflow direction "V" |
| 2 | Cable PVC AWG20 |
| | 3x splice |





Connection diagram

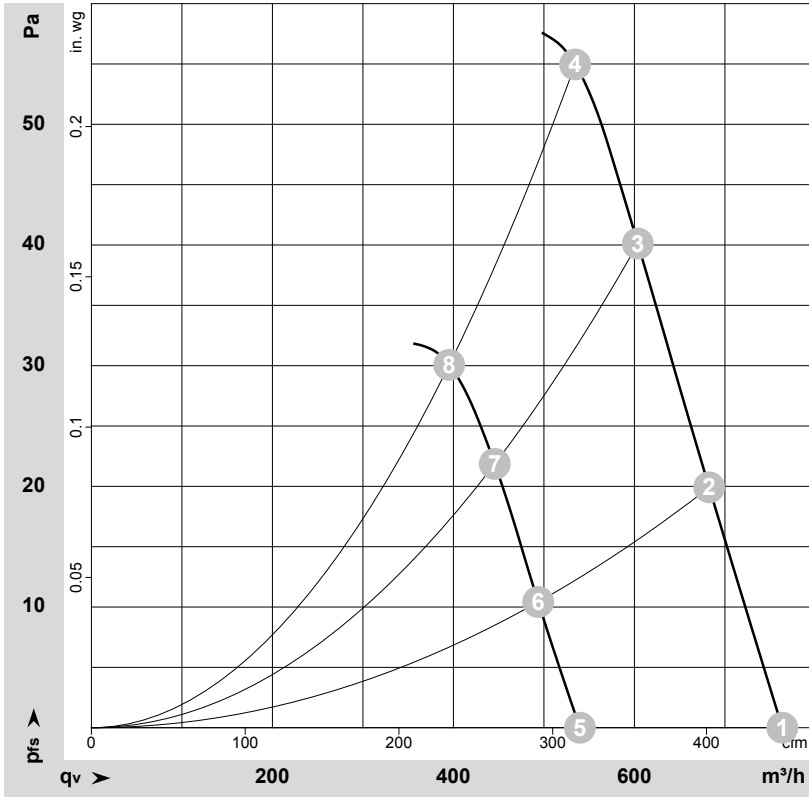


No.	Conn.	Designation	Color	Function/assignment
1	N		blue	Neutral conductor
2	L		black	Power supply 115 VAC, 50-60 Hz, see nameplate for voltage range
3	S		brown	Speed selection: switch open speed 1 (fast), switch closed speed 2 (slow)





Curves: Air performance 50 Hz



$\rho = 1.15 \text{ kg/m}^3 \pm 2 \%$

Measurement: LU-127262-1
Measurement: LU-127268-1

Air performance measured according to ISO 5801 installation category A. For detailed information on the measurement setup, contact ebm-papst. Intake sound level: Sound power level according to ISO 13347 / sound pressure level measured at 1 m distance from fan axis. The values given are valid under the specified measuring conditions and may vary due to conditions of installation. For deviations from the standard configuration, the parameters have to be checked on the installed unit.

Measured values

	Stage	Wired	U	f	n	P _{ed}	I	LpA _{in}	LwA _{in}	q _v	p _{fs}	q _v	p _{fs}
			V	Hz	min ⁻¹	W	A	dB(A)	dB(A)	m ³ /h	Pa	cfm	in. wg
1	1	1~	115	50	2100	28	0.42	55	62	765	0	450	0.00
2	1	1~	115	50	2100	30	0.45	54	62	685	20	400	0.08
3	1	1~	115	50	2100	31	0.46	53	60	605	40	355	0.16
4	1	1~	115	50	2100	31	0.46	53	60	535	55	315	0.22
5	1	1~	115	50	1500	14	0.22	46	54	540	0	320	0.00
6	1	1~	115	50	1500	15	0.22	46	54	495	10	290	0.04
7	1	1~	115	50	1500	16	0.25	46	53	445	22	265	0.09
8	1	1~	115	50	1500	17	0.26	45	53	395	31	230	0.12

Wired = Wiring · U = Voltage · f = Frequency · n = Speed (rpm) · P_{ed} = Power consumption · I = Current draw · LpA_{in} = Sound pressure level intake side · LwA_{in} = Sound power level intake side
q_v = Air flow · p_{fs} = Pressure increase

