

W1G200-EG57-01 ebmpapst Datasheet

sales@fansco.com

www.fansco.com

Nominal data

Type	W1G200-EG57-01		
Motor	M1G055-AI		
Phase		1~	1~
Nominal voltage	VAC	230	230
Nominal voltage range	VAC	200 .. 240	200 .. 240
Frequency	Hz	50/60	50/60
Method of obtaining data		ml	
Speed (rpm)	min ⁻¹	1600	1100
Power consumption	W	15	
Current draw	A	0.13	
Max. back pressure	Pa	35	
Max. back pressure	in. wg	0.14	
Min. ambient temperature	°C	-30	-30
Max. ambient temperature	°C	50	50

ml = Max. load · me = Max. efficiency · fa = Free air · cs = Customer specification · ce = Customer equipment
Subject to change



Technical description

Weight	1 kg
Size	200 mm
Motor size	55
Blade material	PP plastic
Fan housing material	PP plastic
Number of blades	5
Airflow direction	V
Direction of rotation	Counterclockwise, viewed toward rotor
Degree of protection	IP55
Insulation class	"B"
Moisture (F) / Environmental (H) protection class	H1+
Max. permitted ambient temp. for motor (transport/storage)	+ 80 °C
Min. permitted ambient temp. for motor (transport/storage)	- 40 °C
Installation position	Any
Condensation drainage holes	None
Mode	S1
Motor bearing	Ball bearing
Technical features	<ul style="list-style-type: none"> - Speed setting input (230 V) - Power limiter - Motor current limitation - Soft start - Thermal overload protection for motor
Speed levels	2
EMC immunity to interference	According to EN 61000-6-2 (industrial environment)
EMC circuit feedback	According to EN 61000-3-2/3
EMC interference emission	According to EN 61000-6-3 (household environment)
With cable	Lateral
Protection class	II
Conformity with standards	EN 60335-1; EN 60335-2-24; EN 60335-2-80; EN 60335-2-89; CE; UKCA
Approval	EAC; VDE

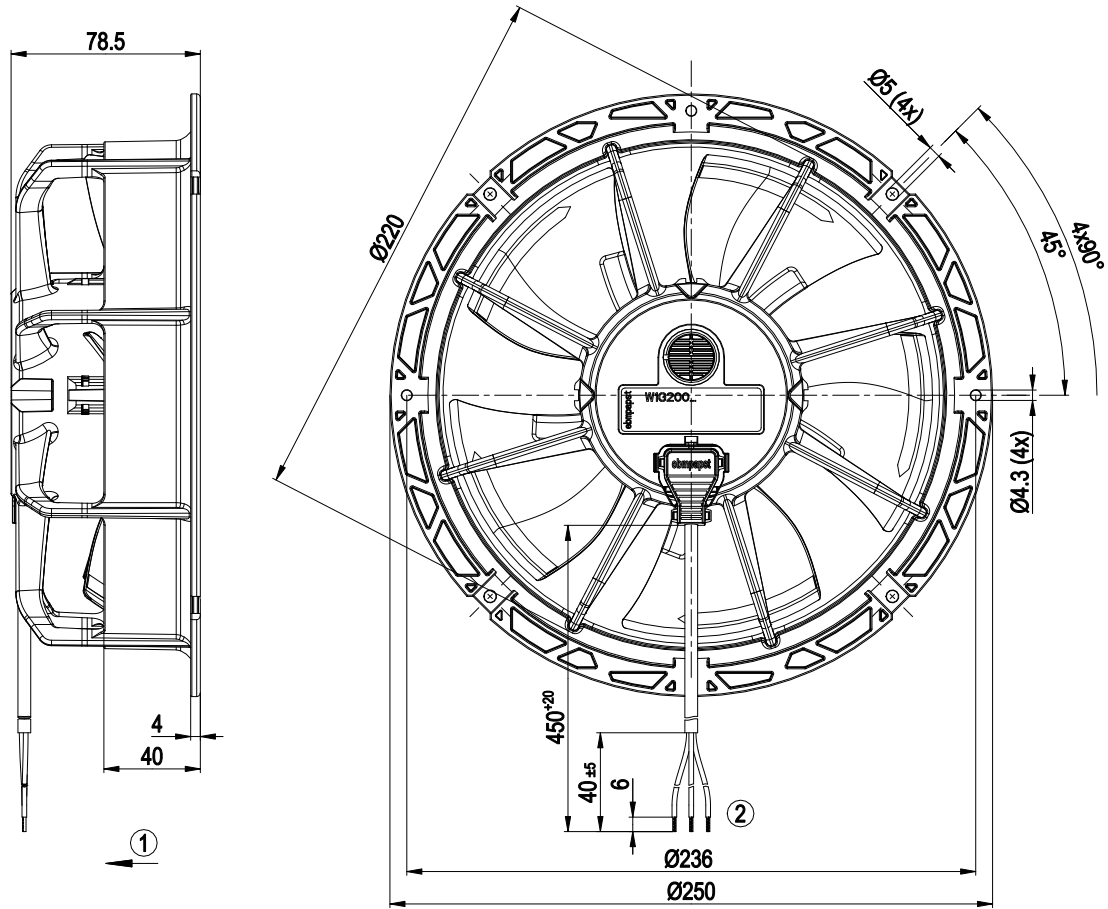
W1G200-EG57-01

EC axial fan - ESM

sickle-shaped blades (S series)

ESM fan housing

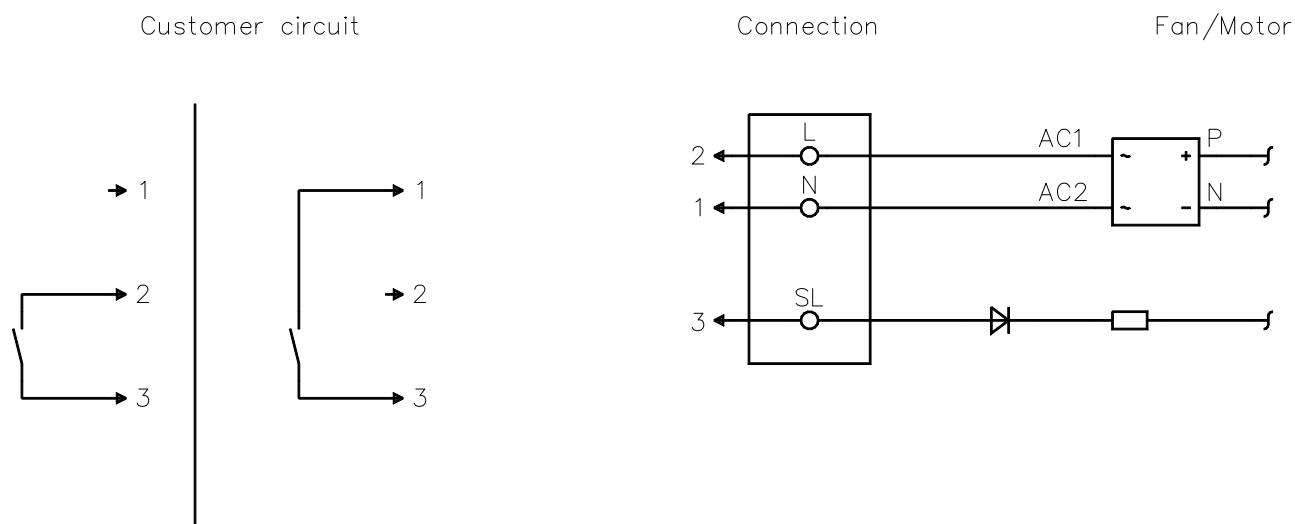
Product drawing



- | | |
|---|-----------------------|
| 1 | Airflow direction "V" |
| 2 | Cable PVC AWG20 |
| | 3x splice |



Connection diagram



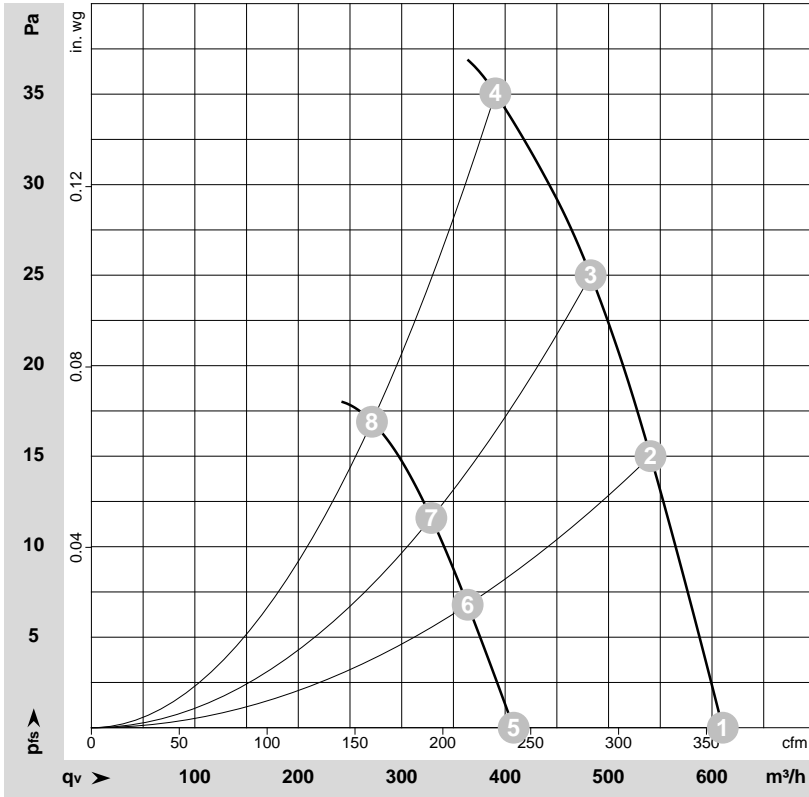
No.	Conn.	Designation	Color	Function/assignment
1	N		blue	Power supply, neutral conductor, see nameplate for voltage range
2	L		black	Power supply, phase, see nameplate for voltage range
3	SL		brown	Speed selection: switch open speed 1, switch closed speed 2

EC axial fan - ESM

sickle-shaped blades (S series)

ESM fan housing

Curves: Air performance 50 Hz



$\rho = 1.15 \text{ kg/m}^3 \pm 2 \%$

Measurement: LU-193131-1
Measurement: LU-193162-1

Air performance measured according to ISO 5801 installation category A. For detailed information on the measurement setup, contact ebm-papst. Intake sound level: Sound power level according to ISO 13347 / sound pressure level measured at 1 m distance from fan axis. The values given are valid under the specified measuring conditions and may vary due to conditions of installation. For deviations from the standard configuration, the parameters have to be checked on the installed unit.

Measured values

	Stage	Wired	U	f	n	P _{ed}	I	LpA _{in}	LwA _{in}	q _v	p _{fs}	q _v	p _{fs}
			V	Hz	min ⁻¹	W	A	dB(A)	dB(A)	m ³ /h	Pa	cfm	in. wg
1	2	1~	230	50	1600	12	0.11	45	52	610	0	360	0.00
2	2	1~	230	50	1600	14	0.13	42	50	540	15	320	0.06
3	2	1~	230	50	1600	15	0.13	42	50	485	25	285	0.10
4	2	1~	230	50	1600	15	0.13	45	53	390	35	230	0.14
5	1	1~	230	50	1100	5.0	0.05	33	41	410	0	240	0.00
6	1	1~	230	50	1100	5.0	0.06	31	39	365	7	215	0.03
7	1	1~	230	50	1100	5.0	0.06	31	40	330	12	195	0.05
8	1	1~	230	50	1100	6.0	0.06	33	42	270	17	160	0.07

Wired = Wiring · U = Voltage · f = Frequency · n = Speed (rpm) · P_{ed} = Power consumption · I = Current draw · LpA_{in} = Sound pressure level intake side · LwA_{in} = Sound power level intake side
q_v = Air flow · p_{fs} = Pressure increase

