

W1G200-EC95-70

EC axial fan - ESM

sickle-shaped blades (S series)

ESM fan housing



W1G200-EC95-70 ebmpapst Datasheet FansCo

sales@fansco.com

www.fansco.com

Nominal data

Type	W1G200-EC95-70		
Motor	M1G055-BD		
Phase		1~	1~
Nominal voltage	VAC	115	115
Frequency	Hz	50/60	50/60
Method of obtaining data		ml	ml
Status		prelim.	prelim.
Speed (rpm)	min ⁻¹	2000	1800
Power consumption	W	30	
Current draw	A	0.45	
Max. back pressure	Pa	50	
Max. back pressure	in. wg	0.2	
Max. ambient temperature	°C	50	

ml = Max. load · me = Max. efficiency · fa = Free air · cs = Customer specification · ce = Customer equipment
Subject to change



Technical description

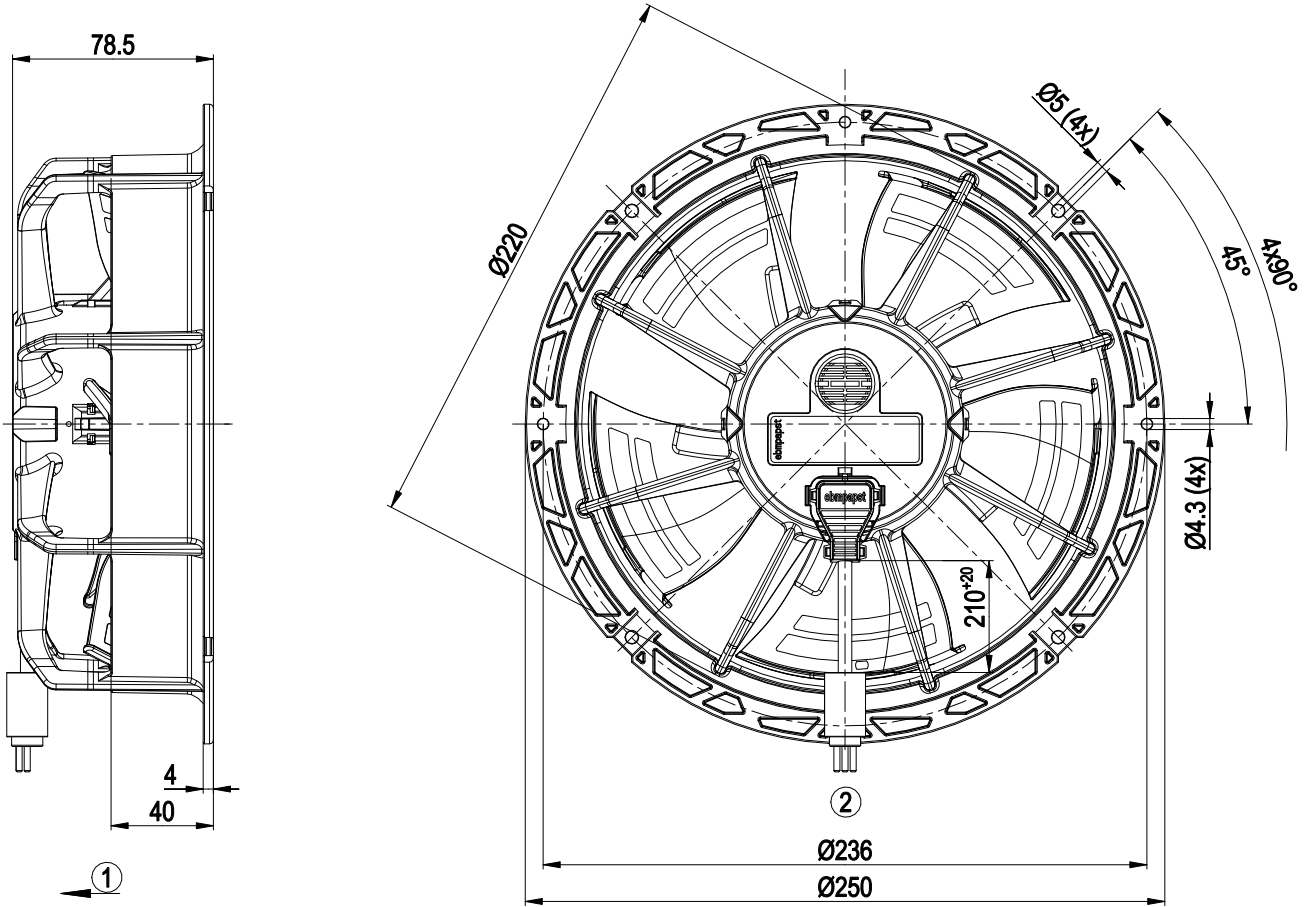
Weight	1 kg
Size	200 mm
Motor size	55
Blade material	PA plastic
Fan housing material	PP plastic
Number of blades	5
Airflow direction	V
Direction of rotation	Counterclockwise, viewed toward rotor
Degree of protection	IP55
Insulation class	"B"
Moisture (F) / Environmental (H) protection class	H1+
Max. permitted ambient temp. for motor (transport/storage)	+ 80 °C
Min. permitted ambient temp. for motor (transport/storage)	- 40 °C
Installation position	Any
Condensation drainage holes	None
Mode	S1
Motor bearing	Ball bearing
Technical features	<ul style="list-style-type: none"> - Speed setting input - ESM+ expandable with plug-in module - Soft start - Thermal overload protection for motor
Speed levels	2
EMC immunity to interference	According to EN 61000-6-2 (industrial environment)
EMC interference emission	According to EN 61000-6-3 (household environment)
Electrical hookup	Connector with cable
Motor protection	Thermal overload protector (TOP) internally connected
With cable	Lateral
Protection class	II
Conformity with standards	EN 60034-1; EN 60204-1
Approval	CSA C22.2 No. 77; UL 1004-3

EC axial fan - ESM

sickle-shaped blades (S series)

ESM fan housing

Product drawing



1	Airflow direction "V"
2	Cable AWG18
3-pole connector housing EMF Corporation P-3-4-100, 3x plug contact HS United European 52 310 140	



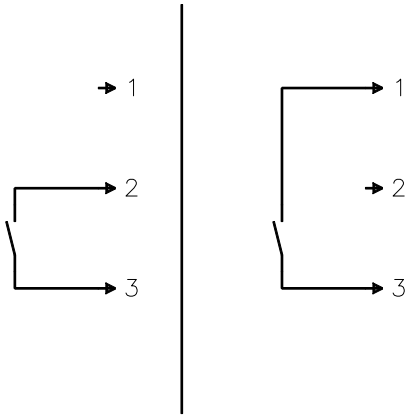
EC axial fan - ESM

sickle-shaped blades (S series)

ESM fan housing

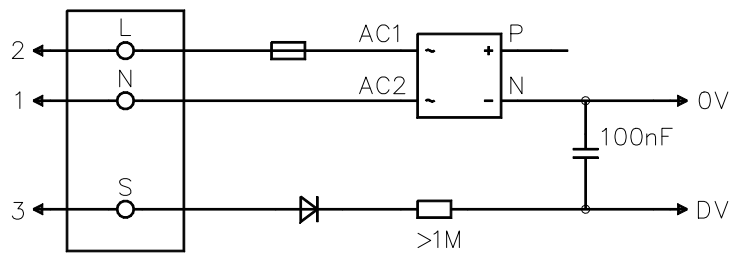
Connection diagram

Customer circuit



Connection

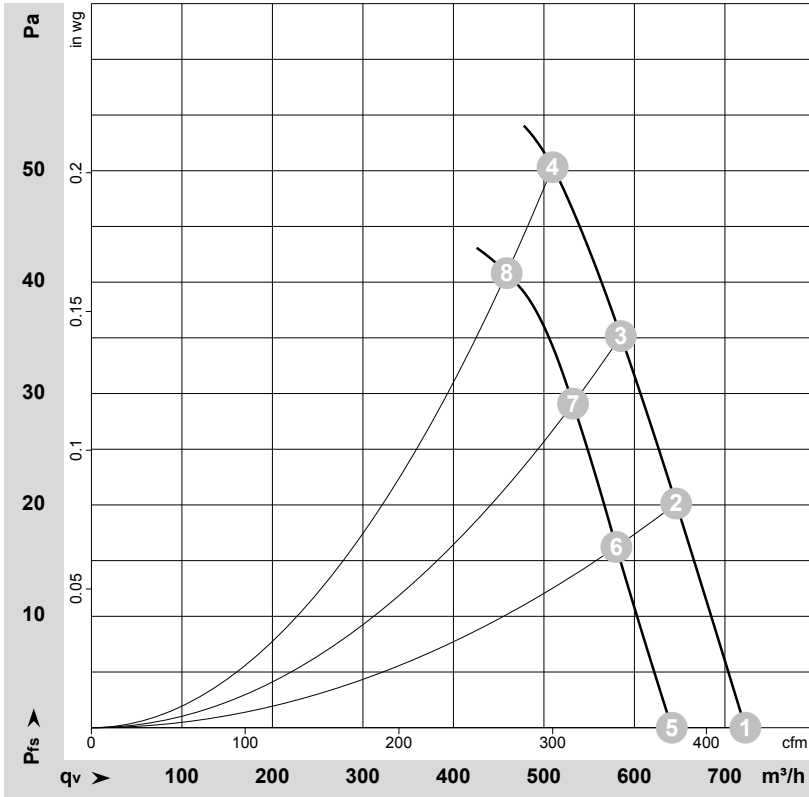
Fan/Motor



No.	Conn.	Designation	Function/assignment
1	N		Neutral conductor
2	L		Power supply 115 VAC, 50 - 60 Hz, see nameplate for voltage range
3	S		Speed selection: switch open speed 1 (fast), switch closed speed 2 (slow)



Curves: Air performance 50 Hz



$\rho = 1.15 \text{ kg/m}^3 \pm 2 \%$

Measurement: LU-117583-1
Measurement: LU-132845-1

Air performance measured according to ISO 5801 installation category A. For detailed information on the measurement setup, contact ebm-papst. Intake sound level: Sound power level according to ISO 13347 / sound pressure level measured at 1 m distance from fan axis. The values given are valid under the specified measuring conditions and may vary due to conditions of installation. For deviations from the standard configuration, the parameters have to be checked on the installed unit.

Measured values

	Stage	U	f	n	P _{ed}	I	q _v	P _{fs}	q _v	P _{fs}
		V	Hz	min ⁻¹	W	A	m ³ /h	Pa	cfm	in. wg
1	2	115	50	2000	26	0.38	725	0	425	0.00
2	2	115	50	2000	28	0.41	645	20	380	0.08
3	2	115	50	2000	29	0.42	585	35	345	0.14
4	2	115	50	2000	30	0.45	510	50	300	0.20
5	1	115	50	1800	20	0.30	640	0	375	0.00
6	1	115	50	1800	22	0.33	580	16	340	0.06
7	1	115	50	1800	23	0.34	530	29	315	0.12
8	1	115	50	1800	22	0.33	460	41	270	0.16

U = Voltage · f = Frequency · n = Speed (rpm) · P_{ed} = Power consumption · I = Current draw · q_v = Air flow · P_{fs} = Pressure increase

