

W1G200-EC95-52

EC axial fan

sickle-shaped blades (S series), single-intake

ESM fan housing



W1G200-EC95-52 ebmpapst Datasheet

sales@fansco.com

www.fansco.com

Limited partnership · Headquarters Muldingen

Amtsgericht (court of registration) Stuttgart · HRA 590344

General partner Elektrobau Muldingen GmbH · Headquarters Muldingen

Amtsgericht (court of registration) Stuttgart · HRB 590142

Nominal data

Type	W1G200-EC95-52	
Motor	M1G055-BD	
Phase		1~
Nominal voltage	VAC	115
Frequency	Hz	50/60
Method of obtaining data		ml
Speed (rpm)	min ⁻¹	2100
Power consumption	W	31
Current draw	A	0.46
Max. back pressure	Pa	55
Max. back pressure	inH ₂ O	0.22
Min. ambient temperature	°C	-30
Max. ambient temperature	°C	50

ml = Max. load · me = Max. efficiency · fa = Free air · cs = Customer specification · ce = Customer equipment
Subject to change



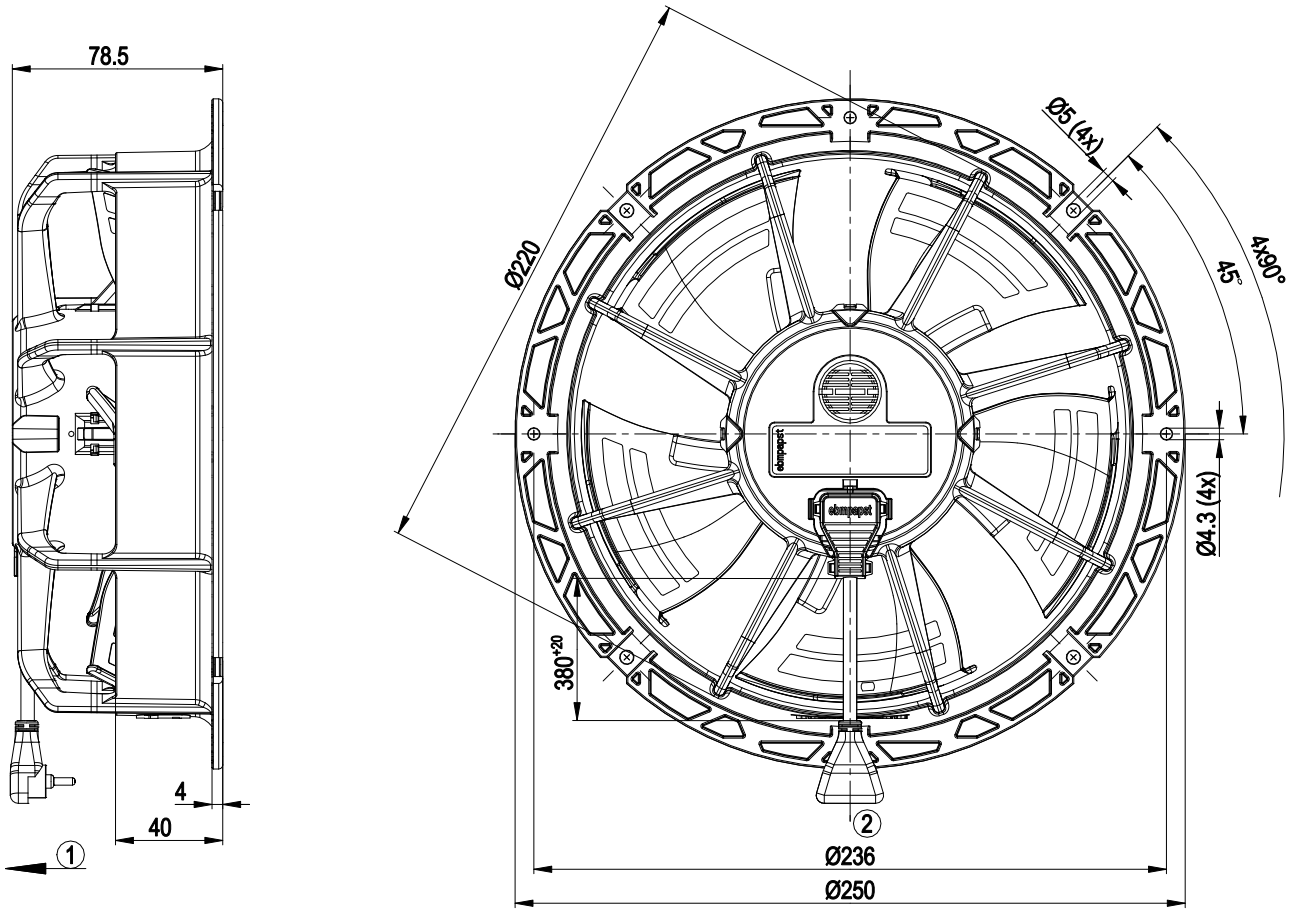
Technical description

Weight	1 kg
Fan size	200 mm
Blade material	PA plastic
Fan housing material	PP plastic
Number of blades	5
Airflow direction	"V"
Direction of rotation	Counterclockwise, viewed toward rotor
Degree of protection	IP54
Insulation class	"B"
Moisture (F) / Environmental (H) protection class	H1
Max. permitted ambient temp. for motor (transport/storage)	+ 80 °C
Min. permitted ambient temp. for motor (transport/storage)	- 40 °C
Installation position	Any
Condensation drainage holes	None
Mode	S1
Motor bearing	Ball bearing
Technical features	<ul style="list-style-type: none"> - Speed setting input (230 V) - ESM+ expandable with plug-in module - Soft start - Thermal overload protection for motor
EMC immunity to interference	According to EN 61000-6-2 (industrial environment)
EMC circuit feedback	According to EN 61000-3-2/3
EMC interference emission	According to EN 61000-6-3 (household environment)
Electrical hookup	With plug
Motor protection	Thermal overload protector (TOP) internally connected
With cable	Lateral
Protection class	II
Approval	CSA C22.2 No. 77; UL 1004-3; EAC

EC axial fan

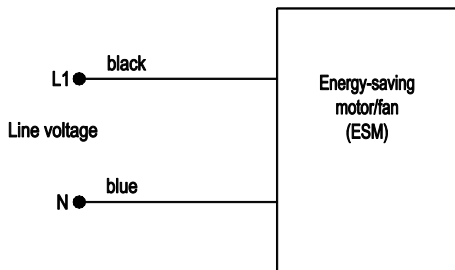
sickle-shaped blades (S series), single-intake
ESM fan housing

Product drawing

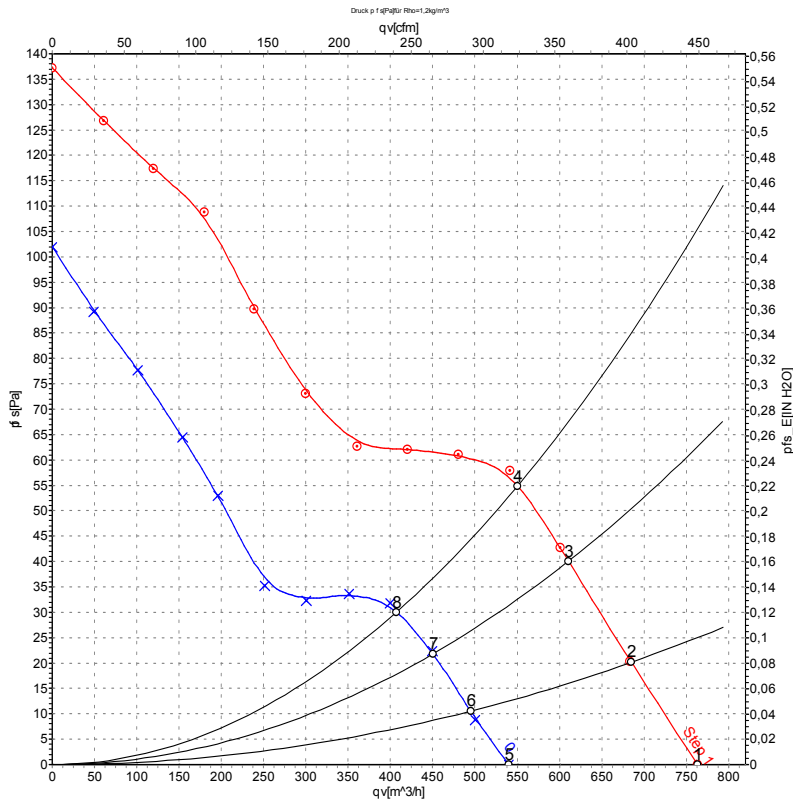


- 1 Direction of air flow "V"
- 2 Cable AWG20, 2x crimped plug contact Heyco 7033 with plug similar to EMF Corporation P-2-3

Connection diagram



Curves: Air performance 50 Hz



Measurement: LU-127262-1
Measurement: LU-127268-1

Air performance measured according to ISO 5801 installation category A. For detailed information on the measurement setup, contact ebm-papst. Intake sound level: Sound power level according to ISO 13347 / sound pressure level measured at 1 m distance from fan axis. The values given are valid under the specified measuring conditions and may vary due to conditions of installation. For deviations from the standard configuration, the parameters have to be checked on the installed unit.

Measured values

	Stage	U	f	n	P_{ed}	I	$L_{wA_{in}}$	q_v	P_{fs}	q_v	P_{fs}
		V	Hz	min ⁻¹	W	A	dB(A)	m ³ /h	Pa	cfm	inH ₂ O
1	1	115	50	2100	28	0.42	62	765	0	450	0.00
2	1	115	50	2100	30	0.45	61	685	20	405	0.08
3	1	115	50	2100	31	0.46	60	610	40	360	0.16
4	1	115	50	2100	31	0.46	62	550	55	325	0.22
5	1	115	50	1500	14	0.22	54	540	0	320	0.00
6	1	115	50	1500	15	0.22	54	495	10	290	0.04
7	1	115	50	1500	16	0.26	53	450	22	265	0.09
8	1	115	50	1500	16	0.26	55	405	30	240	0.12

U = Power supply · f = Frequency · n = Speed (rpm) · P_{ed} = Power consumption · I = Current draw · $L_{wA_{in}}$ = Sound power level intake side · q_v = Air flow · P_{fs} = Pressure increase

