

W1G200-EC91-58

EC axial fan - ESM

sickle-shaped blades (S series), single-intake

ESM fan housing



W1G200-EC91-58 ebmpapst Datasheet

sales@fansco.com

www.fansco.com

Limited partnership · Headquarters Muldingen

Amtsgericht (court of registration) Stuttgart · HRA 590344

General partner Elektrobau Muldingen GmbH · Headquarters Muldingen

Amtsgericht (court of registration) Stuttgart · HRB 590142

Nominal data

Type	W1G200-EC91-58	
Motor	M1G055-BD	
Phase		1~
Nominal voltage	VAC	115
Frequency	Hz	50/60
Method of obtaining data		ml
Speed	min ⁻¹	650
Power consumption	W	1.7
Current draw	A	0.03
Max. back pressure	Pa	5
Min. ambient temperature	°C	-30
Max. ambient temperature	°C	50

ml = Max. load · me = Max. efficiency · fa = Free air · cs = Customer specification · ce = Customer equipment
Subject to change



Technical description

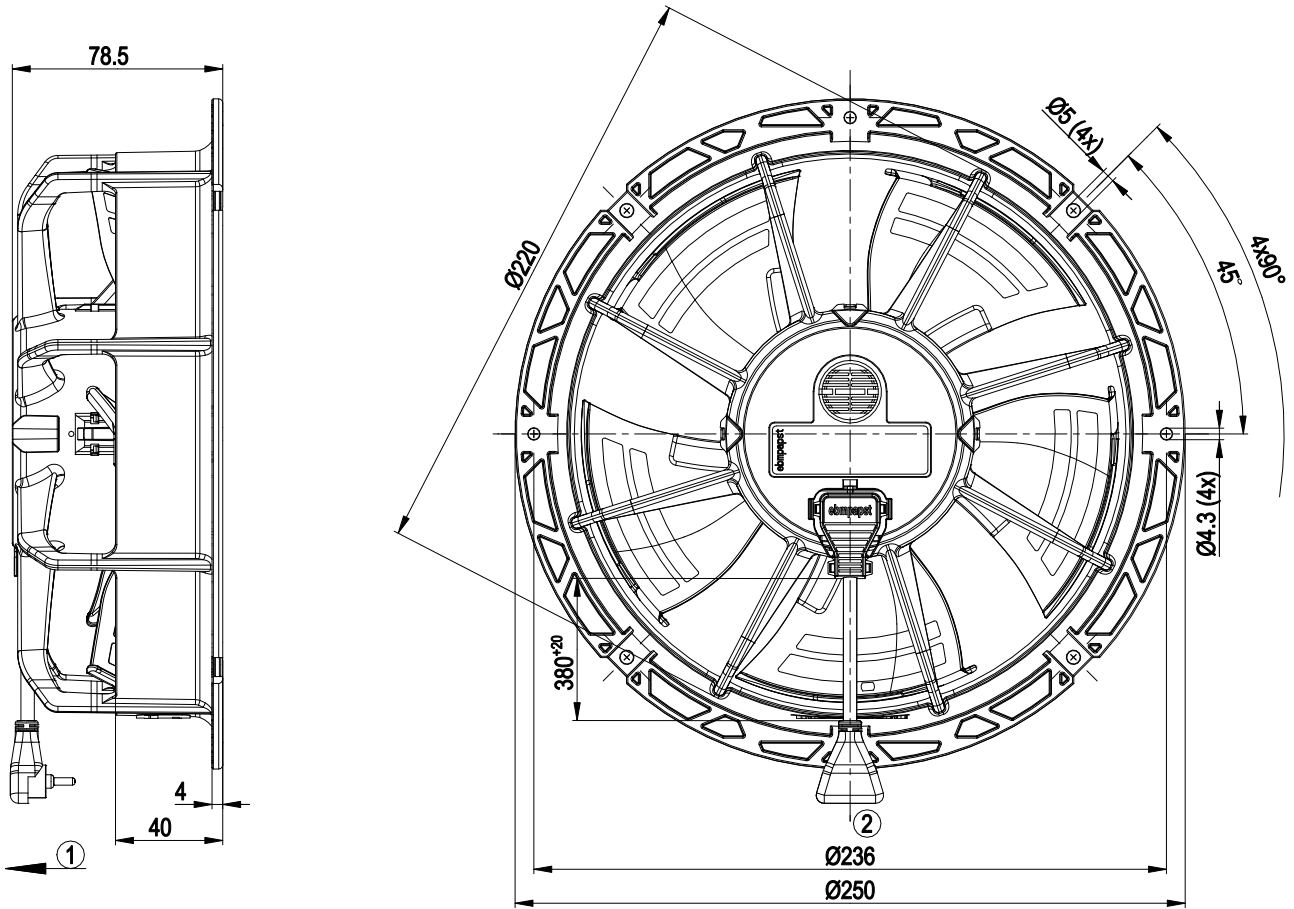
Weight	1 kg
Fan size	200 mm
Blade material	PA plastic
Fan housing material	PP plastic
Number of blades	5
Airflow direction	"V"
Direction of rotation	Counterclockwise, viewed toward rotor
Degree of protection	IP54
Insulation class	"B"
Moisture protection class	F3-1
Max. permitted ambient temp. for motor (transport/storage)	+ 80 °C
Min. permitted ambient temp. for motor (transport/storage)	- 40 °C
Installation position	Any
Condensation drainage holes	None
Mode	S1
Motor storage	Ball bearing
Technical features	<ul style="list-style-type: none"> - ESM+ expandable with plug-in module - Soft start - Thermal overload protection for motor
EMC immunity to interference	According to EN 61000-6-2 (industrial environment)
EMC interference emission	According to EN 61000-6-3 (household environment)
Motor protection	Thermal overload protector (TOP) internally connected
With cable	Lateral
Protection class	II
Conformity with standards	EN 60335-1; CE
Approval	VDE; UL 2111; CSA C22.2 No. 77

EC axial fan - ESM

sickle-shaped blades (S series), single-intake

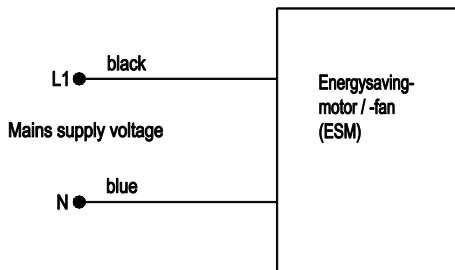
ESM fan housing

Product drawing



- 1 Direction of air flow "V"
- 2 Cable AWG20, 2x crimped plug contact Heyco 7033 with plug similar to EMF Corporation P-2-3

Connection diagram

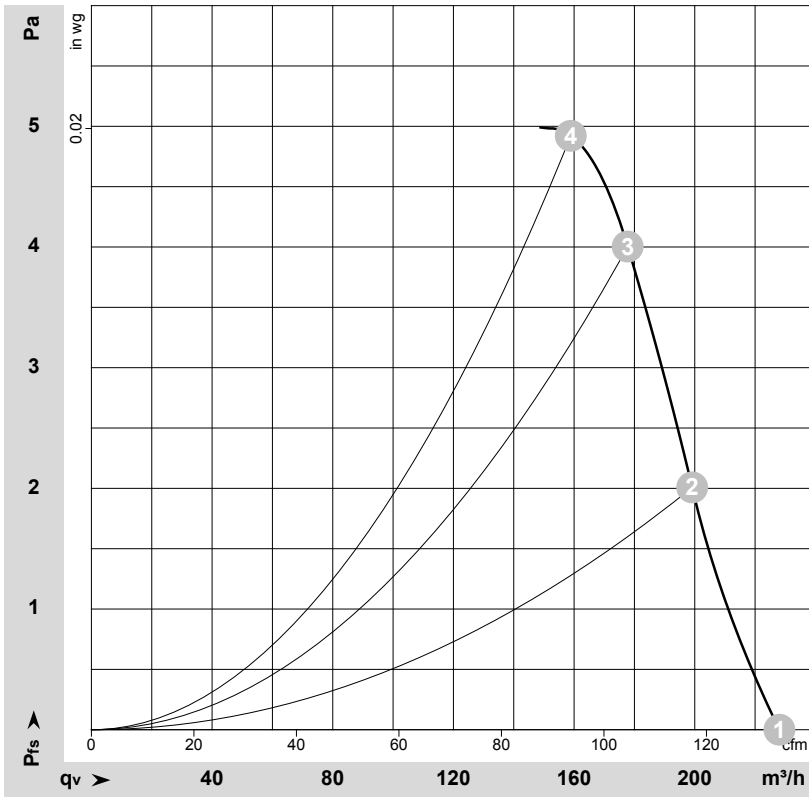


EC axial fan - ESM

sickle-shaped blades (S series), single-intake

ESM fan housing

Curves: Air performance 50 Hz



$\rho = 1,15 \text{ kg/m}^3 \pm 2\%$

Measurement: LU-169688

Air performance measured according to ISO 5801 installation category A. For detailed information on the measurement setup, contact ebm-papst. Intake sound level: Sound power level according to ISO 13347 / sound pressure level measured at 1 m distance from fan axis. The values given are valid under the specified measuring conditions and may vary due to conditions of installation. For deviations from the standard configuration, the parameters have to be checked on the installed unit.

Measured values

	U	f	n	P _{ed}	I	qv	p _{fs}
	V	Hz	min ⁻¹	W	A	m ³ /h	Pa
1	115	50	650	1.60	0.03	230	0
2	115	50	650	1.70	0.03	200	2
3	115	50	650	1.70	0.03	180	4
4	115	50	650	1.70	0.03	160	5

U = Power supply · f = Frequency · n = Speed · P_{ed} = Power consumption · I = Current draw · qv = Air flow · p_{fs} = Pressure increase

