



VDC-3-54.32B00 ebmpapst Datasheet  
sales@fansco.com  
www.fansco.com

### Nominal data

Type	VDC-3-54.32 B00	
Nominal voltage	VDC	24
Nominal voltage range	VDC	18 .. 28
Speed (rpm)	min <sup>-1</sup>	3300
Power output	W	83
Current draw	A	4.3
Rated torque	Ncm	24
Mean starting torque	Ncm	280
Min. ambient temperature	°C	0
Max. ambient temperature	°C	40

ml = Max. load · me = Max. efficiency · fa = Free air · cs = Customer specification · ce = Customer equipment  
Subject to change

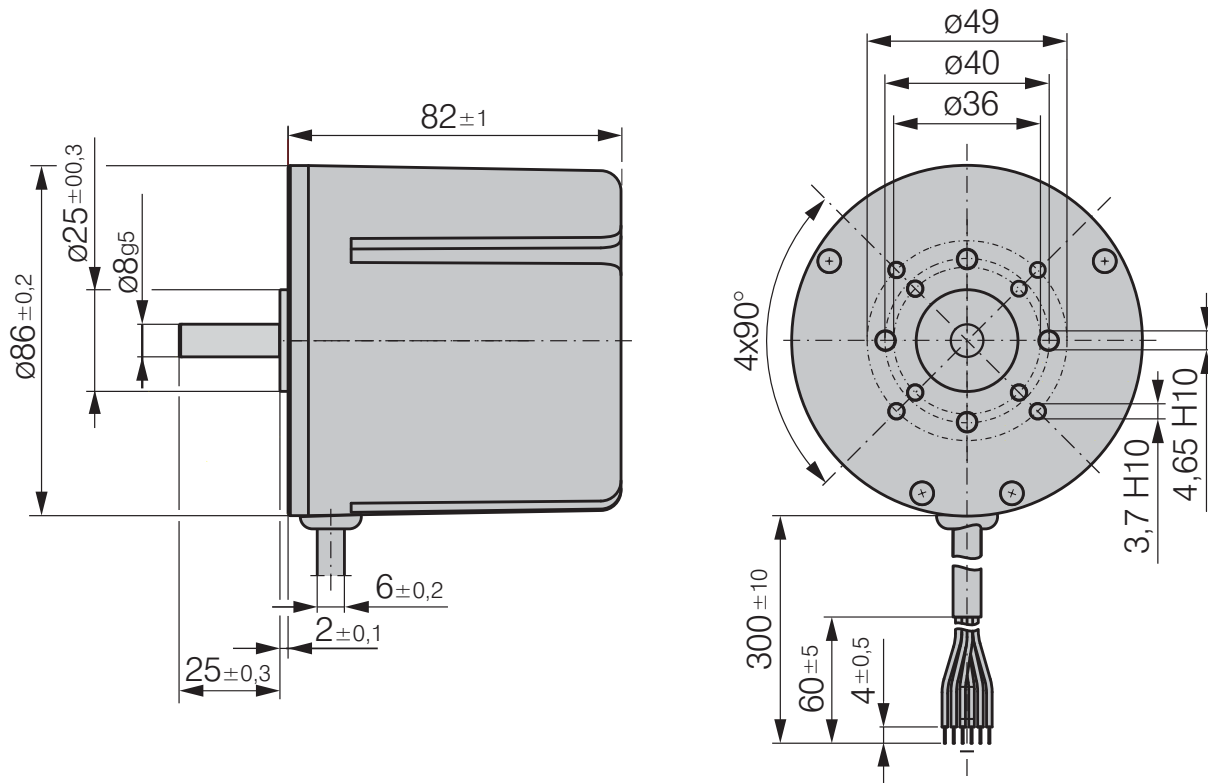


**Technical description**

<b>Length</b>	82 mm
<b>Weight</b>	1.1 kg
<b>Diameter</b>	86 mm
<b>Part no.</b>	937 5432 610
<b>Degree of protection</b>	IP40
<b>Service life L10 at 40 °C</b>	20000 h
<b>Locked-rotor protection</b>	Clocked
<b>Locked-rotor protection timing</b>	Ton 0.8 / Toff 2.5 s
<b>Overload protection</b>	Speed-dependent current limitation



## Product drawing



Curves

