

S6E450-AF08-29/F01 ebmpapst Datasheet

sales@fansco.com

www.fansco.com

Nominal data

Type	S6E450-AF08-29/F01	
Motor	M6E074-EI	
Phase		1~
Nominal voltage	VAC	230
Frequency	Hz	50
Type of data definition		fa
Valid for approval / standard		CE
Speed	min ⁻¹	890
Power input	W	140
Current draw	A	0.62
Motor capacitor	μF	4
Capacitor voltage	VDB	400
Max. back pressure	Pa	45
Min. ambient temperature	°C	-25
Max. ambient temperature	°C	40

ml = max. load · me = max. efficiency · fa = running at free air · cs = customer specs · cu = customer unit
Subject to alterations

Data according to ErP directive

Installation category	A
Efficiency category	Static
Variable speed drive integrated	No
Specific ratio*	1,00

* Specific ratio = $1 + p_{fs} / 100\,000\text{ Pa}$

	Actual	Request 2013	Request 2015
Overall efficiency η_{es}	24,5	24,5	28,5
Efficiency grade N	36	36	40
Power input P_e	kW	0,15	
Air flow q_v	m ³ /h	2695	
Pressure increase p_{fs}	Pa	48	
Speed n	min ⁻¹	860	

Data established at point of optimum efficiency



AC axial fan

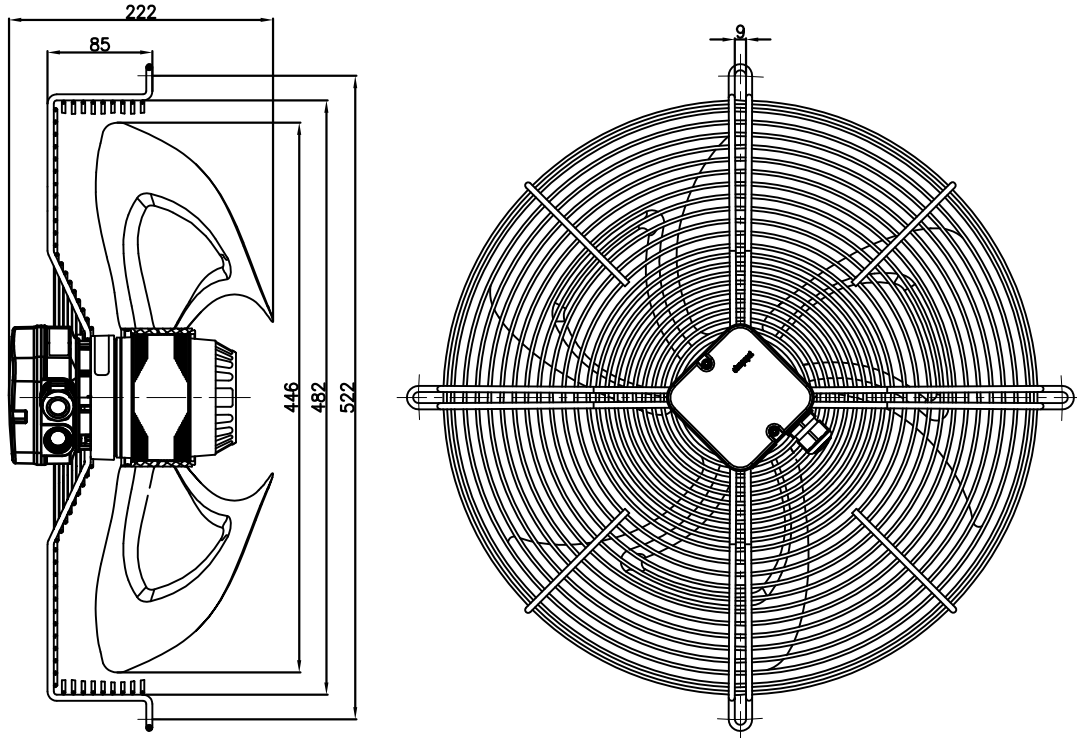
sickled blades (S series)

Technical features

Mass	3.7 kg
Size	450 mm
Surface of rotor	Coated in black
Material of impeller	PP plastic
Number of blades	3
Direction of air flow	"V"
Direction of rotation	Counter-clockwise, seen on rotor
Type of protection	IP 44; Depending on installation and position as per EN 60034-5
Insulation class	"F"
Humidity class	F1-2
Max. permissible ambient motor temp. (transp./ storage)	+ 80 °C
Min. permissible ambient motor temp. (transp./storage)	- 40 °C
Mounting position	Shaft horizontal or rotor on bottom; rotor on top on request
Condensate discharge holes	Rotor-side
Operation mode	S1
Motor bearing	Ball bearing
Leakage current	< 0.75 mA
Electrical leads	Prepared for terminal box installation/assembly
Motor protection	Thermal overload protector (TOP) wired internally
Cable exit	Variable
Protection class	I (if protective earth is connected by customer)
Product conforming to standard	EN 60335-1; CE
Approval	CCC



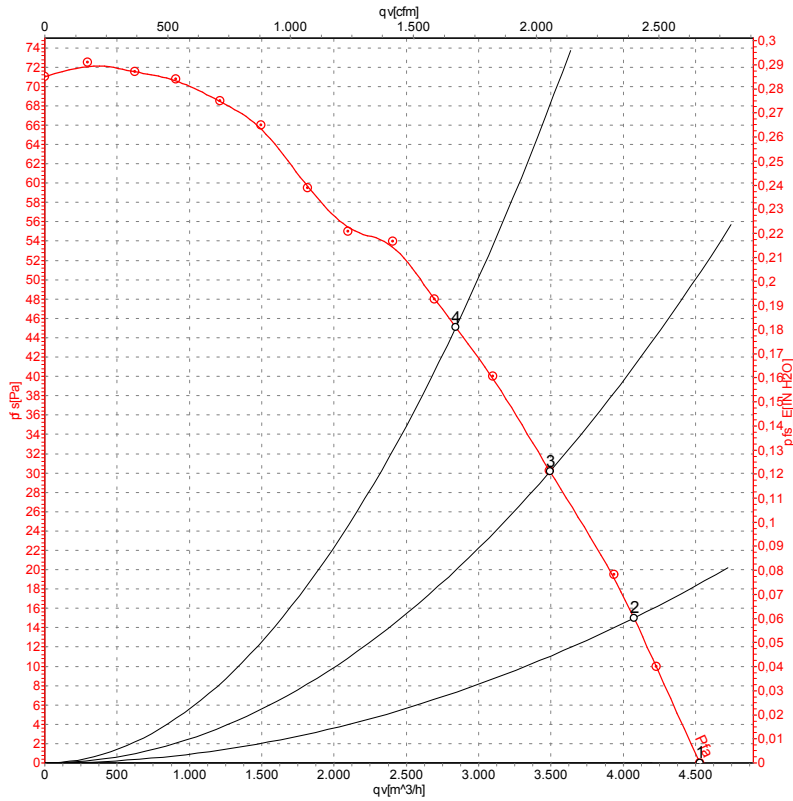
Product drawing



Direction of air flow "V"



Charts: Air flow 50 Hz



Measurement: LU-105020

Air performance measured as per ISO 5801 Installation category A. For detailed information on the measuring set-up, please contact ebm-papst. Suction-side noise levels: LwA measured as per ISO 13347 / LpA measured with 1m distance to fan axis. The values given are valid under the measuring conditions mentioned above and may vary according to the actual installation situation. With any deviation from the standard set-up, the specific values have to be checked and reviewed with the unit installed.

Measured values

	U	f	n	P _e	I	qv	P _{fs}
	V	Hz	min ⁻¹	W	A	m ³ /h	Pa
1	230	50	890	140	0.62	4530	0
2	230	50	895	141	0.62	4075	15
3	230	50	880	145	0.64	3495	30
4	230	50	865	151	0.66	2840	45

