

S6E400-AP10-30

# AC axial fan with guard grille for short nozzle sickled blades (S series)



S6E400-AP10-30 ebmpapst Datasheet  
sales@fansco.com  
www.fansco.com

## Nominal data

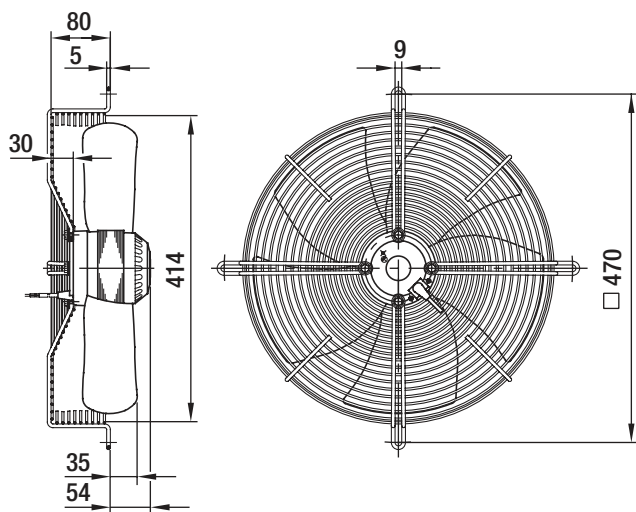
Type	S6E400-AP10-30		
Motor	M6E074-DF		
Phase		1~	1~
Nominal voltage	[V]	230	230
Frequency	[Hz]	50	60
Type of data definition		rfa	rfa
Valid for approval / standard		CE	CE
Speed	[min <sup>-1</sup> ]	940	1080
Power input	[W]	120	170
Current draw	[A]	0,55	0.75
Motor capacitor	[μF]	3	3
Capacitor voltage	[VDB]	450	400
Max. back pressure	[Pa]	50	40
Max. ambient temperature	[°C]	55	35
Air flow	[m <sup>3</sup> /h]	3290	3780
Back pressure	[Pa]	0	0
Sound pressure level	[dB(A)]	59	62

ml = max. load · me = max. efficiency · rfa = running at free air · cs = customer specs · cu = customer unit  
Subject to alterations

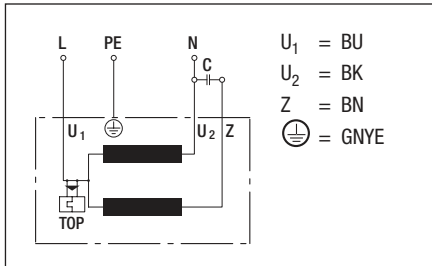
**Technical features**

<b>Size</b>	400 mm
<b>Operation mode</b>	Continuous operation (S1)
<b>Direction of rotation</b>	"V"
<b>Insulation class</b>	"F"
<b>Cable exit</b>	Variable
<b>Bearing motor</b>	Ball bearing
<b>Mass</b>	4.0 kg
<b>Material of electronics housing</b>	Rotor: Coated in black
<b>Material of impeller</b>	Sheet steel, coated in black
<b>Motor protection</b>	Thermal overload protector (TOP) wired internally
<b>Product conforming to standard</b>	CE
<b>Option</b>	With terminal box
<b>Number of blades</b>	5
<b>Type of protection</b>	IP 44 - depending on position
<b>Protection class</b>	I
<b>Approval</b>	CCC

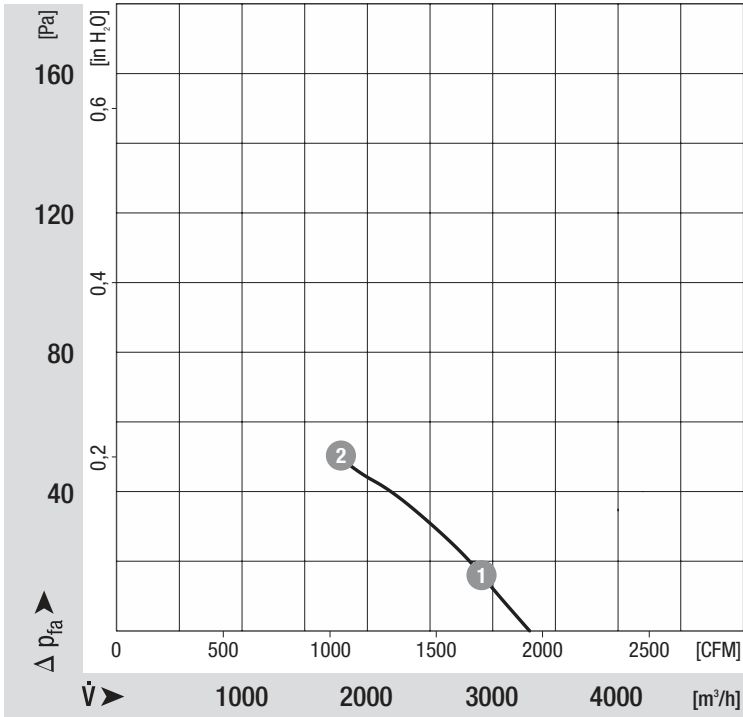
Product drawing



Connection screen



Charts: Air flow 50 Hz



Measured values

	n	P <sub>1</sub>	I
	[min <sup>-1</sup> ]	[W]	[A]
1	935	126	0.57
2	895	140	0.62

Charts: Air flow 60 Hz

