

# AC axial fan - HyBlade

sickle-shaped blades (S series), single-intake  
with guard grille for short nozzle

S6E400-AN24-30 ebmpapst Datasheet

sales@fansco.com

www.fansco.com

Limited partnership · Headquarters Muldingen

Amtsgericht (court of registration) Stuttgart · HRA 590344

General partner Elektrobau Muldingen GmbH · Headquarters Muldingen

Amtsgericht (court of registration) Stuttgart · HRB 590142

## Nominal data

| Type                        | S6E400-AN24-30     |         |         |
|-----------------------------|--------------------|---------|---------|
| Motor                       | M6E074-DF          |         |         |
| Phase                       |                    | 1~      | 1~      |
| Nominal voltage             | VAC                | 230     | 230     |
| Frequency                   | Hz                 | 50      | 60      |
| Method of obtaining data    |                    | ml      | ml      |
| Valid for approval/standard |                    | CE      | CE      |
| Speed (rpm)                 | min <sup>-1</sup>  | 870     | 870     |
| Power consumption           | W                  | 120     | 150     |
| Current draw                | A                  | 0.53    | 0.67    |
| Capacitor                   | µF                 | 3       | 3       |
| Capacitor voltage           | VDB                | 400     | 400     |
| Capacitor standard          |                    | S0 (CE) | S0 (CE) |
| Max. back pressure          | Pa                 | 40      | 40      |
| Max. back pressure          | inH <sub>2</sub> O | 0.16    | 0.16    |
| Min. ambient temperature    | °C                 | -25     | -25     |
| Max. ambient temperature    | °C                 | 60      | 45      |
| Starting current            | A                  | 0.7     | 0.69    |

ml = Max. load · me = Max. efficiency · fa = Free air · cs = Customer specification · ce = Customer equipment  
Subject to change



# AC axial fan - HyBlade

sickle-shaped blades (S series), single-intake  
with guard grille for short nozzle

## Technical description

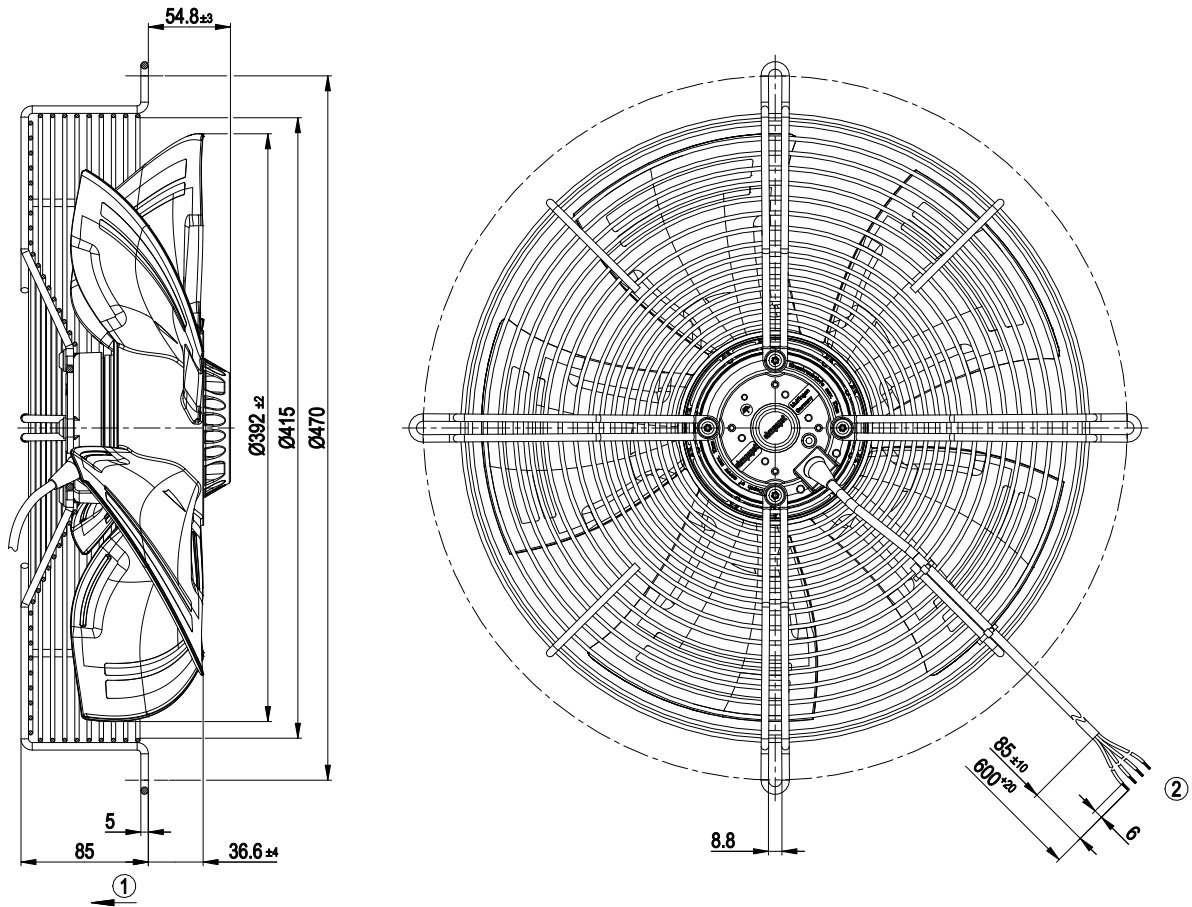
|  |  |
|--|--|
| Weight   | 5.1 kg   |
| Fan size   | 400 mm   |
| Rotor surface  | Painted black  |
| Blade material   | Press-fitted sheet steel blank, sprayed with PP plastic      |
| Guard grille material  | Steel, coated with black plastic (RAL 9005)                  |
| Number of blades   | 5  |
| Direction of rotation  | "V"  |
| Degree of protection   | IP44; installation- and position-dependent as per EN 60034-5 |
| Insulation class   | "F"  |
| Moisture (F) / Environmental (H) protection class                          | H0+  |
| Max. permitted ambient temp. for motor (transport/storage)                 | + 80 °C  |
| Min. permitted ambient temp. for motor (transport/storage)                 | - 40 °C  |
| Installation position  | Shaft horizontal or rotor on bottom; rotor on top on request |
| Condensation drainage holes  | On rotor side  |
| Mode   | S1   |
| Motor bearing  | Ball bearing   |
| Touch current according to IEC 60990 (measuring circuit Fig. 4, TN system) | < 0.75 mA  |
| Motor protection   | Thermal overload protector (TOP) internally connected        |
| With cable   | Variable   |
| Protection class   | I (with customer connection of protective earth)             |
| Conformity with standards  | EN 60335-1; CE   |
| Approval   | CCC; EAC   |



# AC axial fan - HyBlade

sickle-shaped blades (S series), single-intake  
with guard grille for short nozzle

## Product drawing



- |   |  |
|---|--|
| 1 | Direction of air flow "V"                                  |
| 2 | Cable silicone 4G 0.5 mm <sup>2</sup> ; 4x crimped splices |

## Connection diagram



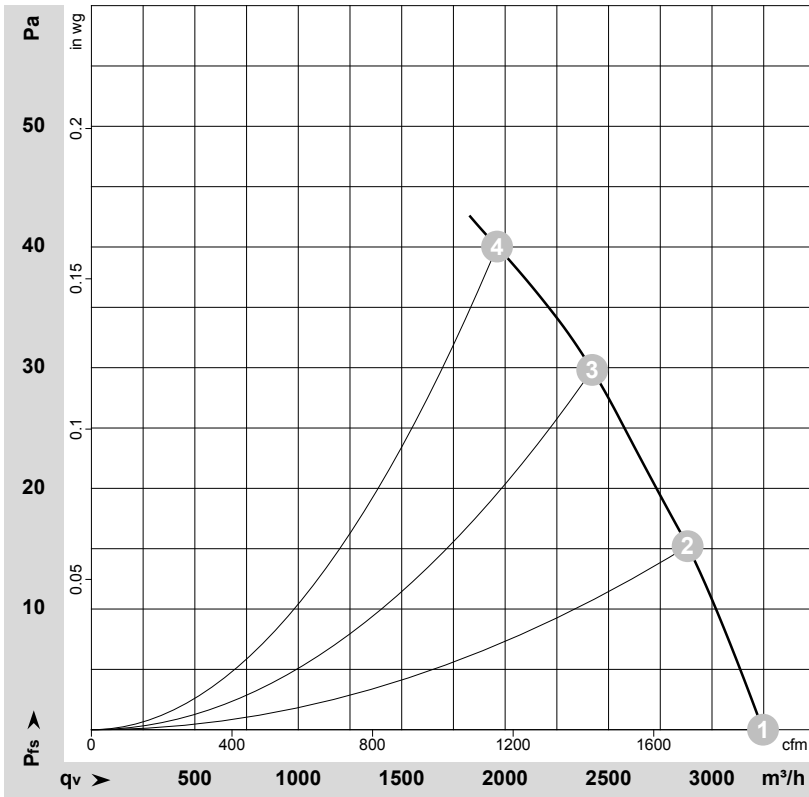
|    |              |   |       |    |       |
|----|--------------|---|-------|----|-------|
| U1 | blue         | Z | brown | U2 | black |
| PE | green/yellow |   |       |    |       |



# AC axial fan - HyBlade

sickle-shaped blades (S series), single-intake  
with guard grille for short nozzle

## Curves: Air performance 50 Hz



$\rho = 1.15 \text{ kg/m}^3 \pm 2 \%$

Measurement: LU-126091-1

Air performance measured according to ISO 5801 installation category A. For detailed information on the measurement setup, contact ebmpapst. Intake sound level: Sound power level according to ISO 13347 / sound pressure level measured at 1 m distance from fan axis. The values given are valid under the specified measuring conditions and may vary due to conditions of installation. For deviations from the standard configuration, the parameters have to be checked on the installed unit.

## Measured values

|   | U   | f  | n                 | P <sub>e</sub> | I    | LpA <sub>in</sub> | LwA <sub>in</sub> | q <sub>v</sub>    | p <sub>fs</sub> | q <sub>v</sub> | p <sub>fs</sub>    |
|---|-----|----|-------------------|----------------|------|-------------------|-------------------|-------------------|-----------------|----------------|--------------------|
|   | V   | Hz | min <sup>-1</sup> | W              | A    | dB(A)             | dB(A)             | m <sup>3</sup> /h | Pa              | cfm            | inH <sub>2</sub> O |
| 1 | 230 | 50 | 910               | 107            | 0.47 | 57                | 63                | 3245              | 0               | 1910           | 0.00               |
| 2 | 230 | 50 | 900               | 111            | 0.49 | 54                | 61                | 2880              | 15              | 1695           | 0.06               |
| 3 | 230 | 50 | 890               | 114            | 0.50 | 50                | 57                | 2420              | 30              | 1425           | 0.12               |
| 4 | 230 | 50 | 870               | 120            | 0.53 | 52                | 60                | 1960              | 40              | 1155           | 0.16               |

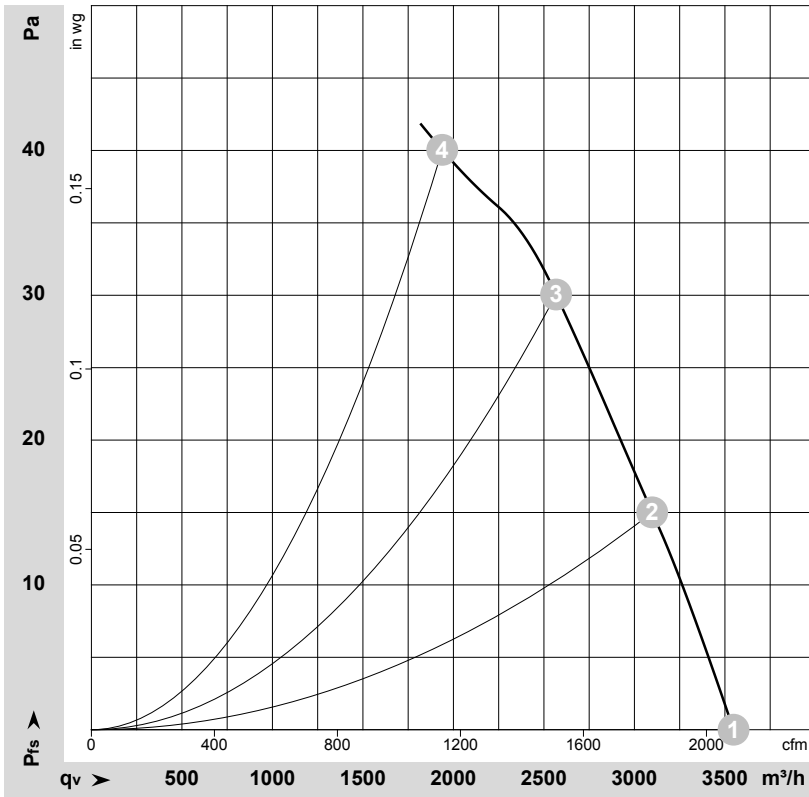
U = Power supply · f = Frequency · n = Speed (rpm) · P<sub>e</sub> = Power consumption · I = Current draw · LpA<sub>in</sub> = Sound pressure level intake side · LwA<sub>in</sub> = Sound power level intake side  
q<sub>v</sub> = Air flow · p<sub>fs</sub> = Pressure increase



# AC axial fan - HyBlade

sickle-shaped blades (S series), single-intake  
with guard grille for short nozzle

## Curves: Air performance 60 Hz



$\rho = 1.15 \text{ kg/m}^3 \pm 2 \%$

Measurement: LU-126092-1

Air performance measured according to ISO 5801 installation category A. For detailed information on the measurement setup, contact ebmpapst. Intake sound level: Sound power level according to ISO 13347 / sound pressure level measured at 1 m distance from fan axis. The values given are valid under the specified measuring conditions and may vary due to conditions of installation. For deviations from the standard configuration, the parameters have to be checked on the installed unit.

## Measured values

|   | U   | f  | n                 | P <sub>e</sub> | I    | LpA <sub>in</sub> | LwA <sub>in</sub> | q <sub>v</sub>    | p <sub>fs</sub> | q <sub>v</sub> | p <sub>fs</sub>    |
|---|-----|----|-------------------|----------------|------|-------------------|-------------------|-------------------|-----------------|----------------|--------------------|
|   | V   | Hz | min <sup>-1</sup> | W              | A    | dB(A)             | dB(A)             | m <sup>3</sup> /h | Pa              | cfm            | inH <sub>2</sub> O |
| 1 | 230 | 60 | 995               | 146            | 0.63 | 59                | 65                | 3550              | 0               | 2090           | 0.00               |
| 2 | 230 | 60 | 955               | 148            | 0.64 | 56                | 62                | 3100              | 15              | 1825           | 0.06               |
| 3 | 230 | 60 | 920               | 150            | 0.65 | 52                | 59                | 2565              | 30              | 1510           | 0.12               |
| 4 | 230 | 60 | 870               | 150            | 0.67 | 53                | 60                | 1940              | 40              | 1140           | 0.16               |

U = Power supply · f = Frequency · n = Speed (rpm) · P<sub>e</sub> = Power consumption · I = Current draw · LpA<sub>in</sub> = Sound pressure level intake side · LwA<sub>in</sub> = Sound power level intake side  
q<sub>v</sub> = Air flow · p<sub>fs</sub> = Pressure increase

