

S6E360-AE08-01

AC axial fan with guard grille for short nozzle blades with special design (K series)



S6E360-AE08-01 ebmpapst Datasheet FansCo

sales@fansco.com

www.fansco.com

Nominal data

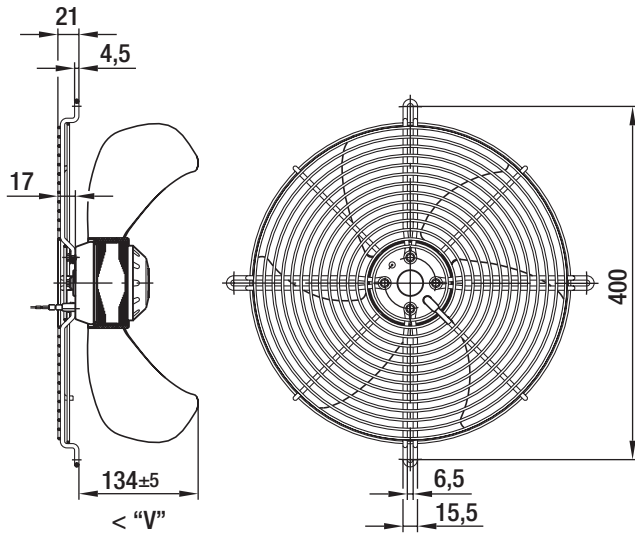
Type	S6E360-AE08-01		
Motor	M6E068-DF		
Phase		1~	1~
Nominal voltage	[V]	230	230
Frequency	[Hz]	50	60
Type of data definition		rfa	rfa
Valid for approval / standard		CE	CE
Speed	[min ⁻¹]	850	960
Power input	[W]	65	85
Current draw	[A]	0.29	0.38
Motor capacitor	[μF]	2.5	2.5
Capacitor voltage	[VDB]	400	400
Max. back pressure	[Pa]	40	40
Max. ambient temperature	[°C]	50	40
Air flow	[m ³ /h]	2030	2290
Back pressure	[Pa]	0	0
Sound pressure level	[dB(A)]	46	51

ml = max. load · me = max. efficiency · rfa = running at free air · cs = customer specs · cu = customer unit
Subject to alterations

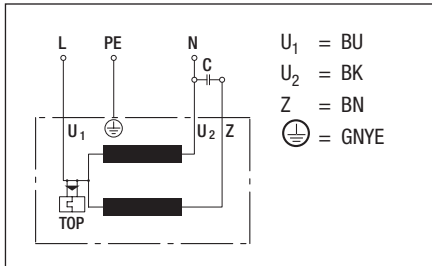
Technical features

Size	360 mm
Operation mode	Continuous operation (S1)
Direction of air flow	"V"
Insulation class	"B"
Cable exit	Axial
Bearing-motor	Ball bearing
Mass	2.0 kg
Material of impeller	Plastic, black
Motor protection	Thermal overload protector (TOP) wired internally
Product conforming to standard	CE
Number of blades	3
Type of protection	IP 44
Protection class	I
Approval	GOST

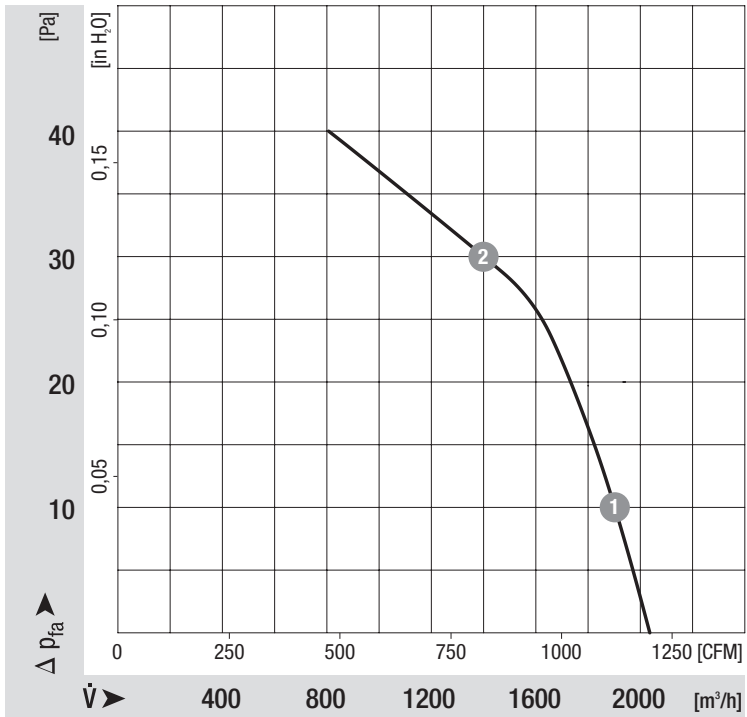
Product drawing



Connection screen



Charts: Air flow 50 Hz



	n	P ₁	I
	[min ⁻¹]	[W]	[A]
1	850	65	0.29
2	820	67	0.30

Charts: Air flow 60 Hz

