

S6E350-AR08-30

# AC axial fan with guard grille for short nozzle sickled blades (S series)



S6E350-AR08-30 ebmpapst Datasheet  
sales@fansco.com  
www.fansco.com

## Nominal data

Type	S6E350-AR08-30		
Motor	M6E068-DF		
Phase		1~	1~
Nominal voltage	[V]	230	230
Frequency	[Hz]	50	60
Type of data definition		rfa	rfa
Valid for approval / standard		CE	CE
Speed	[min <sup>-1</sup> ]	905	1040
Power input	[W]	60	85
Current draw	[A]	0,27	0.38
Motor capacitor	[μF]	2,5	2.5
Capacitor voltage	[VDB]	400	400
Capacitor standard		P0 (CE)	P0 (CE)
Max. back pressure	[Pa]	40	45
Max. ambient temperature	[°C]	40	35
Air flow	[m <sup>3</sup> /h]	2110	2420
Back pressure	[Pa]	0	0
Sound pressure level	[dB(A)]	55	58

ml = max. load · me = max. efficiency · rfa = running at free air · cs = customer specs · cu = customer unit  
Subject to alterations

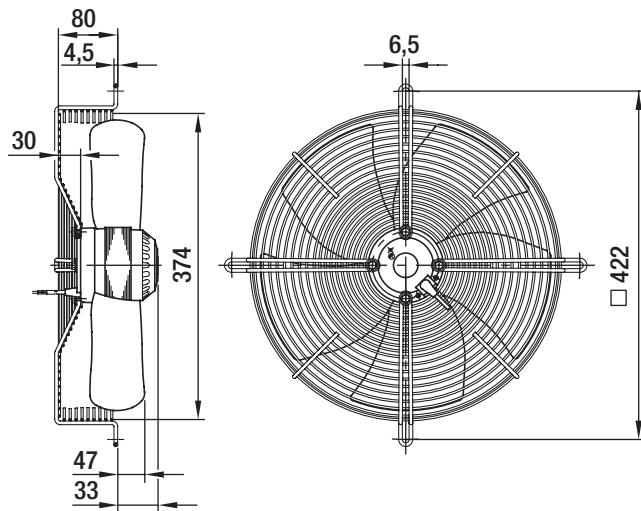
**Technical features**

<b>Size</b>	350 mm
<b>Operation mode</b>	Continuous operation (S1)
<b>Direction of rotation</b>	Counter-clockwise, seen on rotor
<b>Direction of air flow</b>	"V"
<b>Insulation class</b>	"B"
<b>Cable exit</b>	Axial
<b>Bearing motor</b>	Ball bearing
<b>Mass</b>	3.6 kg
<b>Material of electronics housing</b>	Rotor: Coated in black
<b>Material of impeller</b>	Sheet steel, coated in black
<b>Motor protection</b>	Thermal overload protector (TOP) wired internally
<b>Product conforming to standard</b>	CE
<b>Number of blades</b>	5
<b>Type of protection</b>	IP 44 - depending on position
<b>Protection class</b>	I
<b>Approval</b>	CCC

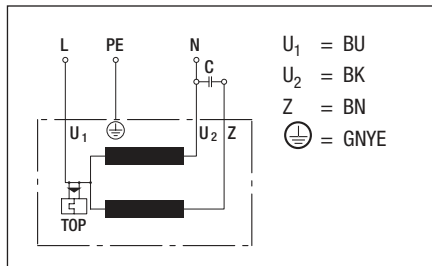
S6E350-AR08-30

# AC axial fan with guard grille for short nozzle sickled blades (S series)

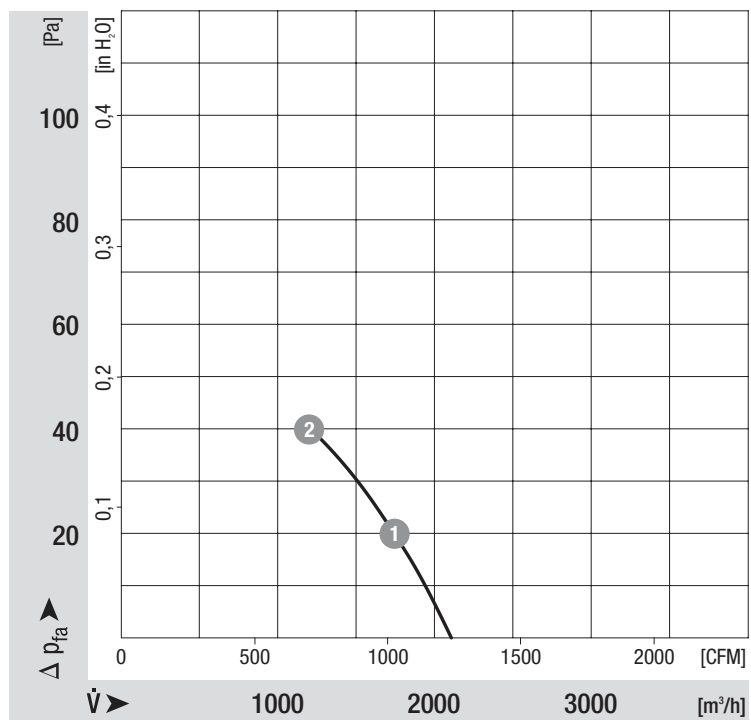
## Product drawing



Connection screen



## Charts: Air flow 50 Hz



## Measured values

	n	P <sub>1</sub>	I
	[min <sup>-1</sup> ]	[W]	[A]
1	880	63	0.28
2	825	68	0.30

Charts: Air flow 60 Hz

