

S6E330-AP02-34 ebmpapst Datasheet FansCo

sales@fansco.com

www.fansco.com

Nominal data

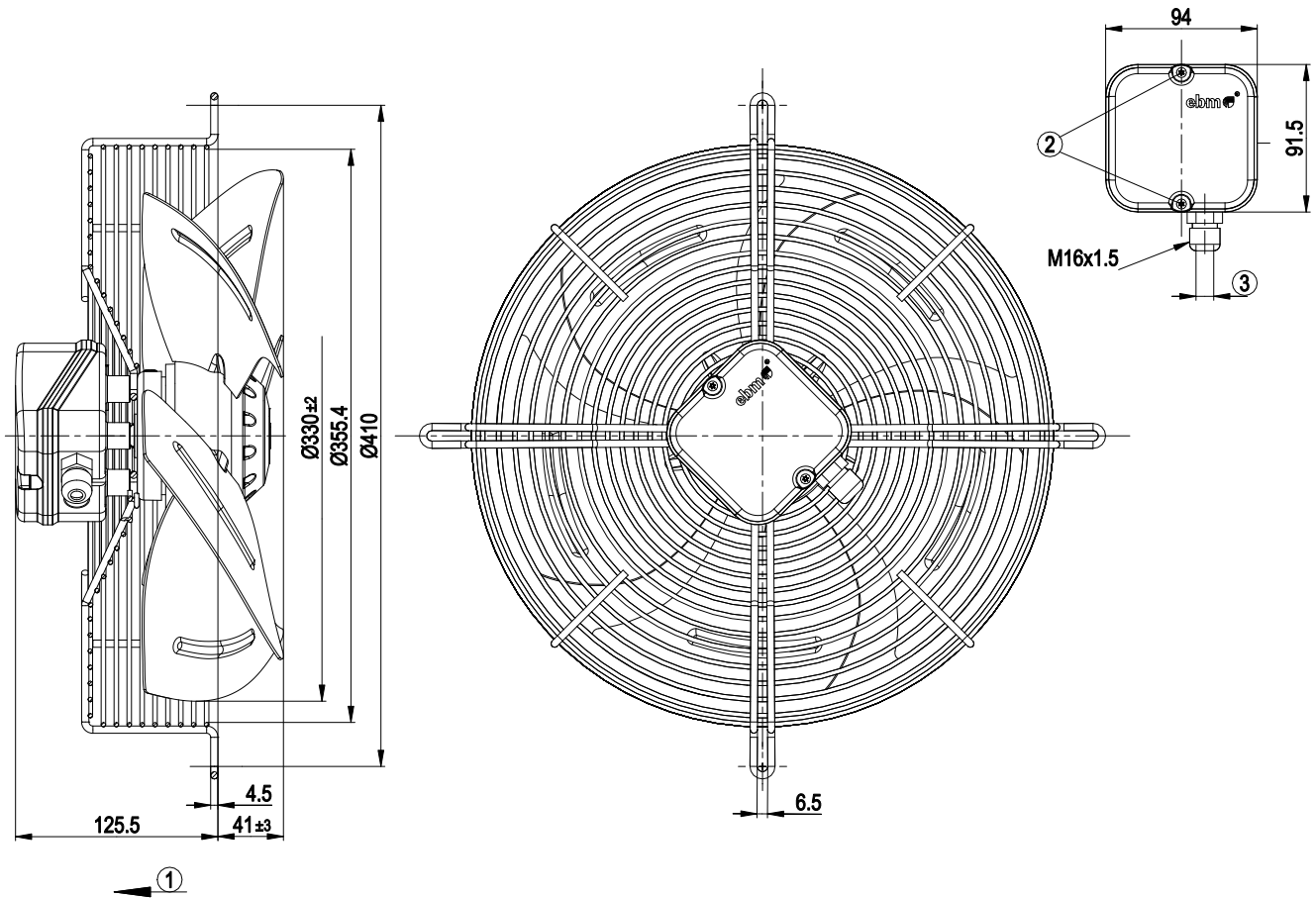
Type	S6E330-AP02-34		
Motor	M6E068-DF		
Phase		1~	1~
Nominal voltage	VAC	230	230
Frequency	Hz	50	60
Method of obtaining data		fa	fa
Valid for approval/standard		CE	CE
Speed (rpm)	min ⁻¹	940	1100
Power consumption	W	65	72
Current draw	A	0.33	0.32
Capacitor	µF	2	2
Capacitor voltage	VDB	400	450
Capacitor standard		S0 (CE)	S0 (CE)
Max. back pressure	Pa	60	70
Max. back pressure	in. wg	0.24	0.28
Min. ambient temperature	°C	-25	-25
Max. ambient temperature	°C	70	85
Starting current	A	0.55	0.5

ml = Max. load · me = Max. efficiency · fa = Free air · cs = Customer specification · ce = Customer equipment
 Subject to change

Technical description

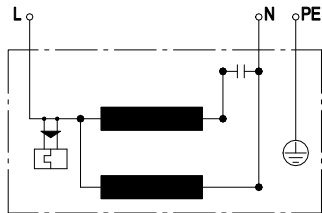
Weight	4.1 kg
Size	330 mm
Motor size	68
Rotor surface	Painted black
Terminal box material	ABS plastic
Blade material	Sheet steel, painted black
Guard grille material	Steel, coated with black plastic (RAL 9005)
Number of blades	5
Airflow direction	V
Direction of rotation	Counterclockwise, viewed toward rotor
Degree of protection	IP44; installation- and position-dependent as per EN 60034-5
Insulation class	"F"
Moisture (F) / Environmental (H) protection class	H1
Max. permitted ambient temp. for motor (transport/storage)	+80 °C
Min. permitted ambient temp. for motor (transport/storage)	-40 °C
Installation position	Any
Condensation drainage holes	On rotor side
Mode	S1
Motor mounting	Ball bearing
Touch current according to IEC 60990 (measuring circuit Fig. 4, TN system)	< 0.75 mA
Electrical hookup	Terminal box; Via terminal box, capacitor integrated and connected
Motor protection	Thermal overload protector (TOP) internally connected
With cable	Axial
Protection class	I (with customer connection of protective earth)
Motor capacitor according to EN 60252-1 in safety protection class	S0
Conformity with standards	EN 60335-1; CE

Product drawing



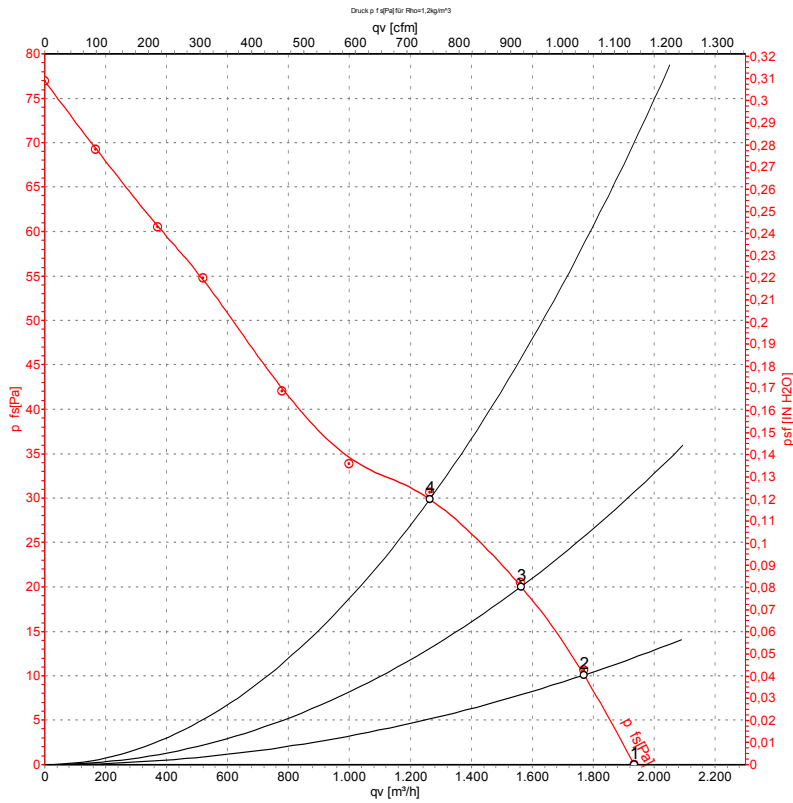
1	Direction of air flow "V"
2	Tightening torque 0.5 ± 0.1 Nm
3	Cable diameter: max. 7.5 mm; tightening torque 1.3±0.15 Nm

Connection diagram



L	brown	N	blue	PE	green/yellow
---	-------	---	------	----	--------------

Curves: Air performance 50 Hz



Measurement: LU-32941-1

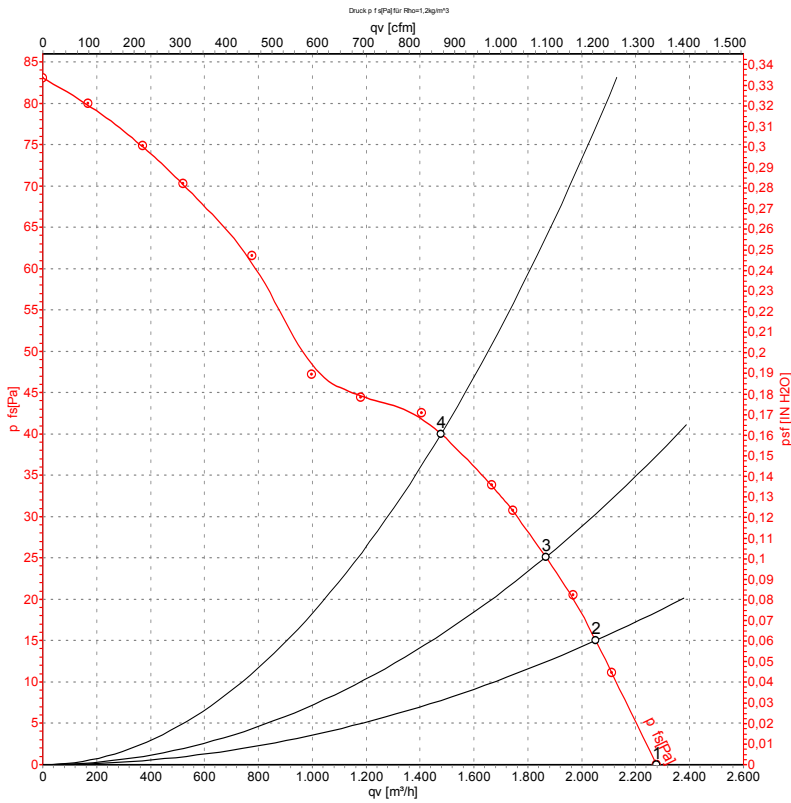
Air performance measured according to ISO 5801 installation category A. For detailed information on the measurement setup, contact ebm-papst. Intake sound level: Sound power level according to ISO 13347 / sound pressure level measured at 1 m distance from fan axis. The values given are valid under the specified measuring conditions and may vary due to conditions of installation. For deviations from the standard configuration, the parameters have to be checked on the installed unit.

Measured values

	U	f	n	P _e	I	q _v	P _{fs}	q _v	P _{fs}
	V	Hz	min ⁻¹	W	A	m ³ /h	Pa	cfm	in. wg
1	230	50	940	65	0.33	1935	0	1140	0.00
2	230	50	930	68	0.34	1770	10	1040	0.04
3	230	50	920	68	0.34	1565	20	920	0.08
4	230	50	910	70	0.34	1265	30	745	0.12

U = Power supply · f = Frequency · n = Speed (rpm) · P_e = Power consumption · I = Current draw · q_v = Air flow · P_{fs} = Pressure increase

Curves: Air performance 60 Hz



Measurement: LU-32942-1

Air performance measured according to ISO 5801 installation category A. For detailed information on the measurement setup, contact ebm-papst. Intake sound level: Sound power level according to ISO 13347 / sound pressure level measured at 1 m distance from fan axis. The values given are valid under the specified measuring conditions and may vary due to conditions of installation. For deviations from the standard configuration, the parameters have to be checked on the installed unit.

Measured values

	U	f	n	P _e	I	q _v	p _{fs}	q _v	p _{fs}
	V	Hz	min ⁻¹	W	A	m ³ /h	Pa	cfm	in. wg
1	230	60	1100	72	0.32	2280	0	1340	0.00
2	230	60	1095	75	0.33	2050	15	1210	0.06
3	230	60	1085	77	0.34	1865	25	1100	0.10
4	230	60	1065	80	0.35	1480	40	870	0.16

U = Power supply · f = Frequency · n = Speed (rpm) · P_e = Power consumption · I = Current draw · q_v = Air flow · p_{fs} = Pressure increase