

# AC axial fan

straight blades (A series)

with guard grille for short nozzle

S4S300-AA02-19 ebmpapst Datasheet

[sales@fansco.com](mailto:sales@fansco.com)

[www.fansco.com](http://www.fansco.com)

Limited partnership · Headquarters Mulfingen

Amtsgericht (court of registration) Stuttgart · HRA 590344

General partner Elektrobau Mulfingen GmbH · Headquarters Mulfingen

Amtsgericht (court of registration) Stuttgart · HRB 590142

## Nominal data

<b>Type</b>	<b>S4S300-AA02-19</b>		
<b>Motor</b>	<b>M4S068-DF</b>		
Phase		1~	1~
Nominal voltage	VAC	230	230
Frequency	Hz	50	60
Method of obtaining data		fa	fa
Valid for approval/standard		CE	CE
Speed (rpm)	min <sup>-1</sup>	1380	1550
Power consumption	W	94	94
Current draw	A	0.67	0.67
Max. back pressure	Pa	75	60
Max. back pressure	inH <sub>2</sub> O	0.3	0.24
Min. ambient temperature	°C	-25	-25
Max. ambient temperature	°C	50	60
Starting current	A	1.2	1.2

ml = Max. load · me = Max. efficiency · fa = Free air · cs = Customer specification · ce = Customer equipment  
Subject to change



# AC axial fan

straight blades (A series)  
with guard grille for short nozzle

## Technical description

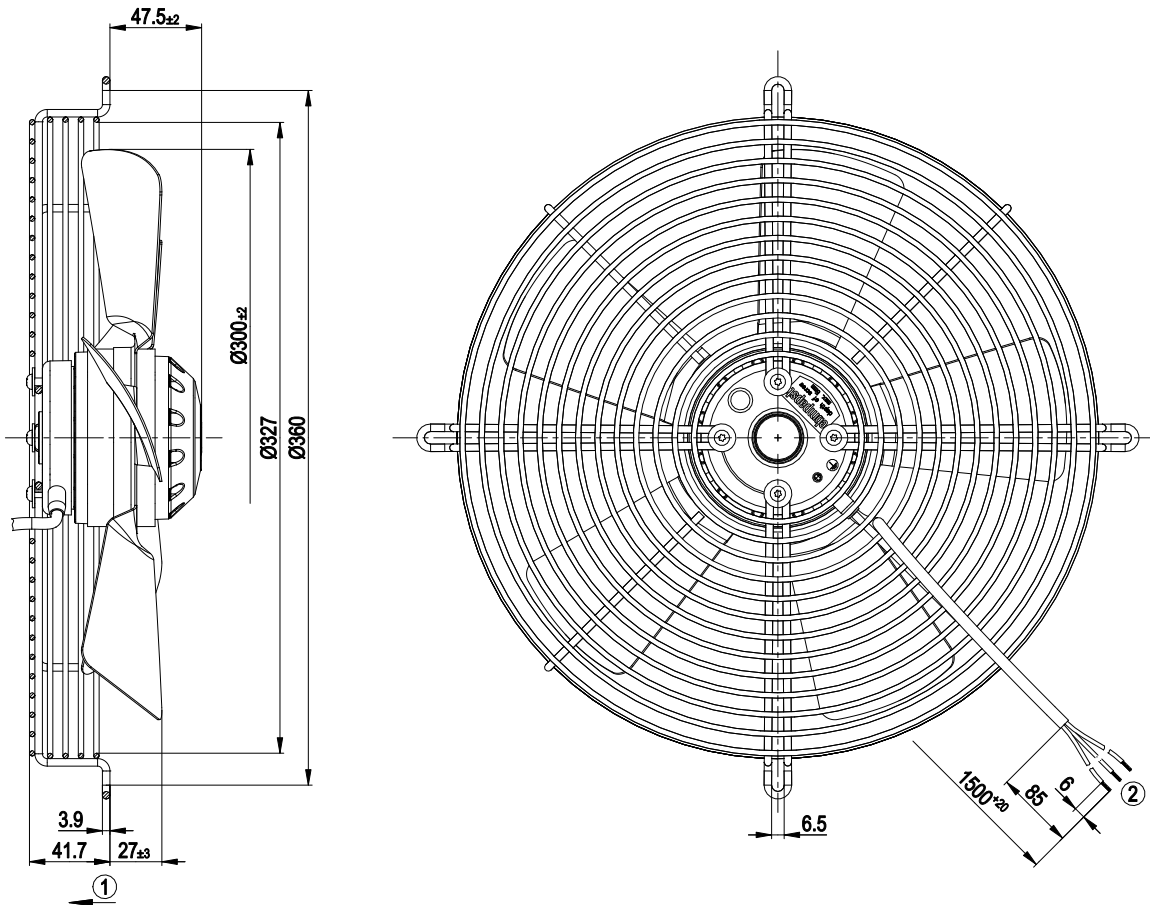
<b>Weight</b>	2.7 kg
<b>Fan size</b>	300 mm
<b>Rotor surface</b>	Painted black
<b>Blade material</b>	Sheet steel, painted black
<b>Guard grille material</b>	Steel, coated with black plastic (RAL 9005)
<b>Number of blades</b>	5
<b>Airflow direction</b>	"V"
<b>Direction of rotation</b>	Counterclockwise, viewed toward rotor
<b>Degree of protection</b>	IP44; installation- and position-dependent as per EN 60034-5
<b>Insulation class</b>	"F"
<b>Moisture (F) / Environmental (H) protection class</b>	H0+
<b>Max. permitted ambient temp. for motor (transport/storage)</b>	+ 80 °C
<b>Min. permitted ambient temp. for motor (transport/storage)</b>	- 40 °C
<b>Installation position</b>	Shaft horizontal or rotor on bottom; rotor on top on request
<b>Condensation drainage holes</b>	On rotor side
<b>Mode</b>	S1
<b>Motor bearing</b>	Ball bearing
<b>Touch current according to IEC 60990 (measuring circuit Fig. 4, TN system)</b>	< 0.75 mA
<b>Motor protection</b>	Thermal overload protector (TOP) internally connected
<b>With cable</b>	Lateral
<b>Protection class</b>	I (with customer connection of protective earth)
<b>Conformity with standards</b>	EN 60335-1; CE



# AC axial fan

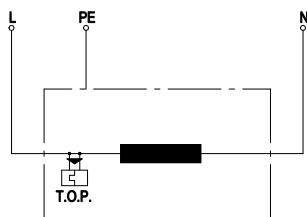
straight blades (A series)  
with guard grille for short nozzle

## Product drawing



1	Direction of air flow "V"
2	Cable silicone 3G 0.5 mm <sup>2</sup> , 3x crimped splices

## Connection diagram



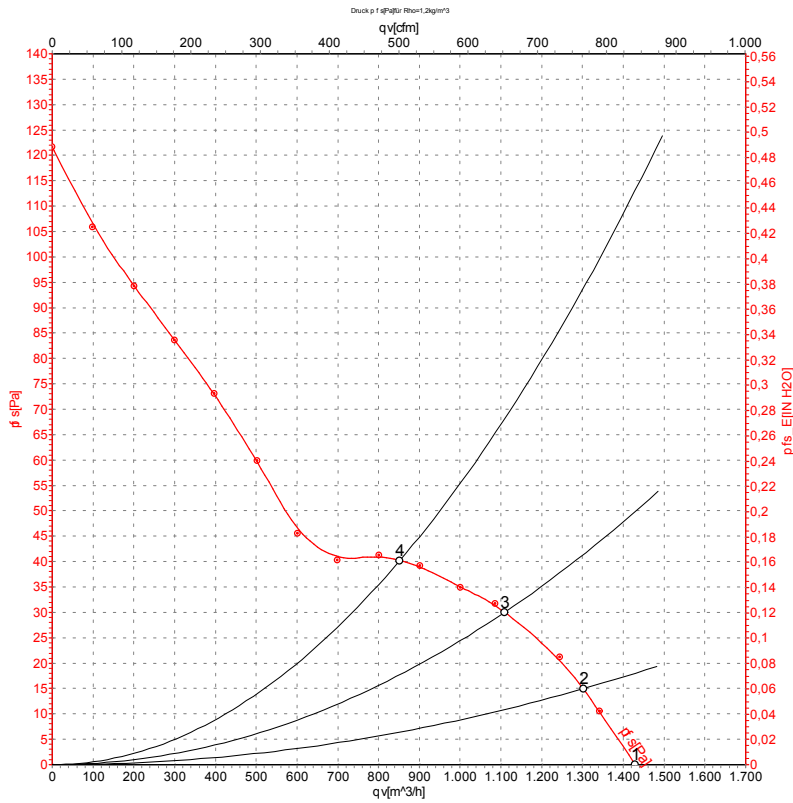
L	= blue
PE	= green/yellow
N	= brown
TOP	= thermal overload protector



# AC axial fan

straight blades (A series)  
with guard grille for short nozzle

## Curves: Air performance 50 Hz



Measurement: LU-64904-1

Air performance measured according to ISO 5801 installation category A. For detailed information on the measurement setup, contact ebmpapst. Intake sound level: Sound power level according to ISO 13347 / sound pressure level measured at 1 m distance from fan axis. The values given are valid under the specified measuring conditions and may vary due to conditions of installation. For deviations from the standard configuration, the parameters have to be checked on the installed unit.

## Measured values

	U	f	n	P <sub>e</sub>	I	qv	p <sub>fs</sub>	qv	p <sub>fs</sub>
	V	Hz	min <sup>-1</sup>	W	A	m <sup>3</sup> /h	Pa	CFM	inH2O
1	230	50	1380	86	0.67	1430	0	840	0.00
2	230	50	1365	88	0.65	1300	15	765	0.06
3	230	50	1355	88	0.64	1110	30	655	0.12
4	230	50	1355	88	0.64	850	40	500	0.16

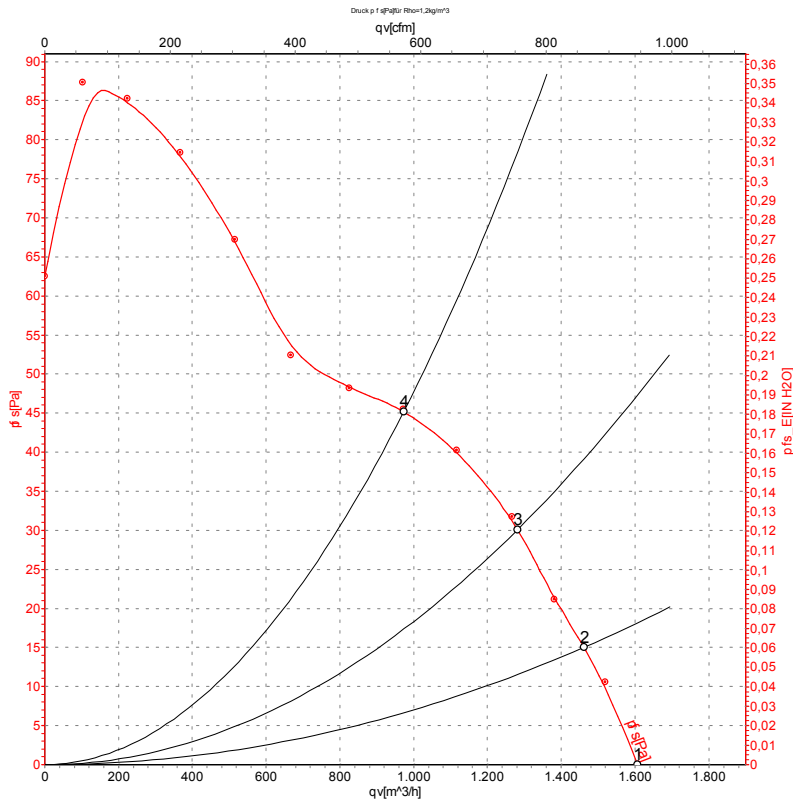
U = Power supply · f = Frequency · n = Speed (rpm) · P<sub>e</sub> = Power consumption · I = Current draw · qv = Air flow · p<sub>fs</sub> = Pressure increase



# AC axial fan

straight blades (A series)  
with guard grille for short nozzle

## Curves: Air performance 60 Hz



Measurement: LU-64905-1

Air performance measured according to ISO 5801 installation category A. For detailed information on the measurement setup, contact ebm-papst. Intake sound level: Sound power level according to ISO 13347 / sound pressure level measured at 1 m distance from fan axis. The values given are valid under the specified measuring conditions and may vary due to conditions of installation. For deviations from the standard configuration, the parameters have to be checked on the installed unit.

## Measured values

	U	f	n	P <sub>e</sub>	I	qv	p <sub>fs</sub>	qv	p <sub>fs</sub>
	V	Hz	min <sup>-1</sup>	W	A	m <sup>3</sup> /h	Pa	CFM	inH <sub>2</sub> O
1	230	60	1550	84	0.59	1605	0	945	0.00
2	230	60	1505	88	0.61	1460	15	860	0.06
3	230	60	1475	91	0.63	1280	30	755	0.12
4	230	60	1465	92	0.63	975	45	575	0.18

U = Power supply · f = Frequency · n = Speed (rpm) · P<sub>e</sub> = Power consumption · I = Current draw · qv = Air flow · p<sub>fs</sub> = Pressure increase

