

# AC axial fan

sickled blades (S series)  
with guard grille for short nozzle

S4E350-AP06-43 ebmpapst Datasheet  
sales@fansco.com  
www.fansco.com

## Nominal data

Type	S4E350-AP06-43		
Motor	M4E074-DF		
Phase		1~	1~
Nominal voltage	[V]	230	230
Frequency	[Hz]	50	60
Type of data definition		rfa	rfa
Valid for approval / standard		CE	CE
Speed	[min <sup>-1</sup> ]	1400	1590
Power input	[W]	130	190
Current draw	[A]	0,58	0.83
Motor capacitor	[μF]	4	4
Capacitor voltage	[VDB]	400	400
Max. back pressure	[Pa]	90	60
Max. ambient temperature	[°C]	35	35
Air flow	[m <sup>3</sup> /h]	3110	3540
Back pressure	[Pa]	0	0
Sound pressure level	[dB(A)]	64	67

ml = max. load · me = max. efficiency · rfa = running at free air · cs = customer specs · cu = customer unit  
Subject to alterations

# AC axial fan

sickled blades (S series)  
with guard grille for short nozzle

## Technical features

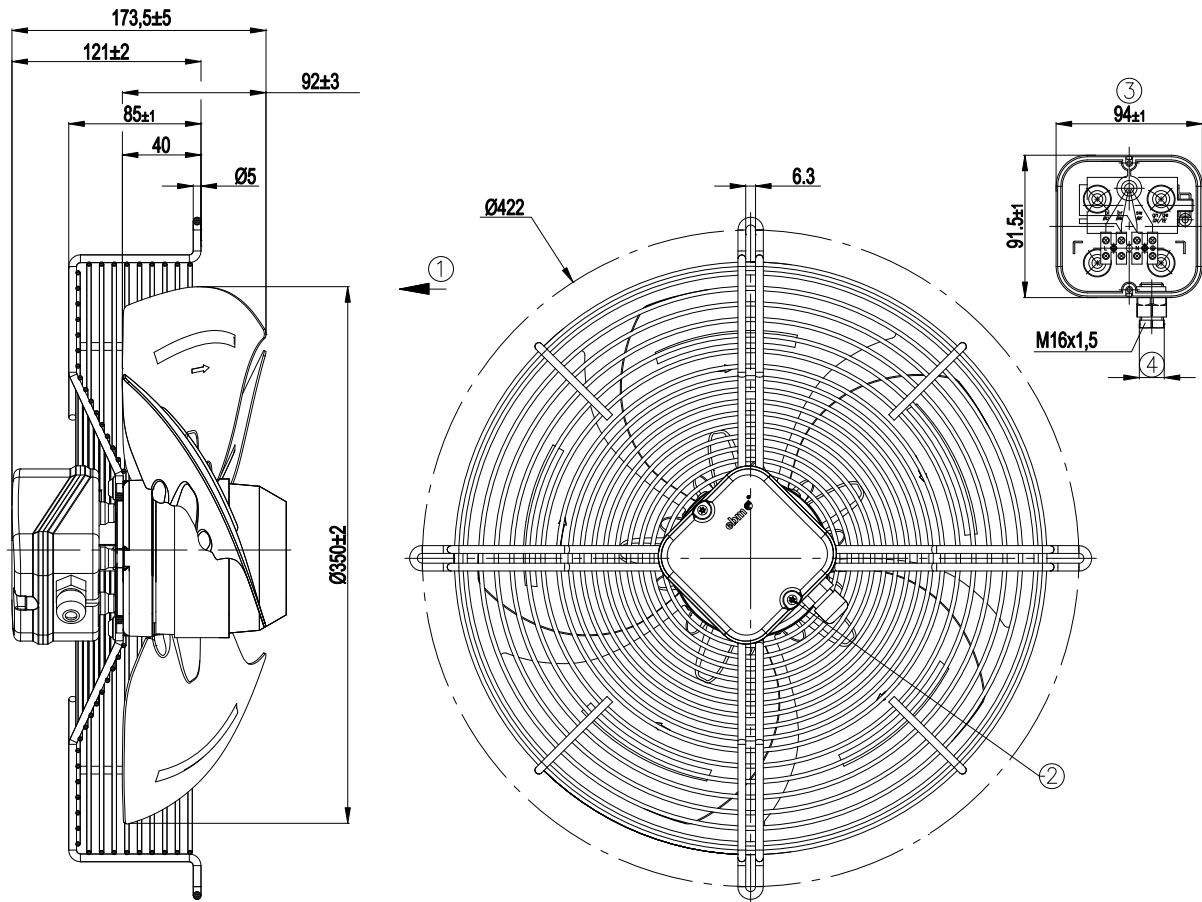
Leakage current	< 0,75 mA
Size	350 mm
Operation mode	S1
Direction of rotation	Counter-clockwise, seen on rotor
Mounting position	Shaft horizontal or rotor on top; rotor on bottom on request
Electrical leads	Via terminal box, integrated capacitor connected via terminal box
Direction of air flow	"V"
Insulation class	"B"
Cable exit	Variable
Condensate discharge holes	None
Bearing motor	Ball bearing with anti-freezing grease
Mass	5.2 kg
Material of terminal box	ABS plastic, black
Material of blades	Sheet steel, coated in black
Material of guard grille	Steel, phosphated and coated in black plastic
Motor protection	Thermal overload protector (TOP) wired internally
Product conforming to standard	CE; EN 60335-1
Surface of rotor	Coated in black
Number of blades	5
Type of protection	IP 44 - depending on position
Protection class	I
Max. permissible ambient motor temp. (transp./ storage)	+ 70 °C
Min. permissible ambient motor temp. (transp./storage)	-40 °C
Approval	CCC; GOST

# AC axial fan

sickled blades (S series)

with guard grille for short nozzle

## Product drawing

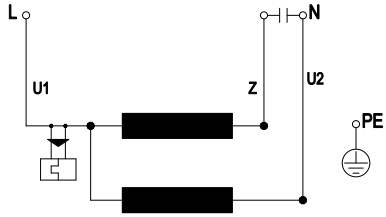


1	Direction of air flow "V"
2	Tightening torque 0.8 Nm
3	Shown without terminal box cover
4	Cable diameter max 7.5 mm; tightening torque 2 Nm

# AC axial fan

sickled blades (S series)  
with guard grille for short nozzle

## Connection screen

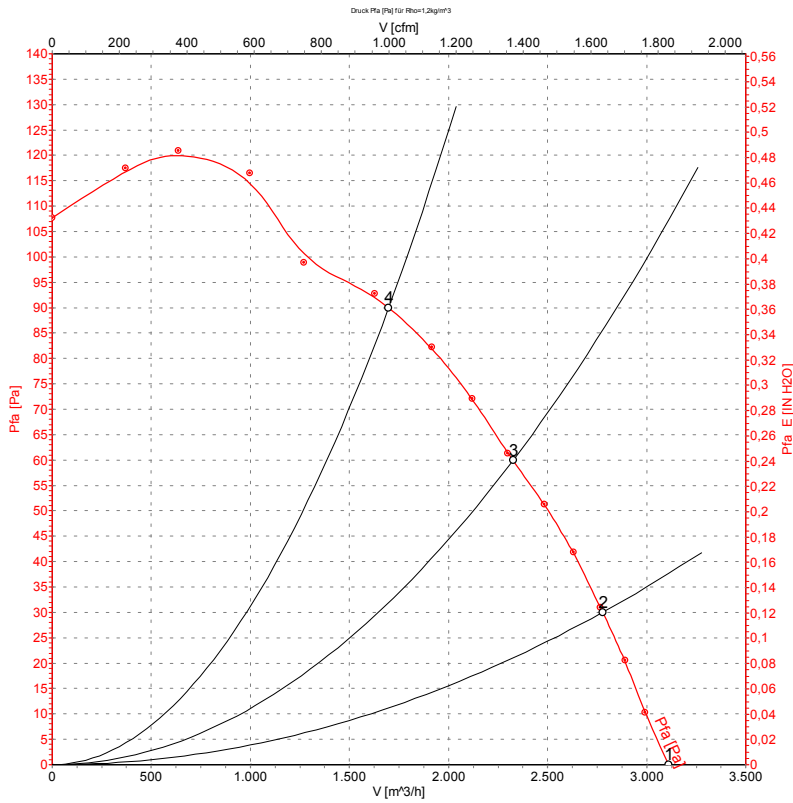


U1	blue	Z	brown	U2	black
PE	green/yellow				

# AC axial fan

sickled blades (S series)  
with guard grille for short nozzle

## Charts: Air flow 50 Hz



Measurement: LU-28525

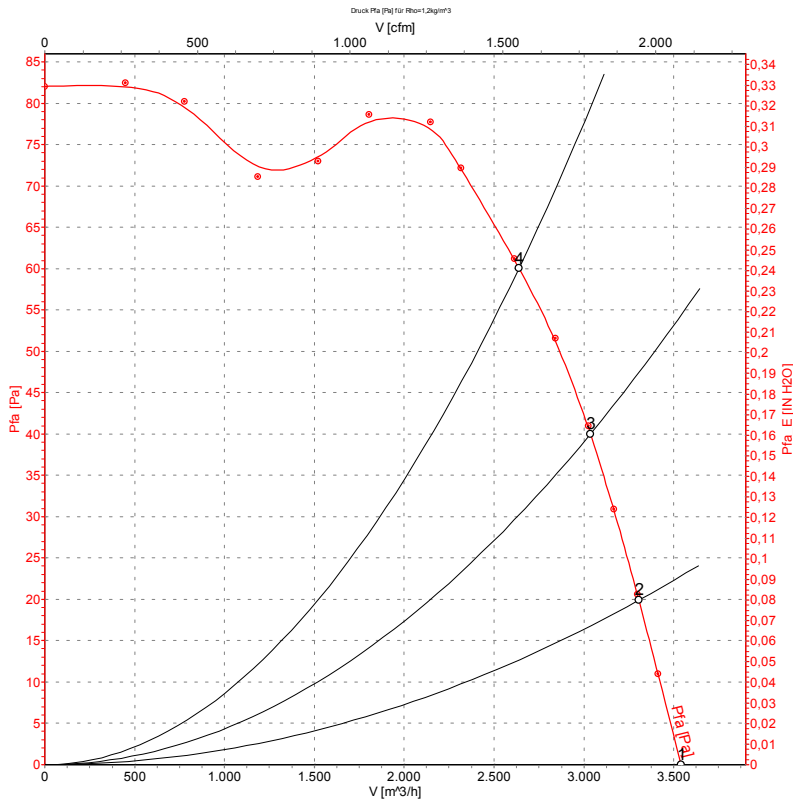
## Measured values

	U	f	n	P <sub>1</sub>	I	$\dot{V}$	p <sub>fa</sub>
	[V]	[Hz]	[min <sup>-1</sup> ]	[W]	[A]	[m³/h]	[Pa]
1	230	50	1400	130	0.58	3110	0
2	230	50	1380	140	0.61	2780	30
3	230	50	1355	151	0.66	2325	60
4	230	50	1290	174	0.76	1700	90

# AC axial fan

sickled blades (S series)  
with guard grille for short nozzle

## Charts: Air flow 60 Hz



### Measured values

	U	f	n	P <sub>1</sub>	I	$\hat{V}$	p <sub>fa</sub>
	[V]	[Hz]	[min <sup>-1</sup> ]	[W]	[A]	[m <sup>3</sup> /h]	[Pa]
1	230	60	1590	190	0.83	3540	0
2	230	60	1565	196	0.85	3305	20
3	230	60	1520	203	0.88	3035	40
4	230	60	1455	208	0.90	2640	60