

S4E315-BP18-31

AC axial fan with guard grille for full nozzle sickled blades (S series)



S4E315-BP18-31 ebmpapst Datasheet
sales@fansco.com
www.fansco.com

Nominal data

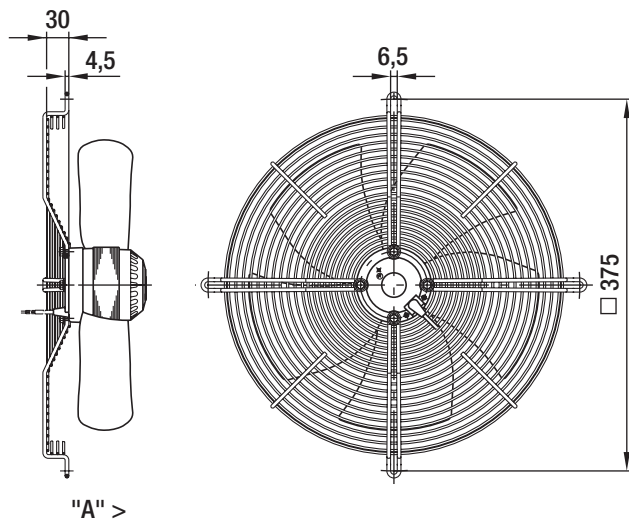
Type	S4E315-BP18-31		
Motor	M4E068-DF		
Phase		1~	1~
Nominal voltage	[V]	230	230
Frequency	[Hz]	50	60
Type of data definition		rfa	rfa
Valid for approval / standard		CE	CE
Speed	[min ⁻¹]	1410	1650
Power input	[W]	102	120
Current draw	[A]	0,52	0.53
Motor capacitor	[μF]	4	4
Capacitor voltage	[VDB]	400	400
Max. back pressure	[Pa]	120	120
Max. ambient temperature	[°C]	55	55
Air flow	[m ³ /h]	2440	2840
Back pressure	[Pa]	0	0
Sound pressure level	[dB(A)]	59	64

ml = max. load · me = max. efficiency · rfa = running at free air · cs = customer specs · cu = customer unit
Subject to alterations

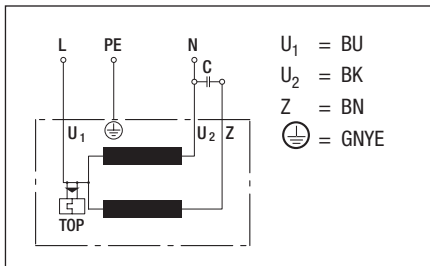
Technical features

Size	315 mm
Operation mode	Continuous operation (S1)
Direction of rotation	Clockwise, seen on rotor
Direction of air flow	"A"
Insulation class	"B"
Cable exit	Axial
Bearing motor	Ball bearing
Mass	2.4 kg
Material of electronics housing	Rotor: Coated in black
Material of impeller	Sheet steel, coated in black
Motor protection	Thermal overload protector (TOP) wired internally
Product conforming to standard	CE
Number of blades	5
Type of protection	IP 44 - depending on position
Protection class	I
Approval	CCC

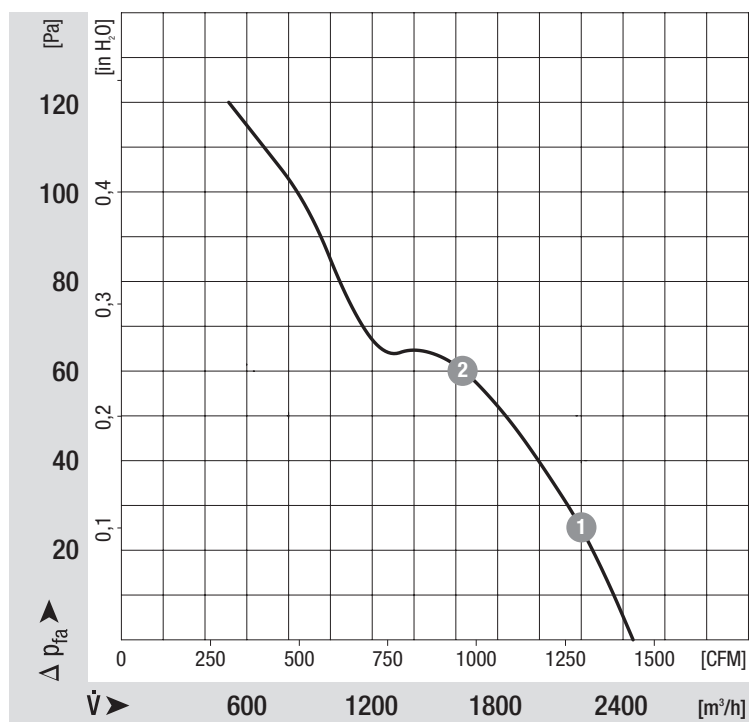
Product drawing



Connection screen



Charts: Air flow 50 Hz



Measured values

	n	P ₁	I
	[min ⁻¹]	[W]	[A]
1	1400	108	0.54
2	1380	120	0.57

Charts: Air flow 60 Hz

