

AC axial fan

sickle-shaped blades (S series)

with support ring

S4E300-DR26-03 ebmpapst Datasheet

sales@fansco.com

www.fansco.com

Limited partnership · Headquarters Muldingen

Amtsgericht (court of registration) Stuttgart · HRA 590344

General partner Elektrobau Muldingen GmbH · Headquarters Muldingen

Amtsgericht (court of registration) Stuttgart · HRB 590142

Nominal data

Type	S4E300-DR26-03		
Motor	M4E068-CF		
Phase		1~	1~
Nominal voltage	VAC	230	230
Frequency	Hz	50	60
Method of obtaining data		fa	fa
Valid for approval/standard		CE	CE
Speed	min ⁻¹	1380	1570
Power consumption	W	70	95
Current draw	A	0.32	0.42
Capacitor	µF	2	2
Capacitor voltage	VDB	400	400
Capacitor standard		P0 (CE)	P0 (CE)
Max. back pressure	Pa	60	70
Min. ambient temperature	°C	-40	-40
Max. ambient temperature	°C	55	45
Starting current	A	0.64	0.64

ml = Max. load · me = Max. efficiency · fa = Free air · cs = Customer specification · ce = Customer equipment
Subject to change



AC axial fan

sickle-shaped blades (S series)

with support ring

Technical description

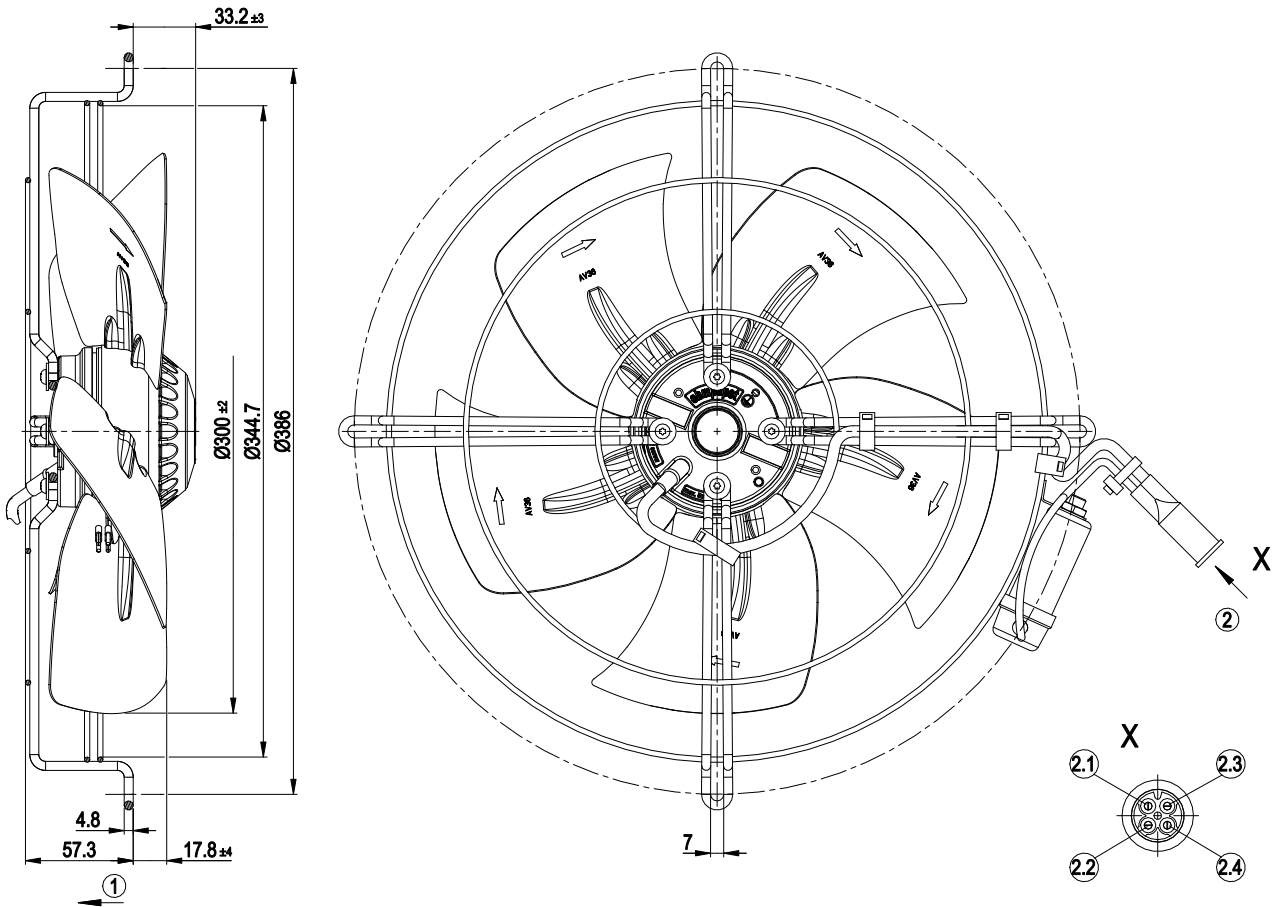
Weight	2.5 kg
Fan size	300 mm
Rotor surface	Painted black
Blade material	Sheet steel, painted black
Support ring material	Steel, coated with black plastic (RAL 9005)
Number of blades	5
Airflow direction	"V"
Direction of rotation	Counterclockwise, viewed toward rotor
Degree of protection	IP44; installation- and position-dependent as per EN 60034-5
Insulation class	"B"
Moisture (F) / Environmental (H) protection class	F5
Max. permitted ambient temp. for motor (transport/storage)	+ 70 °C
Min. permitted ambient temp. for motor (transport/storage)	- 40 °C
Installation position	Shaft horizontal or rotor on bottom; rotor on top on request
Condensation drainage holes	On rotor side
Mode	S1
Motor storage	Ball bearing with low-temperature lubricant
Touch current according to IEC 60990 (measuring circuit Fig. 4, TN system)	< 0.75 mA
Motor protection	Thermal overload protector (TOP) internally connected
With cable	Variable
Protection class	I (with customer connection of protective earth)
Conformity with standards	CE
Approval	EAC



AC axial fan

sickle-shaped blades (S series)
with support ring

Product drawing



1	Direction of air flow "V"
2	Cable PVC 4G 0.5 mm ² , 4-pole connector housing tyco 0-925075-0 with insulating sleeve, 2x plug pin tyco 163555-6, 2x plug pin tyco 163303-8
2.1	Z (brown) + capacitor
2.2	PE (green/yellow)
2.3	N (black + capacitor)
2.4	L (blue)

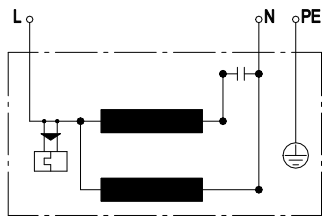


S4E300-DR26-03

AC axial fan

sickle-shaped blades (S series)
with support ring

Connection diagram



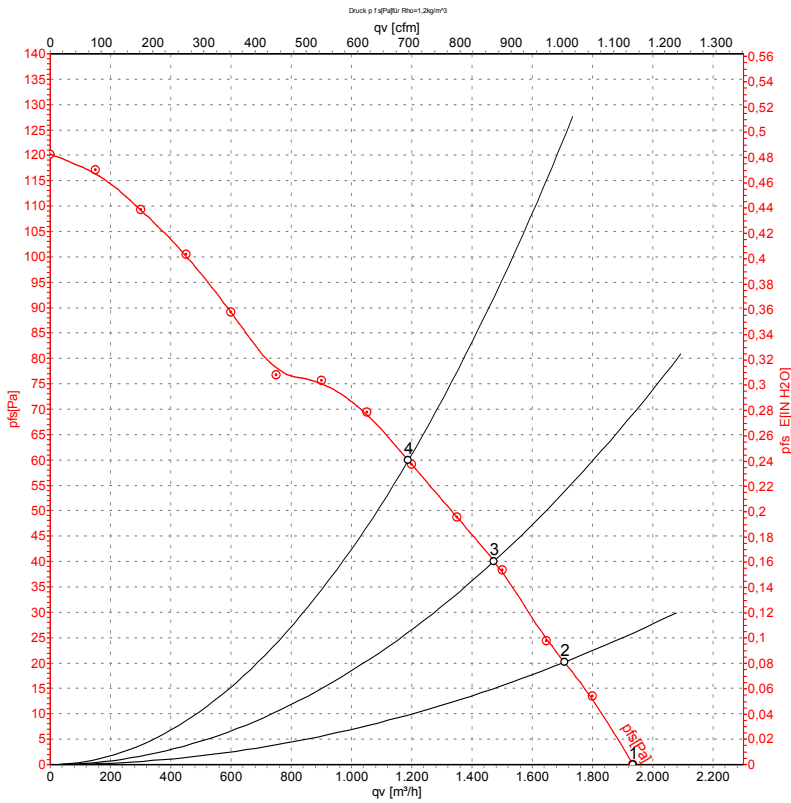
L	blue	N	black	PE	green/yellow
---	------	---	-------	----	--------------



AC axial fan

sickle-shaped blades (S series)
with support ring

Curves: Air performance 50 Hz



Measurement: LU-74683

Air performance measured according to ISO 5801 installation category A. For detailed information on the measurement setup, contact ebm-papst. Intake sound level: Sound power level according to ISO 13347 / sound pressure level measured at 1 m distance from fan axis. The values given are valid under the specified measuring conditions and may vary due to conditions of installation. For deviations from the standard configuration, the parameters have to be checked on the installed unit.

Measured values

	U	f	n	P _e	I	LpA _{in}	qv	p _{fs}
	V	Hz	min ⁻¹	W	A	dB(A)	m ³ /h	Pa
1	230	50	1380	70	0.32	57	1935	0
2	230	50	1370	72	0.32	57	1705	20
3	230	50	1355	76	0.33	55	1470	40
4	230	50	1335	79	0.35	52	1190	60

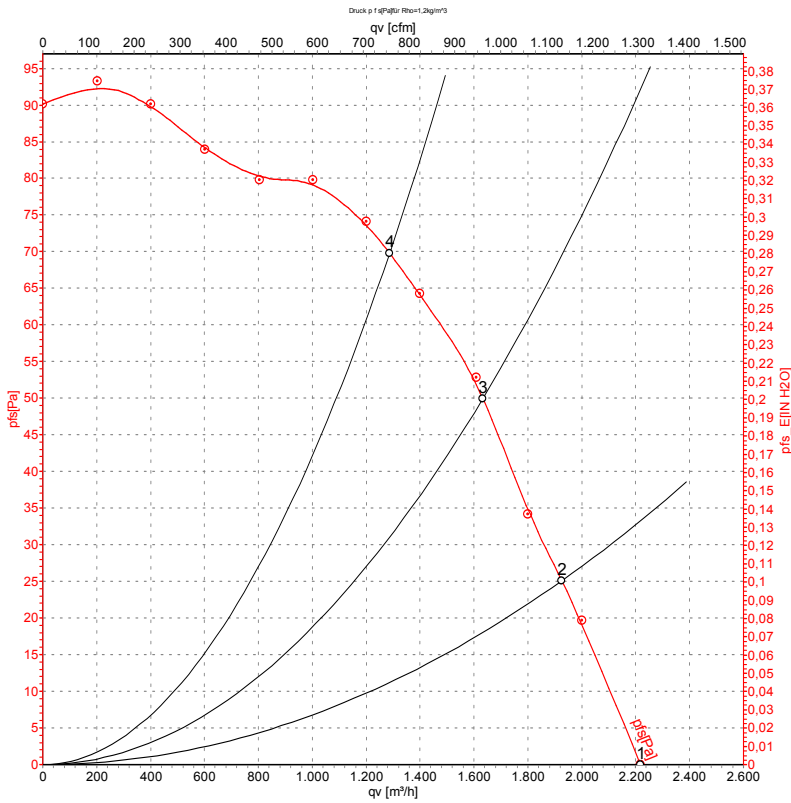
U = Power supply · f = Frequency · n = Speed · P_e = Power consumption · I = Current draw · LpA_{in} = Sound pressure level intake side · qv = Air flow · p_{fs} = Pressure increase



AC axial fan

sickle-shaped blades (S series)
with support ring

Curves: Air performance 60 Hz



Measurement: LU-74684

Air performance measured according to ISO 5801 installation category A. For detailed information on the measurement setup, contact ebmpapst. Intake sound level: Sound power level according to ISO 13347 / sound pressure level measured at 1 m distance from fan axis. The values given are valid under the specified measuring conditions and may vary due to conditions of installation. For deviations from the standard configuration, the parameters have to be checked on the installed unit.

Measured values

	U	f	n	P _e	I	LpA _{in}	qv	p _{fs}
	V	Hz	min ⁻¹	W	A	dB(A)	m ³ /h	Pa
1	230	60	1570	95	0.42	61	2215	0
2	230	60	1545	99	0.43	60	1925	25
3	230	60	1500	103	0.45	58	1635	50
4	230	60	1440	108	0.47	55	1285	70

U = Power supply · f = Frequency · n = Speed · P_e = Power consumption · I = Current draw · LpA_{in} = Sound pressure level intake side · qv = Air flow · p_{fs} = Pressure increase

