

S4D500-AJ01-24/F01 ebmpapst Datasheet

sales@fansco.com

www.fansco.com

Limited partnership · Headquarters Mulfingen
County court Stuttgart · HRA 590344General partner: Elektrobau Mulfingen GmbH · Headquarters Mulfingen
County court Stuttgart · HRB 590142

Nominal data

Type	S4D500-AJ01-24/F01				
Motor	M4D110-EF				
Phase		3~	3~	3~	3~
Nominal voltage	VAC	400	400	400	400
Connection		Δ	Y	Δ	Y
Frequency	Hz	50	50	60	60
Type of data definition		cu	cu	cu	cu
Valid for approval / standard		CE	CE	CE	CE
Speed	min ⁻¹	1250	920	1300	870
Power input	W	640	390	850	410
Current draw	A	1.14	0.66	1.45	0.85
Max. back pressure	Pa	115	60	100	44
Min. ambient temperature	°C	-40	-40	-40	-40
Max. ambient temperature	°C	65	65	30	30

ml = max. load · me = max. efficiency · fa = running at free air · cs = customer specs · cu = customer unit
Subject to alterations

Data according to ErP directive

Installation category	A	Overall efficiency η_{es}	Actual	Request 2013	Request 2015
Efficiency category	Static	Efficiency grade N	30	28,3	32,3
Variable speed drive integrated	No	Power input P_e	37,7	36	40
Specific ratio*	1,00	Power input P_e	kW	0,61	
		Air flow q_v	m ³ /h	5695	
		Pressure increase p_{fs}	Pa	117	
		Speed n	min ⁻¹	1260	

Data established at point of optimum efficiency



Technical features

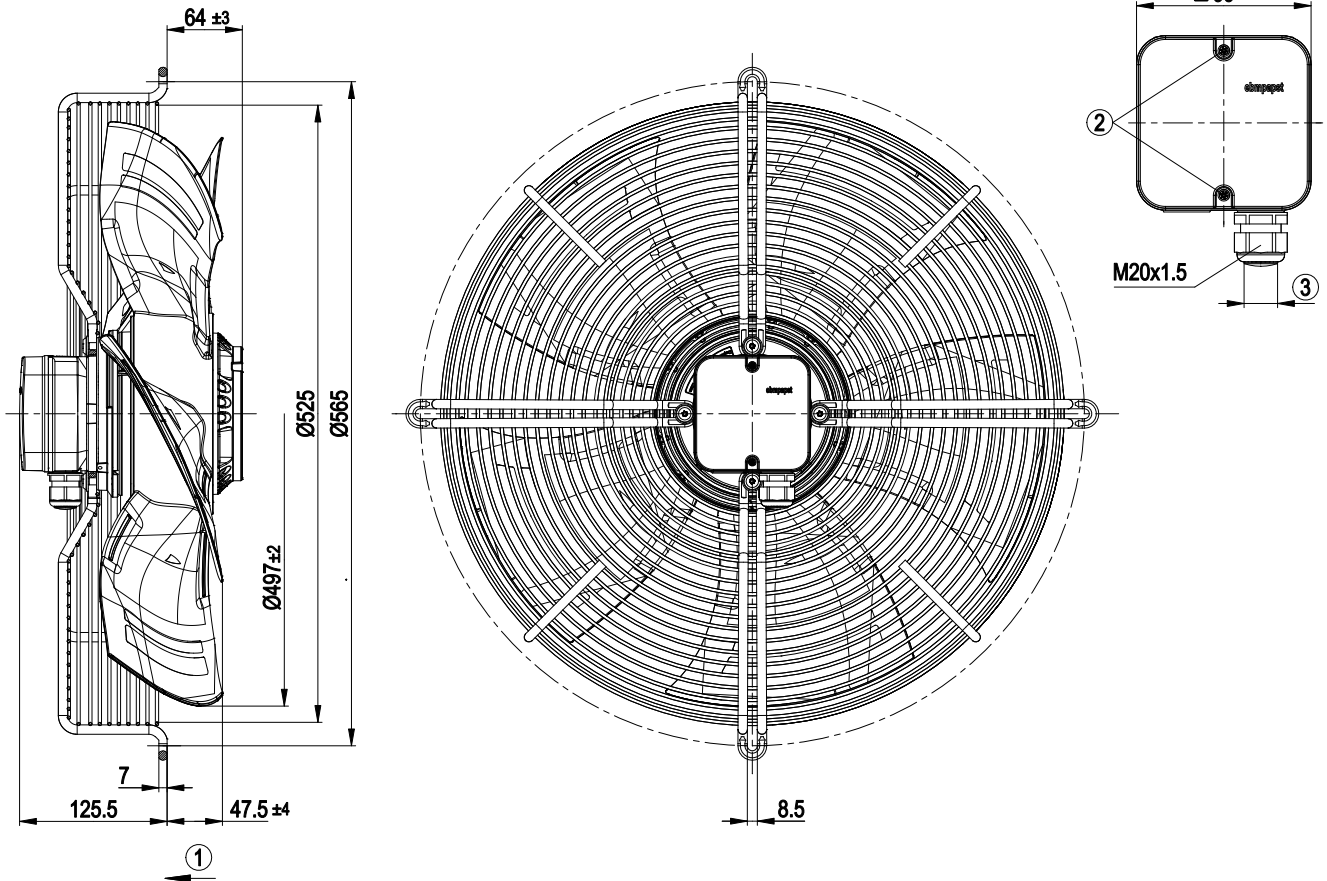
Mass	10.9 kg
Size	500 mm
Surface of rotor	Coated in black
Material of terminal box	PP plastic
Material of blades	Press-fitted sheet steel blank, sprayed with PP plastic
Material of guard grille	Stainless steel
Number of blades	5
Direction of air flow	"V"
Direction of rotation	Counter-clockwise, seen on rotor
Type of protection	IP 54
Insulation class	"F"
Humidity class	F4-1
Max. permissible ambient motor temp. (transp./ storage)	+ 80 °C
Min. permissible ambient motor temp. (transp./storage)	- 40 °C
Mounting position	Shaft horizontal or rotor on bottom; rotor on top on request
Condensate discharge holes	Rotor-side
Operation mode	S1
Motor bearing	Ball bearing
Leakage current	<= 3.5 mA
Electrical leads	Via terminal box
Motor protection	Thermal overload protector (TOP) brought out
Cable exit	Axial
Protection class	I (if protective earth is connected by customer)
Product conforming to standard	EN 61800-5-1; CE
Approval	VDE

AC axial fan - HyBlade®

sickled blades (S series)

with guard grille for short nozzle

Product drawing



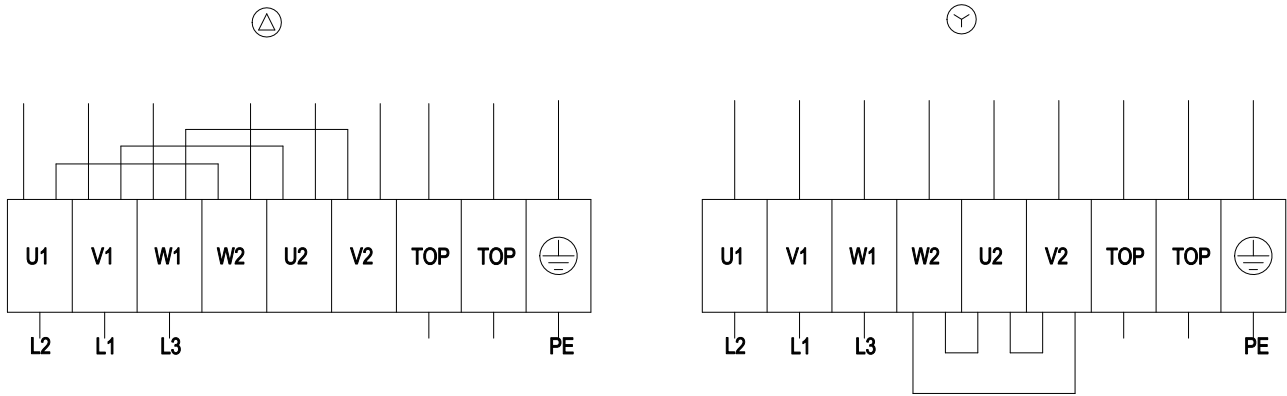
1	Direction of air flow "V"
2	Tightening torque 1.5±0.2 Nm
3	Cable diameter: min. 6 mm, max. 12 mm, tightening torque: 2±0.3 Nm



AC axial fan - HyBlade®

sickled blades (S series)
with guard grille for short nozzle

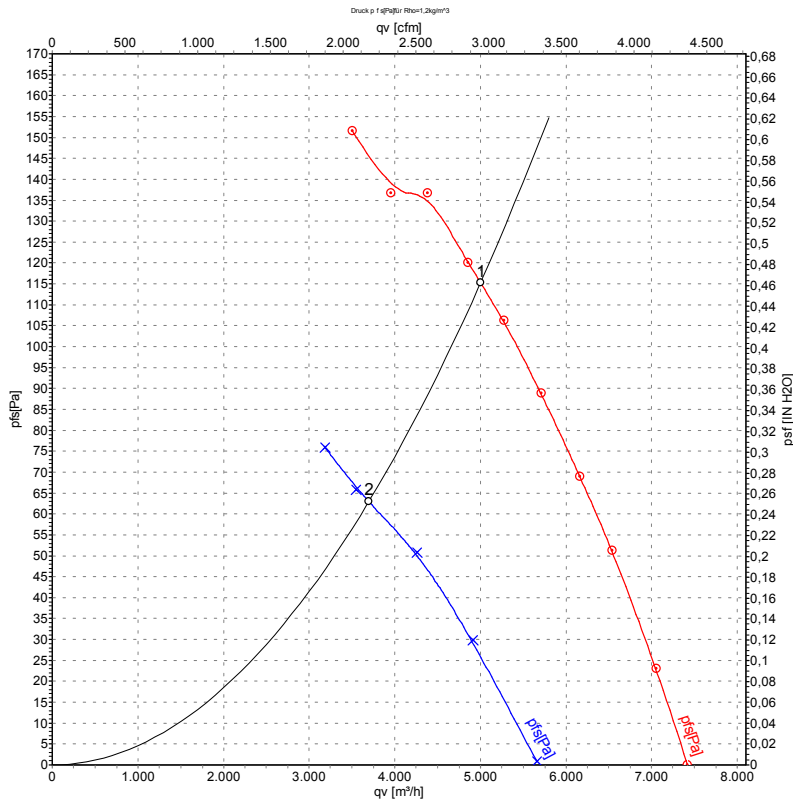
Connection screen



Δ	Delta connection	Y	Star connection	L1	= V1 = blue
L2	= U1 = black	L3	= W1 = brown	W2	yellow
U2	green	V2	white	TOP	2 x grey
PE	green/yellow				



Charts: Air flow 50 Hz



Measurement: LU-139733
Measurement: LU-141965

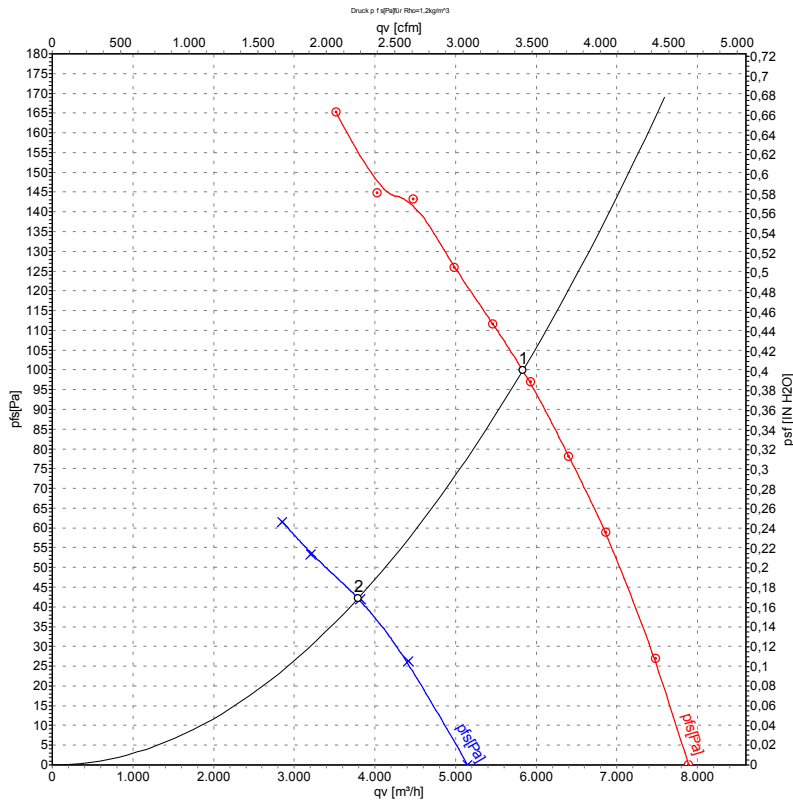
Air performance measured as per ISO 5801 Installation category A. For detailed information on the measuring set-up, please contact ebmpapst. Suction-side noise levels: LwA measured as per ISO 13347 / LpA measured with 1m distance to fan axis. The values given are valid under the measuring conditions mentioned above and may vary according to the actual installation situation. With any deviation from the standard set-up, the specific values have to be checked and reviewed with the unit installed.

Measured values

	Conn.	U	f	n	P _e	I	qv	P _{fs}
		V	Hz	min ⁻¹	W	A	m ³ /h	Pa
1	Δ	400	50	1250	640	1.14	5000	115
2	Y	400	50	920	390	0.66	3695	63



Charts: Air flow 60 Hz



Measurement: LU-139735
Measurement: LU-141964

Air performance measured as per ISO 5801 Installation category A. For detailed information on the measuring set-up, please contact ebmpapst. Suction-side noise levels: LwA measured as per ISO 13347 / LpA measured with 1m distance to fan axis. The values given are valid under the measuring conditions mentioned above and may vary according to the actual installation situation. With any deviation from the standard set-up, the specific values have to be checked and reviewed with the unit installed.

Measured values

	Conn.	U	f	n	P _e	I	qv	P _{fs}
		V	Hz	min ⁻¹	W	A	m ³ /h	Pa
1	Δ	400	60	1300	850	1.45	5835	100
2	Y	400	60	870	410	0.85	3790	44

