

AC axial fan

sickle-shaped blades (S series)
with guard grille for short nozzle

S4D400-AP16-63 ebmpapst Datasheet
sales@fansco.com
www.fansco.com

Nominal data

| | | | | | |
|-----------------------------|--------------------|----------|------|----------|------|
| Type | S4D400-AP16-63 | | | | |
| Motor | M4D074-EI | | | | |
| Phase | | 3~ | 3~ | 3~ | 3~ |
| Nominal voltage | VAC | 400 | 400 | 400 | 400 |
| Wiring | | Δ | Y | Δ | Y |
| Frequency | Hz | 50 | 50 | 60 | 60 |
| Method of obtaining data | | fa | fa | fa | fa |
| Valid for approval/standard | | CE | CE | CE | CE |
| Speed (rpm) | min ⁻¹ | 1440 | 1300 | 1670 | 1360 |
| Power consumption | W | 170 | 115 | 210 | 160 |
| Current draw | A | 0.53 | 0.21 | 0.44 | 0.27 |
| Max. back pressure | Pa | 150 | 100 | 120 | 60 |
| Max. back pressure | inH ₂ O | 0.6 | 0.4 | 0.48 | 0.24 |
| Min. ambient temperature | °C | -40 | -40 | -40 | -40 |
| Max. ambient temperature | °C | 55 | 85 | 65 | 70 |

ml = Max. load · me = Max. efficiency · fa = Free air · cs = Customer specification · ce = Customer equipment
Subject to change

Data according to ErP Directive

| | | Actual | Req. 2015 | | | |
|-----------------------------------|---|--------|-----------|-------------------------------|-------------------|------|
| 01 Overall efficiency η_{es} | % | 31.6 | 29.5 | 09 Power consumption P_e | kW | 0.22 |
| 02 Measurement category | | A | | 09 Air flow q_v | m ³ /h | 2610 |
| 03 Efficiency category | | Static | | 09 Pressure increase p_{fs} | Pa | 100 |
| 04 Efficiency grade N | | 42.1 | 40 | 10 Speed (rpm) n | min ⁻¹ | 1400 |
| 05 Variable speed drive | | No | | 11 Specific ratio* | | 1.00 |

Data obtained at optimum efficiency level.
The ErP data is determined using a motor-impeller combination in a standardized measurement setup.

* Specific ratio = $1 + p_g / 100\,000\text{ Pa}$

LU-43060



AC axial fan

sickle-shaped blades (S series)
with guard grille for short nozzle

Technical description

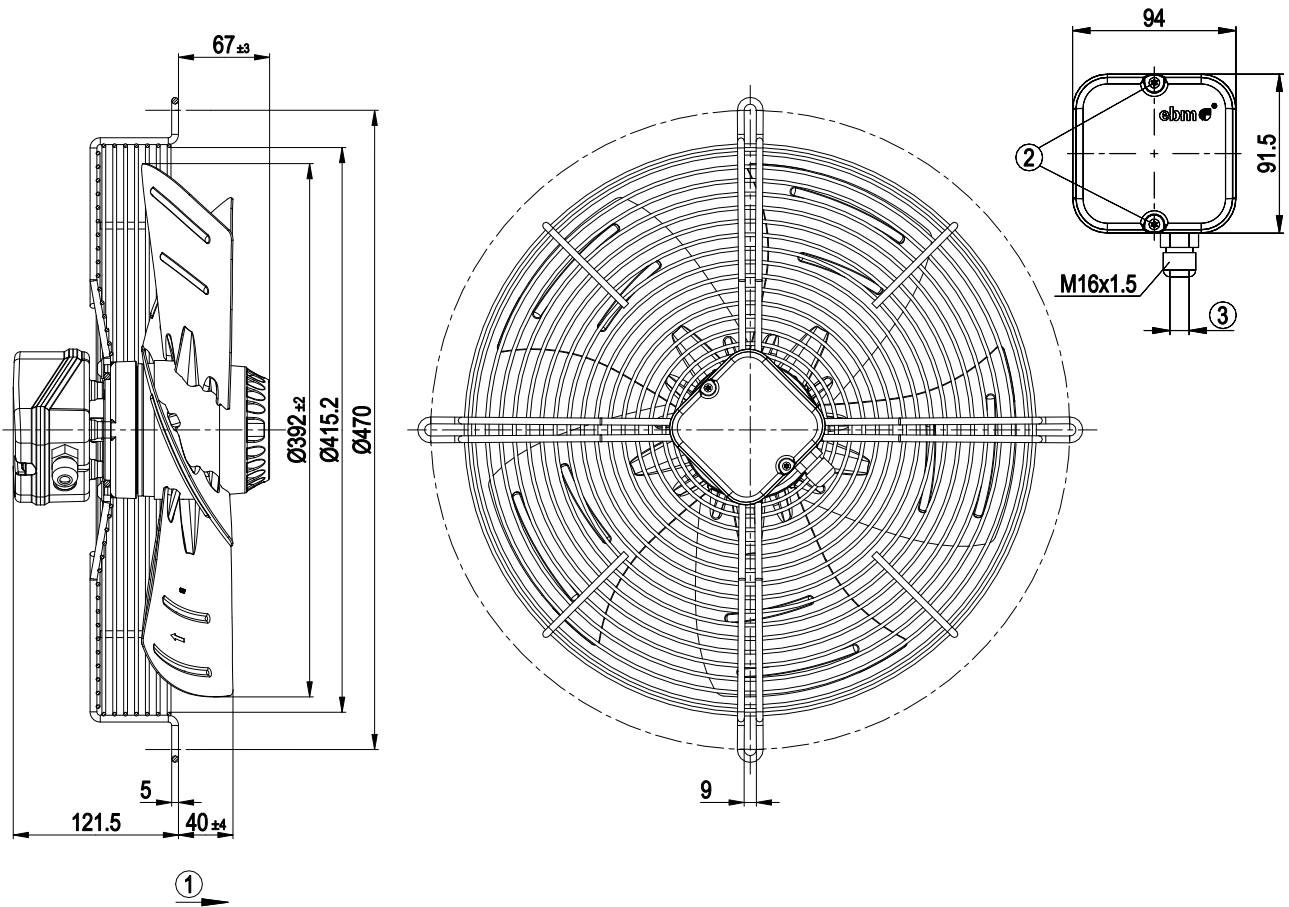
| | |
|---|--|
| Weight | 5.8 kg |
| Fan size | 400 mm |
| Rotor surface | Painted black |
| Blade material | Sheet steel, painted black |
| Guard grille material | Steel, coated with pure-white plastic (RAL 9010) |
| Number of blades | 5 |
| Airflow direction | "A" |
| Direction of rotation | Clockwise, viewed toward rotor |
| Degree of protection | IP44; installation- and position-dependent as per EN 60034-5 |
| Insulation class | "F" |
| Moisture (F) / Environmental (H) protection class | F2-2 |
| Max. permitted ambient temp. for motor (transport/storage) | + 80 °C |
| Min. permitted ambient temp. for motor (transport/storage) | - 40 °C |
| Installation position | Shaft horizontal or rotor on top; rotor on bottom on request |
| Condensation drainage holes | On stator side |
| Mode | S1 |
| Motor bearing | Ball bearing with low-temperature lubricant |
| Touch current according to IEC 60990 (measuring circuit Fig. 4, TN system) | < 0.75 mA |
| Electrical hookup | Via terminal box |
| Motor protection | Thermal overload protector (TOP) with basic insulation |
| With cable | Variable |
| Protection class | I (with customer connection of protective earth) |
| Conformity with standards | EN 60335-1; CE |



AC axial fan

sickle-shaped blades (S series)
with guard grille for short nozzle

Product drawing



| | |
|---|---|
| 1 | Direction of air flow "A" |
| 2 | Tightening torque 0.5 ± 0.1 Nm |
| 3 | Cable diameter: max. 7.5 mm, tightening torque 1.3±0.2 Nm |



AC axial fan

sickle-shaped blades (S series)
with guard grille for short nozzle

Connection diagram



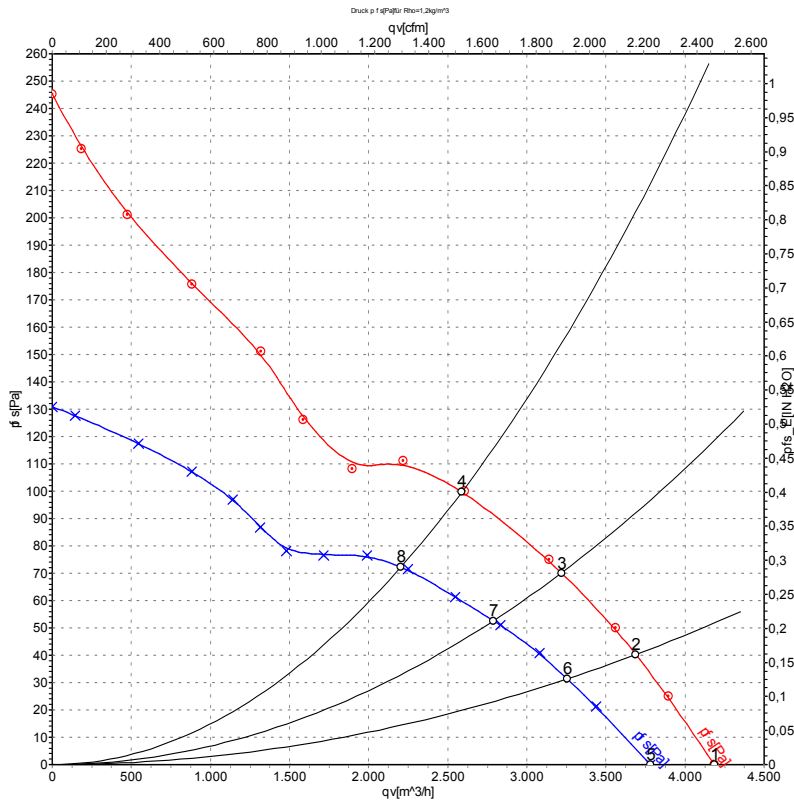
| | | | | | |
|----|------------------|----|-----------------|-----|--------------|
| Δ | Delta connection | Y | Star connection | L1 | = U1 = black |
| L2 | = V1 = blue | L3 | = W1 = brown | W2 | yellow |
| U2 | green | V2 | white | TOP | 2x gray |
| PE | green/yellow | | | | |



AC axial fan

sickle-shaped blades (S series)
with guard grille for short nozzle

Curves: Air performance 50 Hz



Measurement: LU-43060-1
Measurement: LU-51669-1

Air performance measured according to ISO 5801 installation category A. For detailed information on the measurement setup, contact ebmpapst. Intake sound level: Sound power level according to ISO 13347 / sound pressure level measured at 1 m distance from fan axis. The values given are valid under the specified measuring conditions and may vary due to conditions of installation. For deviations from the standard configuration, the parameters have to be checked on the installed unit.

Measured values

| | Wired | U | f | n | Pe | I | qv | Pfs | qv | Pfs |
|---|-------|-----|----|-------------------|-----|------|-------------------|-----|------|-------|
| | | V | Hz | min ⁻¹ | W | A | m ³ /h | Pa | cfm | inH2O |
| 1 | Δ | 400 | 50 | 1440 | 170 | 0.53 | 4185 | 0 | 2465 | 0.00 |
| 2 | Δ | 400 | 50 | 1425 | 192 | 0.51 | 3690 | 40 | 2170 | 0.16 |
| 3 | Δ | 400 | 50 | 1415 | 211 | 0.51 | 3220 | 70 | 1895 | 0.28 |
| 4 | Δ | 400 | 50 | 1400 | 229 | 0.53 | 2590 | 100 | 1525 | 0.40 |
| 5 | Y | 400 | 50 | 1300 | 115 | 0.21 | 3780 | 0 | 2225 | 0.00 |
| 6 | Y | 400 | 50 | 1255 | 131 | 0.23 | 3255 | 31 | 1915 | 0.12 |
| 7 | Y | 400 | 50 | 1220 | 145 | 0.25 | 2790 | 53 | 1640 | 0.21 |
| 8 | Y | 400 | 50 | 1180 | 156 | 0.27 | 2205 | 72 | 1295 | 0.29 |

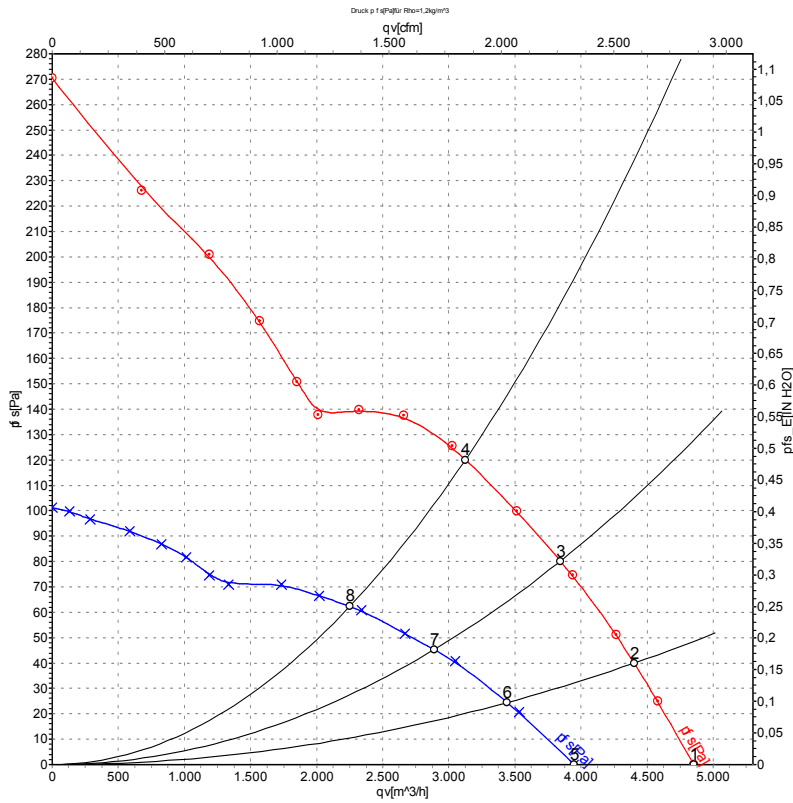
Wired = Wiring · U = Power supply · f = Frequency · n = Speed (rpm) · Pe = Power consumption · I = Current draw · qv = Air flow · Pfs = Pressure increase



AC axial fan

sickle-shaped blades (S series)
with guard grille for short nozzle

Curves: Air performance 60 Hz



Measurement: LU-43061-1
Measurement: LU-51672-1

Air performance measured according to ISO 5801 installation category A. For detailed information on the measurement setup, contact ebm-papst. Intake sound level: Sound power level according to ISO 13347 / sound pressure level measured at 1 m distance from fan axis. The values given are valid under the specified measuring conditions and may vary due to conditions of installation. For deviations from the standard configuration, the parameters have to be checked on the installed unit.

Measured values

| | Wired | U | f | n | P_e | I | q_v | p_{fs} | q_v | p_{fs} |
|---|-------|-----|----|-------------------|-------|------|-------------------|----------|-------|--------------------|
| | | V | Hz | min ⁻¹ | W | A | m ³ /h | Pa | cfm | inH ₂ O |
| 1 | Δ | 400 | 60 | 1670 | 210 | 0.44 | 4850 | 0 | 2855 | 0.00 |
| 2 | Δ | 400 | 60 | 1650 | 245 | 0.47 | 4400 | 40 | 2590 | 0.16 |
| 3 | Δ | 400 | 60 | 1625 | 279 | 0.51 | 3845 | 80 | 2260 | 0.32 |
| 4 | Δ | 400 | 60 | 1600 | 311 | 0.55 | 3125 | 120 | 1840 | 0.48 |
| 5 | Y | 400 | 60 | 1360 | 160 | 0.27 | 3950 | 0 | 2325 | 0.00 |
| 6 | Y | 400 | 60 | 1280 | 173 | 0.29 | 3440 | 25 | 2025 | 0.10 |
| 7 | Y | 400 | 60 | 1205 | 185 | 0.32 | 2890 | 45 | 1700 | 0.18 |
| 8 | Y | 400 | 60 | 1135 | 195 | 0.33 | 2250 | 62 | 1325 | 0.25 |

Wired = Wiring · U = Power supply · f = Frequency · n = Speed (rpm) · P_e = Power consumption · I = Current draw · q_v = Air flow · p_{fs} = Pressure increase

