

AC axial fan with guard grille for short nozzle sickled blades (S series)



S4D350-AR06-31 ebmpapst Datasheet
sales@fansco.com
www.fansco.com

Nominal data

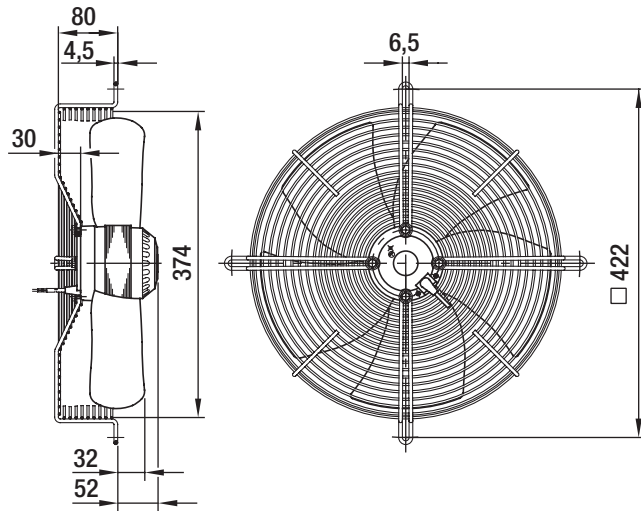
Type	S4D350-AR06-31				
Motor	M4D068-EC				
Phase		3~	3~	3~	3~
Nominal voltage	[V]	230	230	400	400
Connection		D	D	Y	Y
Frequency	[Hz]	50	60	50	60
Type of data definition		rfa	rfa	rfa	rfa
Valid for approval / standard		CE	CE	CE	CE
Speed	[min ⁻¹]	1420	1620	1420	1620
Power input	[W]	135	185	135	185
Current draw	[A]	0,73	0.64	0.42	0.37
Max. back pressure	[Pa]	120	145	120	145
Max. ambient temperature	[°C]	60	45	60	45
Air flow	[m ³ /h]	3340	3815	3340	3815
Back pressure	[Pa]	0	0	0	0
Sound pressure level	[dB(A)]	64	68	64	68

ml = max. load · me = max. efficiency · rfa = running at free air · cs = customer specs · cu = customer unit
 Subject to alterations

Technical features

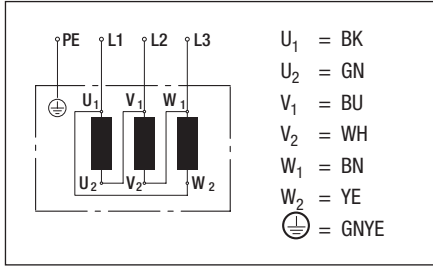
Size	350 mm
Operation mode	Continuous operation (S1)
Direction of rotation	Clockwise, seen on rotor
Direction of air flow	"A"
Insulation class	"F"
Cable exit	Axial
Bearing motor	Ball bearing
Mass	3.6 kg
Material of electronics housing	Rotor: Coated in black
Material of impeller	Sheet steel, coated in black
Number of blades	5
Type of protection	IP 44 - depending on position
Protection class	I
Approval	CCC

Product drawing

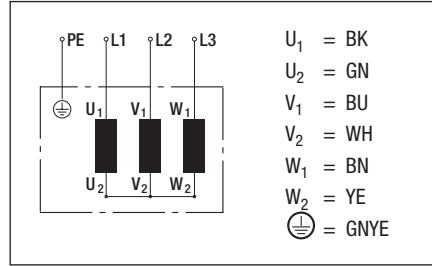


Connection screen

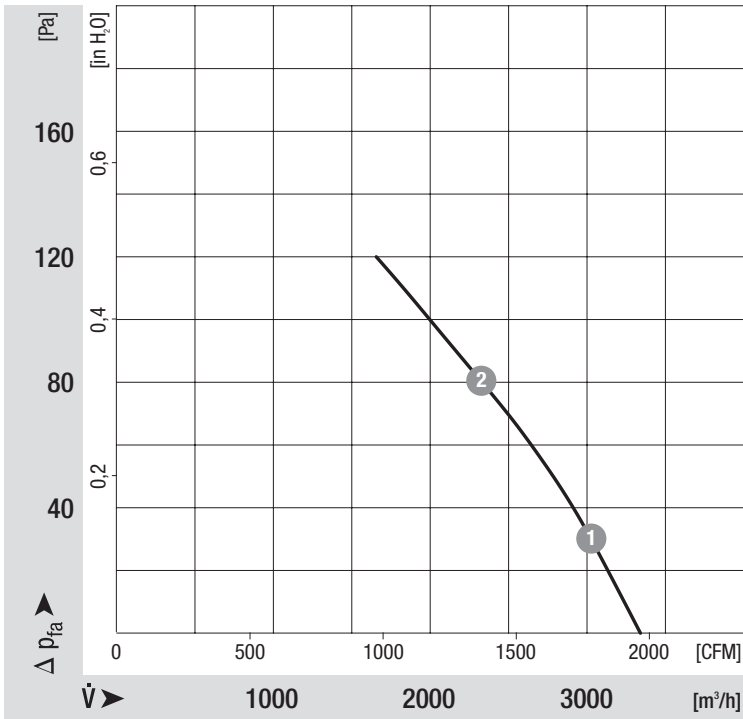
Delta (3~ 230 VAC)



Star (3~ 400 VAC)



Charts: Air flow 50 Hz



Measured values

	n	P ₁	I
	[min ⁻¹]	[W]	[A]
1	1400	150	0.43
2	1380	173	0.43

Charts: Air flow 60 Hz

