

S4D350-AN22-67 ebmpapst Datasheet FansCo

sales@fansco.com

www.fansco.com

Nominal data

| | | | | |
|-------------------------------|-------------------|------|------|------|
| Type | S4D350-AN22-67 | | | |
| Motor | M4D074-DF | | | |
| Phase | | 3~ | 3~ | 3~ |
| Nominal voltage | VAC | 400 | 400 | 480 |
| Connection | | Y | Y | Y |
| Frequency | Hz | 50 | 60 | 60 |
| Type of data definition | | ml | ml | ml |
| Valid for approval / standard | | CE | CE | CE |
| Speed | min ⁻¹ | 930 | 830 | 990 |
| Power input | W | 95 | 100 | 135 |
| Current draw | A | 0.16 | 0.17 | 0.18 |
| Max. back pressure | Pa | 40 | 30 | 42 |
| Min. ambient temperature | °C | -40 | -40 | -40 |
| Max. ambient temperature | °C | 80 | 65 | 55 |

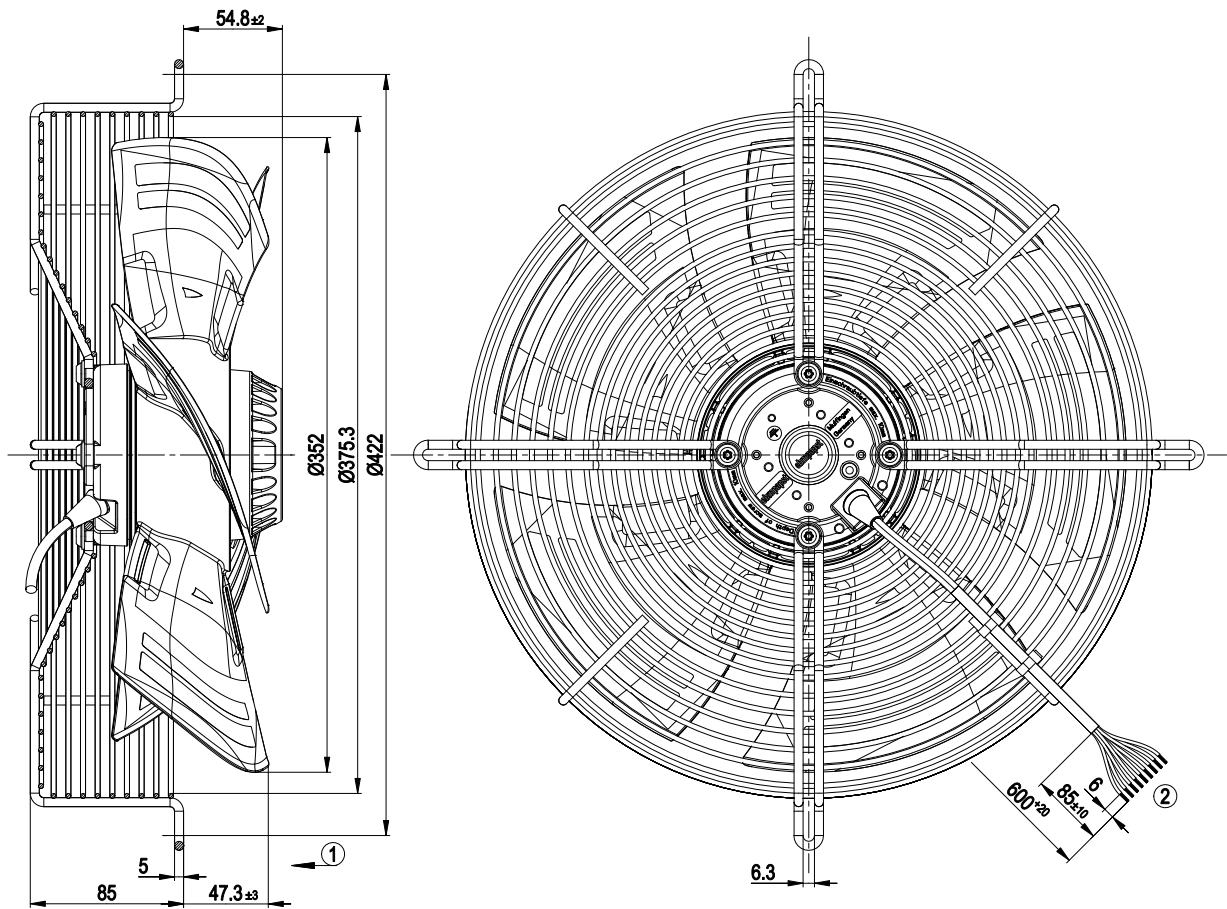
ml = Max. load · me = Max. efficiency · fa = Running at free air · cs = Customer specs · cu = Customer unit
Subject to alterations



Technical features

| | |
|---|---|
| Mass | 4.66 kg |
| Size | 350 mm |
| Surface of rotor | Coated in black |
| Material of blades | PP plastic |
| Material of guard grille | Steel, coated in black plastic (RAL9005) |
| Number of blades | 5 |
| Direction of air flow | "V" |
| Direction of rotation | Counter-clockwise, seen on rotor |
| Type of protection | IP 44; Depending on installation and position as per EN 60034-5 |
| Insulation class | "F" |
| Humidity class | F2-2 |
| Max. permissible ambient motor temp. (transp./ storage) | + 80 °C |
| Min. permissible ambient motor temp. (transp./storage) | - 40 °C |
| Mounting position | Shaft horizontal or rotor on bottom; rotor on top on request |
| Condensate discharge holes | Rotor-side |
| Operation mode | S1 |
| Motor bearing | Ball bearing with anti-freezing grease |
| Touch current acc. IEC 60990 (measuring network Fig. 4, TN system) | < 0.75 mA |
| Motor protection | Thermal overload protector (TOP) brought out |
| Cable exit | Variable |
| Protection class | I (if protective earth is connected by customer) |
| Product conforming to standard | EN 60335-1; CE |

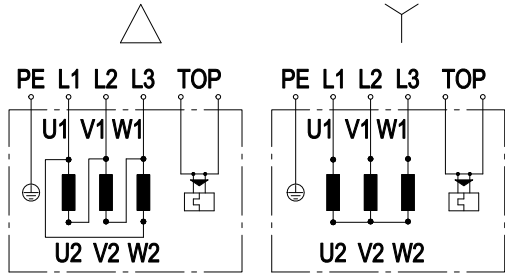
Product drawing



| | |
|---|--|
| | Terminal box is included separately |
| 1 | Direction of air flow "V" |
| 2 | Connection line silicone 9G 0.5 mm ² , 9x brass lead tips crimped |

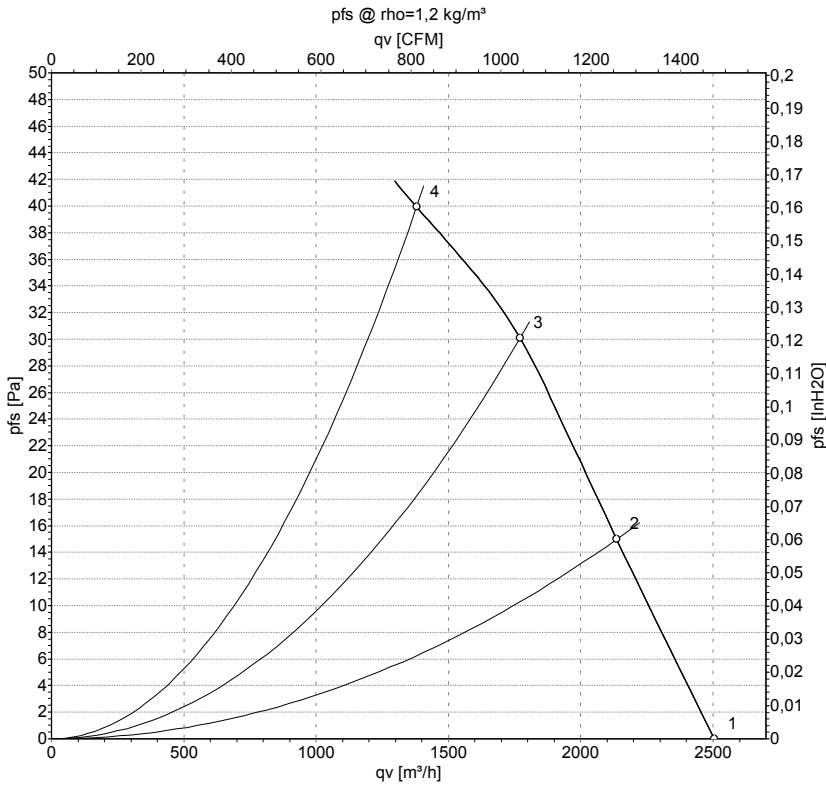


Connection screen



| | | | | | |
|----|------------------|----|-----------------|-----|--------|
| Δ | Delta connection | Y | Star connection | L1 | black |
| L2 | blue | L3 | brown | U1 | black |
| V1 | blue | W1 | brown | U2 | green |
| V2 | white | W2 | yellow | TOP | 2xgrey |
| PE | green/yellow | | | | |

Charts: Air flow 50 Hz



Measurement: LU-140571

Air performance measured as per ISO 5801 Installation category A. For detailed information on the measuring set-up, please contact ebm-papst. Suction-side noise levels: LwA measured as per ISO 13347 / LpA measured with 1m distance to fan axis. The values given are valid under the measuring conditions mentioned above and may vary according to the actual installation situation. With any deviation from the standard set-up, the specific values have to be checked and reviewed with the unit installed.

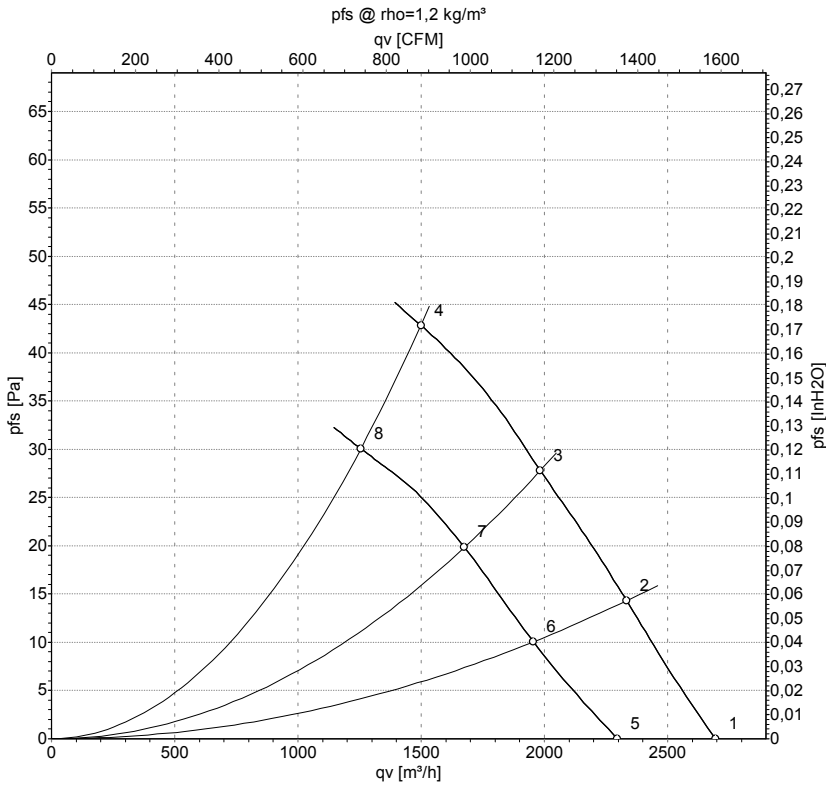
Measured values

| | Conn. | U | f | n | P _e | I | qv | p _{fs} |
|---|-------|-----|----|-------------------|----------------|------|------|-----------------|
| | | V | Hz | min ⁻¹ | W | A | m³/h | Pa |
| 1 | Y | 400 | 50 | 1080 | 80 | 0.13 | 2505 | 0 |
| 2 | Y | 400 | 50 | 1025 | 85 | 0.14 | 2135 | 15 |
| 3 | Y | 400 | 50 | 980 | 89 | 0.15 | 1770 | 30 |
| 4 | Y | 400 | 50 | 930 | 95 | 0.16 | 1380 | 40 |

Conn. = Connection · U = Supply voltage · f = Frequency · n = Speed · P_e = Power input · I = Current draw · qv = Air flow · p_{fs} = Pressure increase



Charts: Air flow 60 Hz



Measurement: LU-140577
Measurement: LU-140575

Air performance measured as per ISO 5801 Installation category A. For detailed information on the measuring set-up, please contact ebm-papst. Suction-side noise levels: LwA measured as per ISO 13347 / LpA measured with 1m distance to fan axis. The values given are valid under the measuring conditions mentioned above and may vary according to the actual installation situation. With any deviation from the standard set-up, the specific values have to be checked and reviewed with the unit installed.

Measured values

| | Conn. | U | f | n | P _e | I | qv | P _{fs} |
|---|-------|-----|----|-------------------|----------------|------|-------------------|-----------------|
| | | V | Hz | min ⁻¹ | W | A | m ³ /h | Pa |
| 1 | Y | 480 | 60 | 1160 | 119 | 0.16 | 2695 | 0 |
| 2 | Y | 480 | 60 | 1100 | 124 | 0.17 | 2335 | 14 |
| 3 | Y | 480 | 60 | 1045 | 128 | 0.17 | 1985 | 28 |
| 4 | Y | 480 | 60 | 990 | 135 | 0.18 | 1500 | 42 |
| 5 | Y | 400 | 60 | 985 | 94 | 0.16 | 2295 | 0 |
| 6 | Y | 400 | 60 | 925 | 96 | 0.16 | 1955 | 10 |
| 7 | Y | 400 | 60 | 880 | 98 | 0.16 | 1675 | 20 |
| 8 | Y | 400 | 60 | 830 | 100 | 0.17 | 1255 | 30 |

Conn. = Connection · U = Supply voltage · f = Frequency · n = Speed · P_e = Power input · I = Current draw · qv = Air flow · P_{fs} = Pressure increase

