

S4D300-AR34-17

AC axial fan

sickle-shaped blades (S series)
with guard grille for short nozzle



S4D300-AR34-17 ebmpapst Datasheet
sales@fansco.com
www.fansco.com

Limited partnership · Headquarters Mulfingen
Amtsgericht (court of registration) Stuttgart · HRA 590344

General partner Elektrobau Mulfingen GmbH · Headquarters Mulfingen
Amtsgericht (court of registration) Stuttgart · HRB 590142

Nominal data

Type	S4D300-AR34-17				
Motor	M4D068-CF				
Phase		3~	3~	3~	3~
Nominal voltage	VAC	230	230	400	400
Wiring		Δ	Δ	Y	Y
Frequency	Hz	50	60	50	60
Method of obtaining data		fa	fa	fa	fa
Valid for approval/standard		CE	CE	CE	CE
Speed (rpm)	min ⁻¹	1360	1490	1360	1490
Power consumption	W	56	75	56	75
Current draw	A	0.23	0.23	0.13	0.13
Max. back pressure	Pa	50	60	50	60
Max. back pressure	inH2O	0.2	0.24	0.2	0.24
Min. ambient temperature	°C	-25	-25	-25	-25
Max. ambient temperature	°C	75	70	75	70

ml = Max. load · me = Max. efficiency · fa = Free air · cs = Customer specification · ce = Customer equipment
Subject to change



AC axial fan

sickle-shaped blades (S series)
with guard grille for short nozzle

Technical description

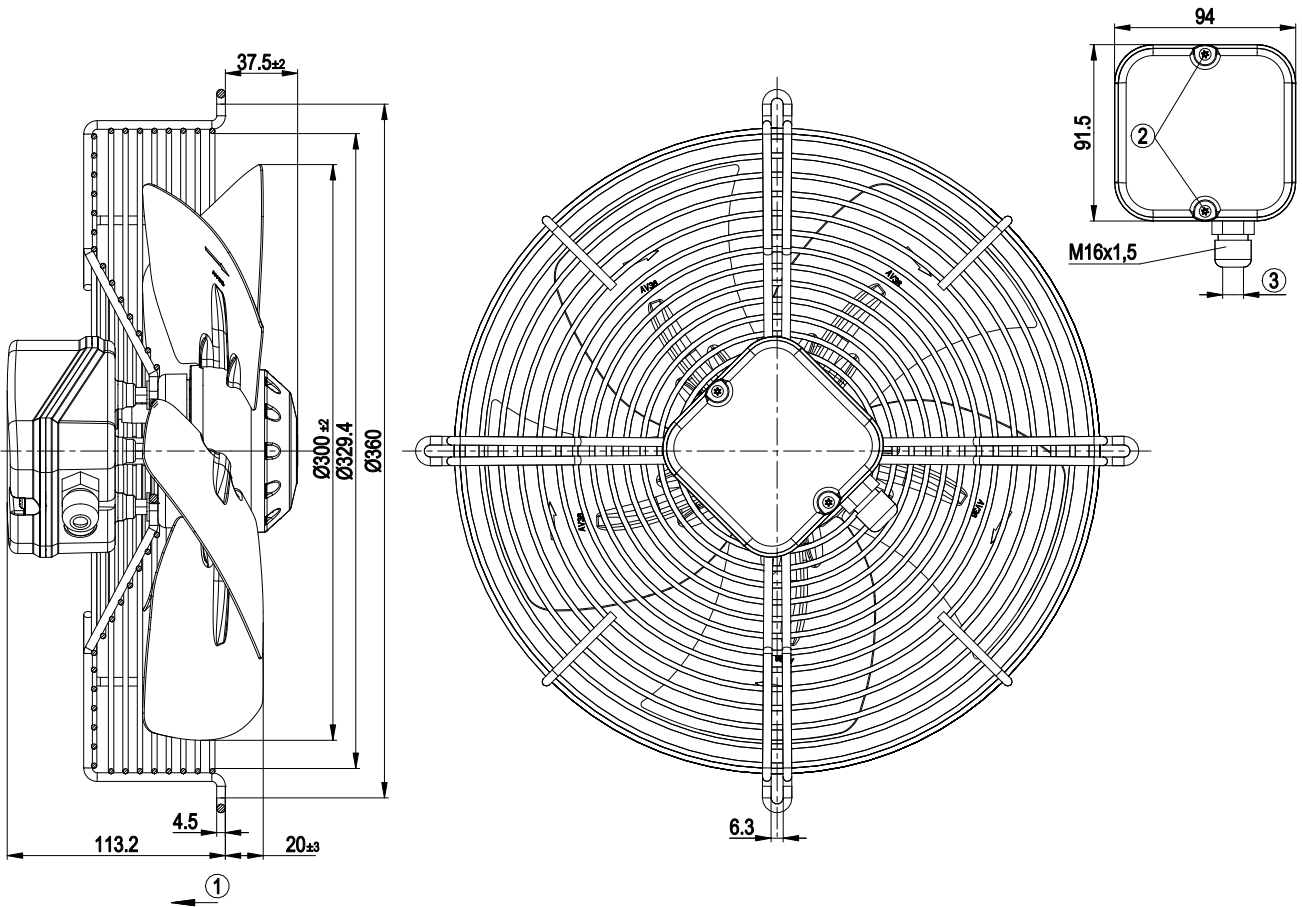
Weight	3.1 kg
Fan size	300 mm
Rotor surface	Painted black
Terminal box material	ABS plastic
Blade material	Sheet steel, painted black
Guard grille material	Steel, coated with black plastic (RAL 9005)
Number of blades	5
Airflow direction	"V"
Direction of rotation	Counterclockwise, viewed toward rotor
Degree of protection	IP44; installation- and position-dependent as per EN 60034-5
Insulation class	"B"
Moisture (F) / Environmental (H) protection class	F2-2
Max. permitted ambient temp. for motor (transport/storage)	+ 80 °C
Min. permitted ambient temp. for motor (transport/storage)	- 40 °C
Installation position	Shaft horizontal or rotor on bottom; rotor on top on request
Condensation drainage holes	On rotor side
Mode	S1
Motor bearing	Ball bearing
Touch current according to IEC 60990 (measuring circuit Fig. 4, TN system)	< 0.75 mA
Electrical hookup	Via terminal box
With cable	Axial
Protection class	I (with customer connection of protective earth)
Conformity with standards	EN 60335-1



AC axial fan

sickle-shaped blades (S series)
with guard grille for short nozzle

Product drawing



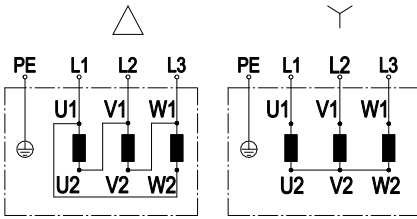
1	Direction of air flow "V"
2	Tightening torque 0.8 ± 0.2 Nm
3	Cable diameter max. 7.5 mm; tightening torque 1.3 ± 0.2 Nm



AC axial fan

sickle-shaped blades (S series)
with guard grille for short nozzle

Connection diagram



Change of rotation direction by reversing two phases

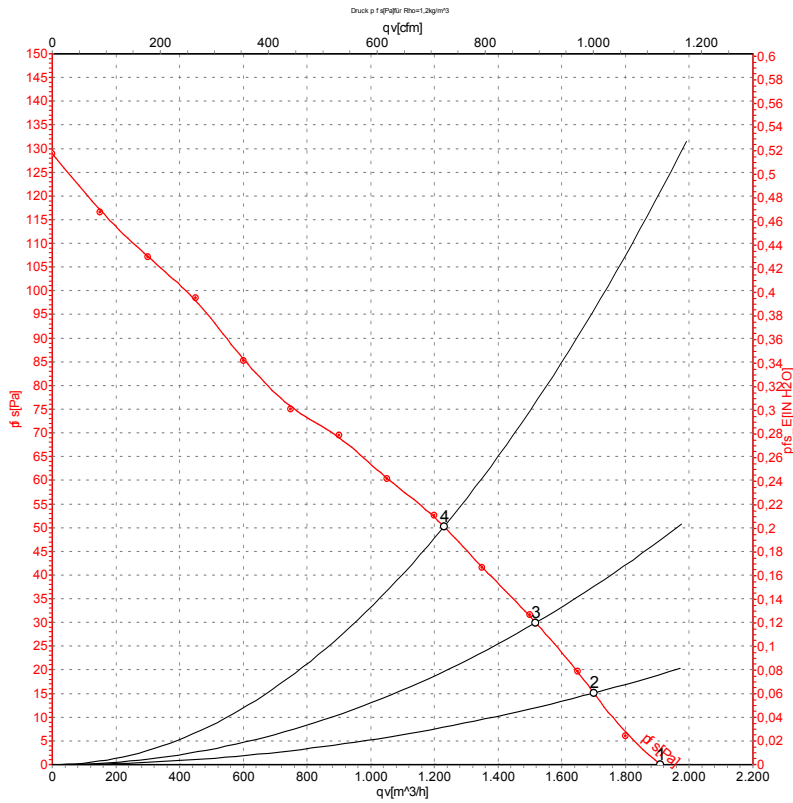
	Three-phase motor	Δ	Delta connection	Y	Star connection
L1	= U1 = black	L2	= V1 = blue	L3	= W1 = brown
U2	green	V2	white	W2	yellow
PE	green/yellow				



AC axial fan

sickle-shaped blades (S series)
with guard grille for short nozzle

Curves: Air performance 50 Hz Y



Measurement: LU-111447-1

Air performance measured according to ISO 5801 installation category A. For detailed information on the measurement setup, contact ebm-papst. Intake sound level: Sound power level according to ISO 13347 / sound pressure level measured at 1 m distance from fan axis. The values given are valid under the specified measuring conditions and may vary due to conditions of installation. For deviations from the standard configuration, the parameters have to be checked on the installed unit.

Measured values

	Wired	U	f	n	P _e	I	qv	p _{fs}	qv	p _{fs}
		V	Hz	min ⁻¹	W	A	m ³ /h	Pa	CFM	inH ₂ O
1	Y	400	50	1360	56	0.13	1910	0	1125	0.00
2	Y	400	50	1340	60	0.13	1700	15	1000	0.06
3	Y	400	50	1325	64	0.14	1520	30	895	0.12
4	Y	400	50	1300	69	0.14	1230	50	725	0.20

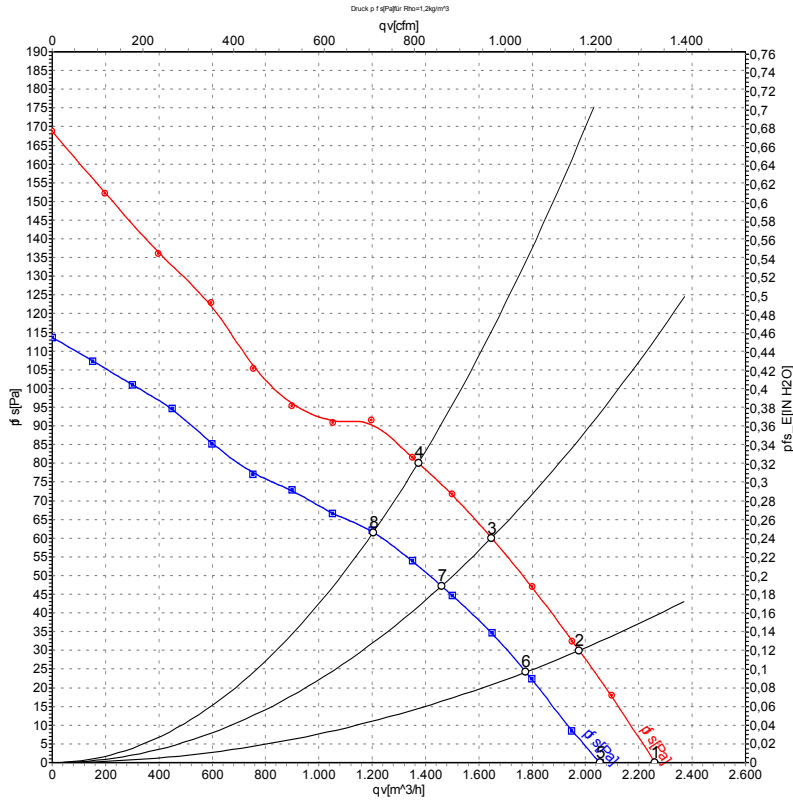
Wired = Wiring · U = Power supply · f = Frequency · n = Speed (rpm) · P_e = Power consumption · I = Current draw · qv = Air flow · p_{fs} = Pressure increase



AC axial fan

sickle-shaped blades (S series)
with guard grille for short nozzle

Curves: Air performance 60 Hz Y



Measurement: LU-122091-1
Measurement: LU-111449-1

Air performance measured according to ISO 5801 installation category A. For detailed information on the measurement setup, contact ebmpapst. Intake sound level: Sound power level according to ISO 13347 / sound pressure level measured at 1 m distance from fan axis. The values given are valid under the specified measuring conditions and may vary due to conditions of installation. For deviations from the standard configuration, the parameters have to be checked on the installed unit.

Measured values

	Wired	U	f	n	P _e	I	qv	p _{fs}	qv	p _{fs}
		V	Hz	min ⁻¹	W	A	m ³ /h	Pa	CFM	inH2O
1	Y	480	60	1600	85	0.15	2260	0	1330	0.00
2	Y	480	60	1580	92	0.15	1975	30	1160	0.12
3	Y	480	60	1540	102	0.16	1645	60	970	0.24
4	Y	480	60	1520	108	0.16	1375	80	810	0.32
5	Y	400	60	1490	75	0.13	2055	0	1210	0.00
6	Y	400	60	1455	82	0.14	1775	24	1045	0.10
7	Y	400	60	1415	89	0.15	1460	47	860	0.19
8	Y	400	60	1360	96	0.16	1205	60	710	0.24

Wired = Wiring · U = Power supply · f = Frequency · n = Speed (rpm) · P_e = Power consumption · I = Current draw · qv = Air flow · p_{fs} = Pressure increase

