

# AC axial fan

sickle-shaped blades (S series)

with guard grille for full nozzle

S4D250-BI22-01 ebmpapst Datasheet

sales@fansco.com

www.fansco.com

Limited partnership · Headquarters Mulfingen

Amtsgericht (court of registration) Stuttgart · HRA 590344

General partner Elektrobau Mulfingen GmbH · Headquarters Mulfingen

Amtsgericht (court of registration) Stuttgart · HRB 590142

## Nominal data

Type	S4D250-BI22-01				
Motor	M4D068-CF				
Phase		3~	3~	3~	3~
Nominal voltage	VAC	230	230	400	400
Wiring		Δ	Δ	Y	Y
Frequency	Hz	50	60	50	60
Method of obtaining data		fa	fa	fa	fa
Valid for approval/standard		CE	CE	CE	CE
Speed (rpm)	min <sup>-1</sup>	1400	1580	1400	1580
Power consumption	W	25	32	25	32
Current draw	A	0.12	0.12	0.07	0.07
Max. back pressure	Pa	70	70	70	70
Max. back pressure	inH <sub>2</sub> O	0.28	0.28	0.28	0.28
Min. ambient temperature	°C	-25	-25	-25	-25
Max. ambient temperature	°C	85	80	85	80
Starting current	A	0.16	0.15	0.16	0.15

ml = Max. load · me = Max. efficiency · fa = Free air · cs = Customer specification · ce = Customer equipment  
Subject to change



# AC axial fan

sickle-shaped blades (S series)  
with guard grille for full nozzle

## Technical description

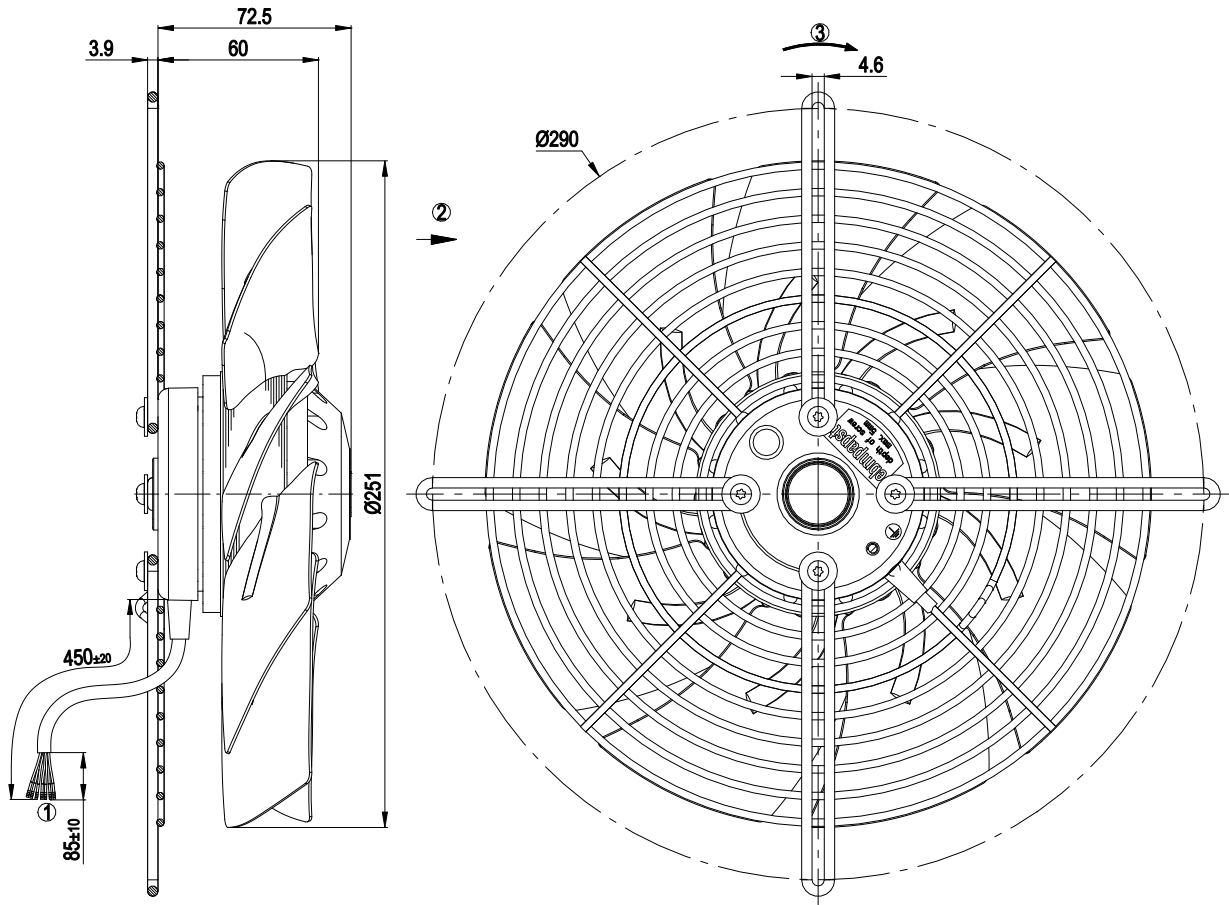
Weight	2.17 kg
Fan size	250 mm
Rotor surface	Painted black
Blade material	Sheet steel, painted black
Guard grille material	Steel, phosphated and coated with black plastic
Number of blades	9
Airflow direction	"A"
Direction of rotation	Counterclockwise, viewed toward rotor
Degree of protection	IP44
Insulation class	"B"
Moisture (F) / Environmental (H) protection class	H0+
Max. permitted ambient temp. for motor (transport/storage)	+ 80 °C
Min. permitted ambient temp. for motor (transport/storage)	- 40 °C
Installation position	Shaft horizontal or rotor on bottom; rotor on top on request
Condensation drainage holes	On rotor side
Mode	S1
Motor bearing	Ball bearing
Touch current according to IEC 60990 (measuring circuit Fig. 4, TN system)	< 0.75 mA
With cable	Lateral
Protection class	I (with customer connection of protective earth)
Conformity with standards	EN 60335-1
Approval	CCC; EAC



# AC axial fan

sickle-shaped blades (S series)  
with guard grille for full nozzle

## Product drawing



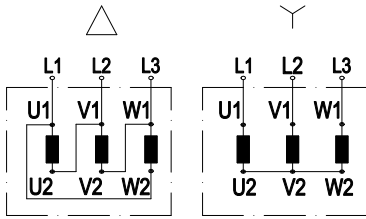
1	Cable PVC, 7x crimped splices
2	Direction of air flow "A"
3	Direction of rotation counterclockwise, viewed toward rotor



# AC axial fan

sickle-shaped blades (S series)  
with guard grille for full nozzle

## Connection diagram



Change of rotation direction by reversing two phases

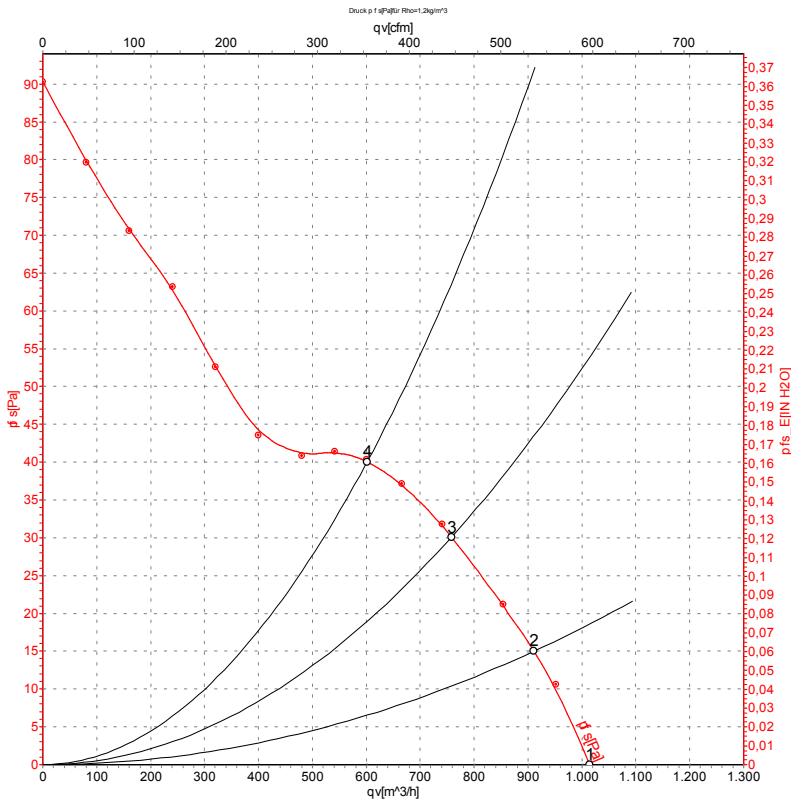
	Three-phase motor	Δ	Delta connection	Y	Star connection
L1	= U1 = black	L2	= V1 = blue	L3	= W1 = brown
U2	green	V2	white	W2	yellow



# AC axial fan

sickle-shaped blades (S series)  
with guard grille for full nozzle

## Curves: Air performance 50 Hz



Measurement: LU-59962-1

Air performance measured according to ISO 5801 installation category A. For detailed information on the measurement setup, contact ebm-papst. Intake sound level: Sound power level according to ISO 13347 / sound pressure level measured at 1 m distance from fan axis. The values given are valid under the specified measuring conditions and may vary due to conditions of installation. For deviations from the standard configuration, the parameters have to be checked on the installed unit.

## Measured values

	U	f	n	P <sub>e</sub>	I	qv	p <sub>fs</sub>	qv	p <sub>fs</sub>
	V	Hz	min <sup>-1</sup>	W	A	m <sup>3</sup> /h	Pa	CFM	inH <sub>2</sub> O
1	400	50	1400	25	0.07	1015	0	595	0.00
2	400	50	1380	27	0.07	910	15	535	0.06
3	400	50	1365	29	0.07	760	30	445	0.12
4	400	50	1355	30	0.07	600	40	355	0.16

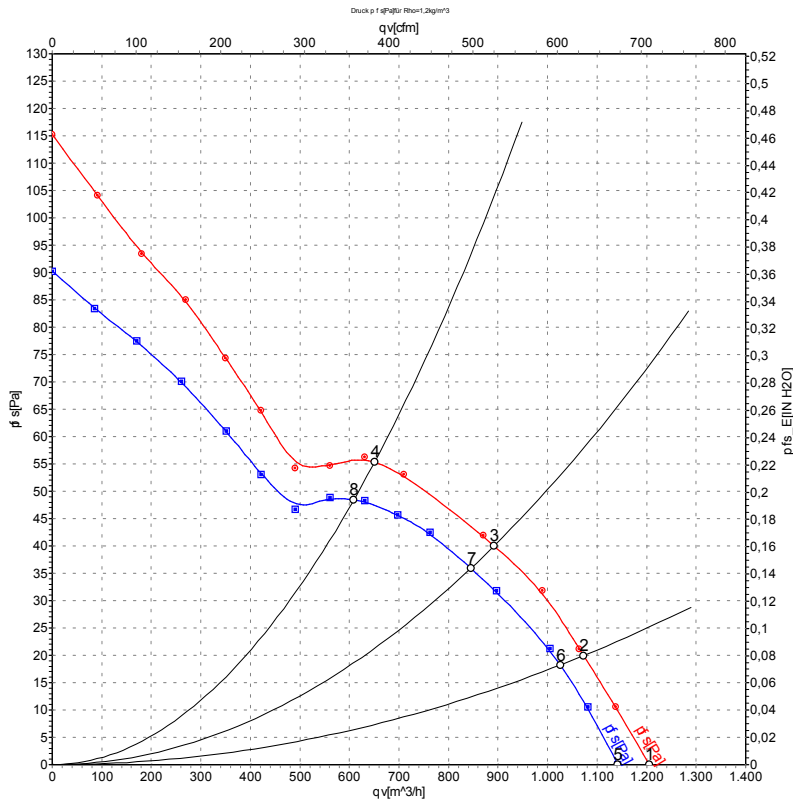
U = Power supply · f = Frequency · n = Speed (rpm) · P<sub>e</sub> = Power consumption · I = Current draw · qv = Air flow · p<sub>fs</sub> = Pressure increase



# AC axial fan

sickle-shaped blades (S series)  
with guard grille for full nozzle

## Curves: Air performance 60 Hz



Measurement: LU-59964-1  
Measurement: LU-59963-1

Air performance measured according to ISO 5801 installation category A. For detailed information on the measurement setup, contact ebm-papst. Intake sound level: Sound power level according to ISO 13347 / sound pressure level measured at 1 m distance from fan axis. The values given are valid under the specified measuring conditions and may vary due to conditions of installation. For deviations from the standard configuration, the parameters have to be checked on the installed unit.

## Measured values

	U	f	n	P <sub>e</sub>	I	qv	p <sub>fs</sub>	qv	p <sub>fs</sub>
	V	Hz	min <sup>-1</sup>	W	A	m <sup>3</sup> /h	Pa	CFM	inH2O
1	480	60	1650	35	0.07	1205	0	710	0.00
2	480	60	1625	40	0.07	1075	20	630	0.08
3	480	60	1600	44	0.08	890	40	525	0.16
4	480	60	1585	46	0.08	650	56	385	0.22
5	400	60	1580	32	0.07	1140	0	670	0.00
6	400	60	1550	35	0.07	1025	18	605	0.07
7	400	60	1510	38	0.07	845	36	495	0.14
8	400	60	1490	40	0.08	610	48	360	0.19

U = Power supply · f = Frequency · n = Speed (rpm) · P<sub>e</sub> = Power consumption · I = Current draw · qv = Air flow · p<sub>fs</sub> = Pressure increase

