

# AC axial fan with guard grille for full nozzle straight blades (A series)



S4D250-BA04-01 ebmpapst Datasheet  
[sales@fansco.com](mailto:sales@fansco.com)  
[www.fansco.com](http://www.fansco.com)

## Nominal data

Type	S4D250-BA04-01				
Motor	M4D068-CF				
Phase		3~	3~	3~	3~
Nominal voltage	[V]	230	230	400	400
Connection		D	D	Y	Y
Frequency	[Hz]	50	60	50	60
Type of data definition		rfa	rfa	rfa	rfa
Valid for approval / standard		CE	CE	CE	CE
Speed	[min <sup>-1</sup> ]	1420	1650	1420	1650
Power input	[W]	30	35	30	35
Current draw	[A]	0,16	0.14	0.09	0.08
Max. back pressure	[Pa]	90	100	90	100
Max. ambient temperature	[°C]	80	80	80	80
Air flow	[m <sup>3</sup> /h]	890	1035	890	1035
Back pressure	[Pa]	0	0	0	0
Sound pressure level	[dB(A)]	58	62	58	62

ml = max. load · me = max. efficiency · rfa = running at free air · cs = customer specs · cu = customer unit  
 Subject to alterations

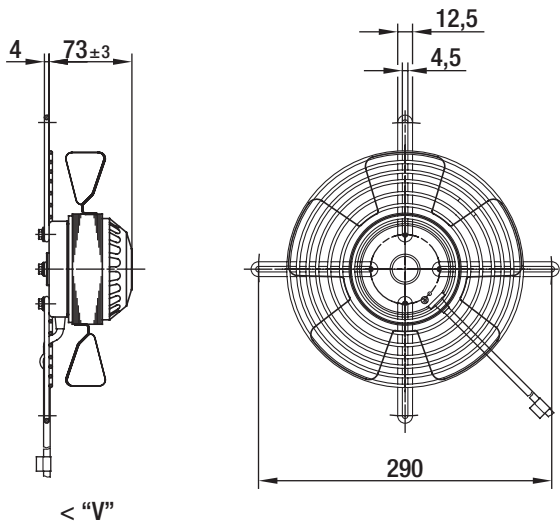
# AC axial fan

 with guard grille for full nozzle  
straight blades (A series)

## Technical features

Size	250 mm
Operation mode	Continuous operation (S1)
Direction of rotation	Counter-clockwise, seen on rotor
Direction of air flow	"V"
Insulation class	"B"
Cable exit	Lateral
Bearing motor	Ball bearing
Mass	1.6 kg
Material of impeller	Sheet steel, coated in black
Number of blades	5
Type of protection	IP 44 - depending on position
Protection class	I

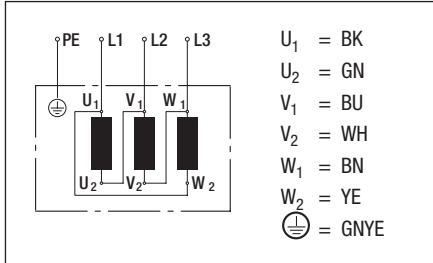
Product drawing



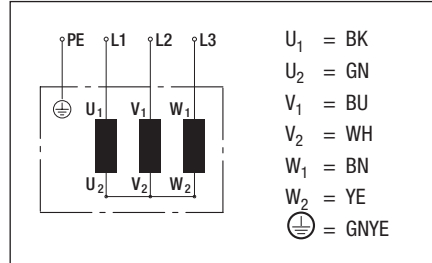
# AC axial fan with guard grille for full nozzle straight blades (A series)

## Connection screen

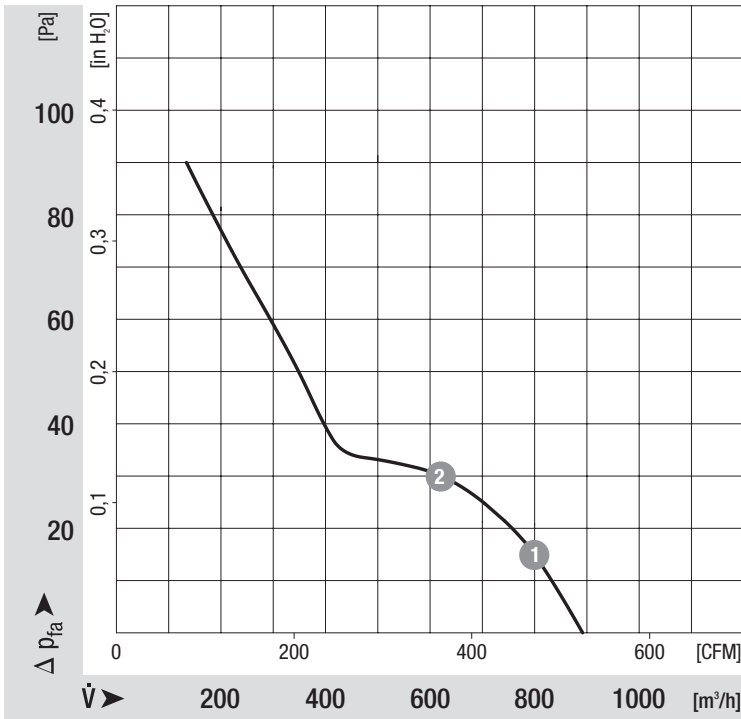
Delta (3~ 230 VAC)



Star (3~ 400 VAC)



Charts: Air flow 50 Hz



Measured values

	n	P <sub>1</sub>	I
	[min <sup>-1</sup> ]	[W]	[A]
1	1420	32	0.09
2	1410	33	0.09

Charts: Air flow 60 Hz

