

EC axial fan

sickle-shaped blades (S series)
with guard grille for short nozzle

S3G500-AF48-55 ebmpapst Datasheet
sales@fansco.com
www.fansco.com

Limited partnership · Headquarters Muldingen
Amtsgericht (court of registration) Stuttgart · HRA 590344
General partner Elektrobau Muldingen GmbH · Headquarters Muldingen
Amtsgericht (court of registration) Stuttgart · HRB 590142

Nominal data

Type	S3G500-AF48-55	
Motor	M3G084-DF	
Phase		1~
Nominal voltage	VAC	230
Nominal voltage range	VAC	200 .. 277
Frequency	Hz	50/60
Method of obtaining data		ml
Speed (rpm)	min ⁻¹	870
Power consumption	W	180
Current draw	A	1.2
Max. back pressure	Pa	70
Max. back pressure	in. wg	0.28
Min. ambient temperature	°C	-25
Max. ambient temperature	°C	60

ml = Max. load · me = Max. efficiency · fa = Free air · cs = Customer specification · ce = Customer equipment
Subject to change

Data according to Commission Regulation (EU) 327/2011

		Actual	Req. 2015		
01 Overall efficiency η_{es}	%	39	29	09 Power consumption P_{ed}	kW
02 Measurement category		A		09 Air flow q_v	m ³ /h
03 Efficiency category		Static		09 Pressure increase p_{fs}	Pa
04 Efficiency grade N		50	40	10 Speed (rpm) n	min ⁻¹
05 Variable speed drive		Yes		11 Specific ratio*	
					1.00

Data obtained at optimum efficiency level.
The ErP data is determined using a motor-impeller combination in a standardized measurement setup.

* Specific ratio = $1 + p_s / 100\,000\text{ Pa}$

LU-118060



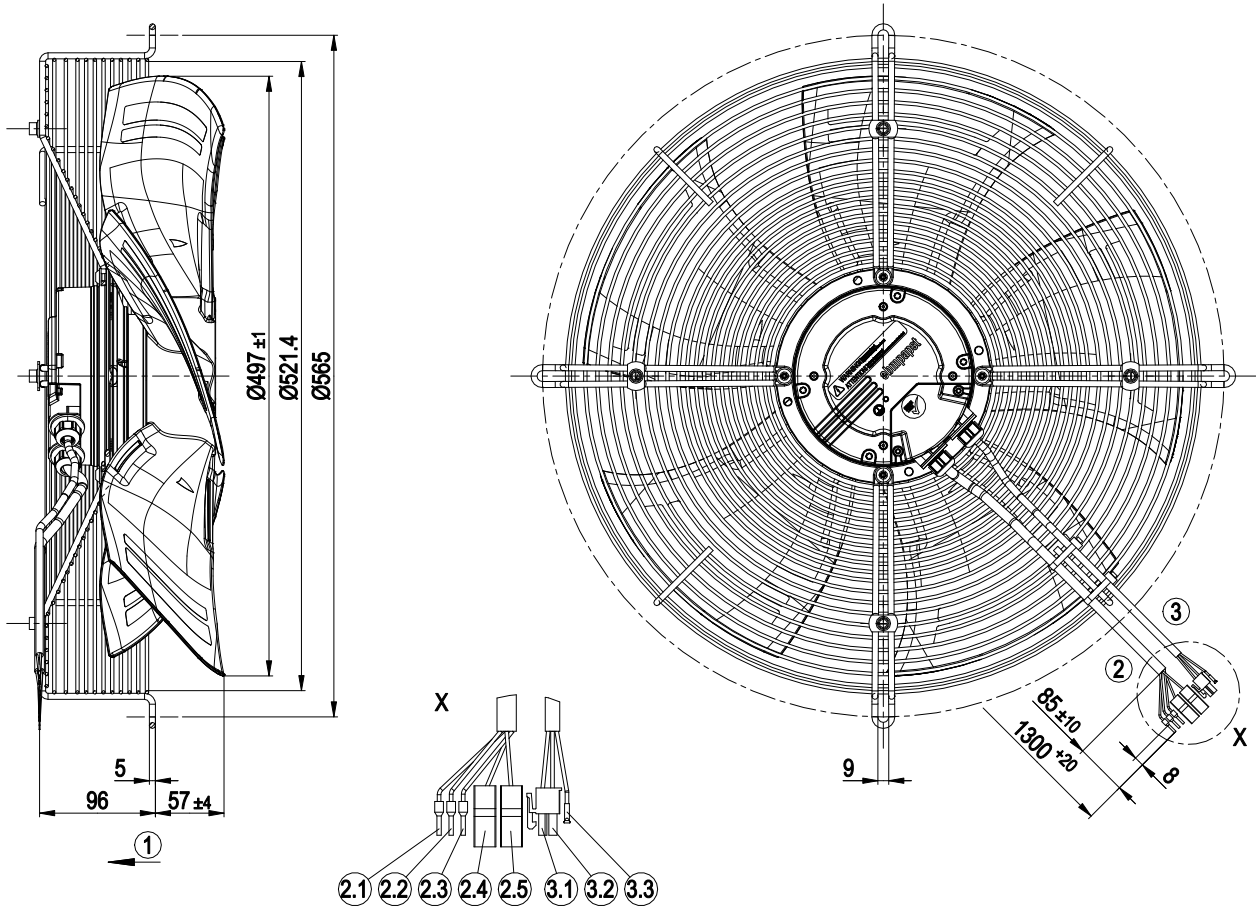
Technical description

Weight	6.9 kg
Size	500 mm
Motor size	84
Rotor surface	Painted black
Electronics housing material	Die-cast aluminum
Blade material	Press-fitted sheet steel blank, sprayed with PP plastic
Guard grille material	Steel, coated with black plastic (RAL 9005)
Number of blades	5
Airflow direction	V
Direction of rotation	Counterclockwise, viewed toward rotor
Degree of protection	IP54
Insulation class	"B"
Moisture (F) / Environmental (H) protection class	F3-1
Max. permitted ambient temp. for motor (transport/storage)	+ 80 °C
Min. permitted ambient temp. for motor (transport/storage)	- 40 °C
Installation position	Shaft horizontal or rotor on bottom; rotor on top on request
Condensation drainage holes	On rotor side
Mode	S1
Motor mounting	Ball bearing
Technical features	<ul style="list-style-type: none"> - Output 10 VDC, max. 10 mA - Tach output - Alarm relay - Motor current limitation - PFC, passive - Soft start - Control input 0-10 VDC / PWM - Control interface with SELV potential safely disconnected from the mains - Thermal overload protection for electronics/motor
EMC immunity to interference	According to EN 61000-6-2 (industrial environment)
EMC circuit feedback	According to EN 61000-3-2/3
EMC interference emission	According to EN 61000-6-3 (household environment)
Touch current according to IEC 60990 (measuring circuit Fig. 4, TN system)	<= 3.5 mA
Electrical hookup	Plug
Motor protection	Thermal overload protector (TOP) internally connected
With cable	Variable
Protection class	I (with customer connection of protective earth)
Conformity with standards	EN 61800-5-1; CE

EC axial fan

sickle-shaped blades (S series)
with guard grille for short nozzle

Product drawing



1	Airflow direction "V"
2	Cable PVC AWG18, 3x wire-end ferrule, 2x flat push-on receptacle 6.3x0.8 with insulating sleeve (neutral) AMP 280232-8 crimped
2.1	NC (white 2)
2.2	COM (white 1)
2.3	PE (green/yellow)
2.4	N (blue)
2.5	L (black)
3	Cable PVC AWG22, 2-pole connector housing (neutral) Molex 39-01-2020, 2x socket Molex 39-00-0059, 1x wire-end ferrule with heat shrink tube, insulated
3.1	GND (blue)
3.2	0-10 V PWM (yellow)
3.3	10 VDC (red)

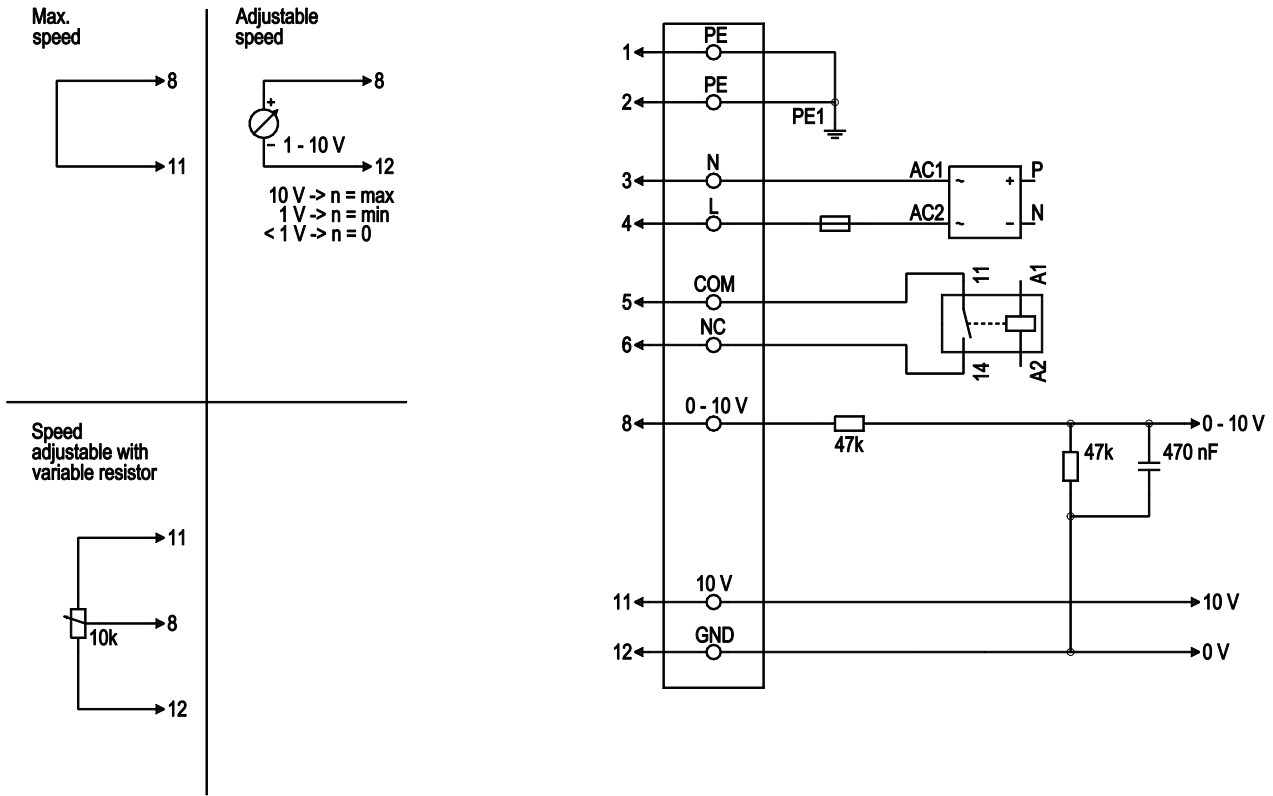


EC axial fan

sickle-shaped blades (S series)
with guard grille for short nozzle

Connection diagram

Customer circuit



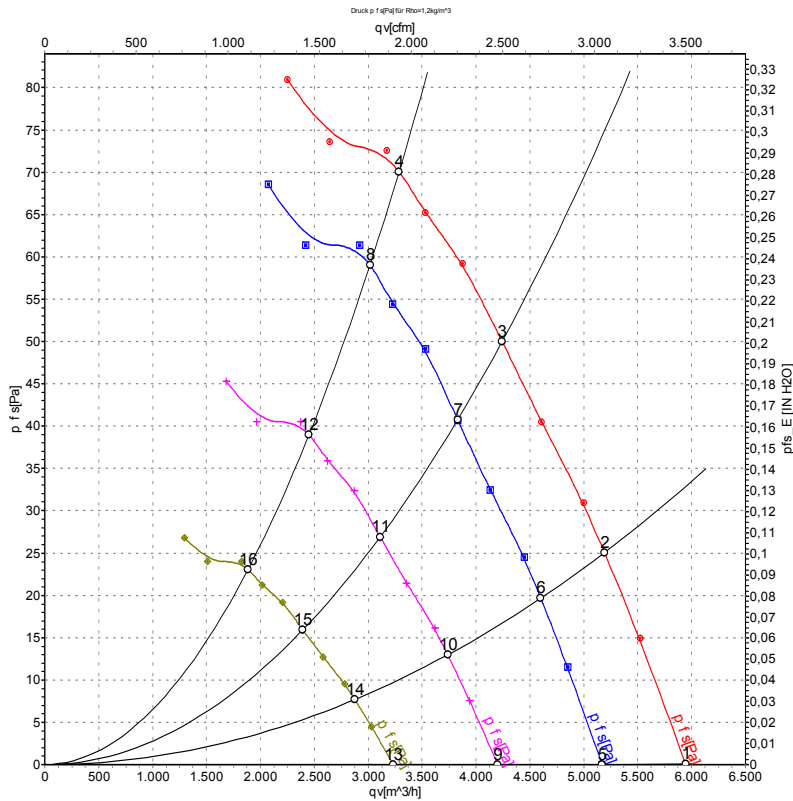
No.	Conn.	Designation	Color	Function/assignment
1	1,2	PE	green/yellow	Protective earth
1	3	N	blue	Power supply, neutral conductor, 50/60 Hz
1	4	L	black	Power supply, phase, 50/60 Hz
1	5	COM	white 1	Floating status contact, break for failure (2 A, max. 250 VAC, min. 10 mA, AC1)
1	6	NC	white 2	Floating status contact, break for failure
2	8	0 - 10 V	yellow	Control input, set value 0-10 VDC, impedance 100 kOhm, SELV
2	11	10 VDC	red	Voltage output 10 VDC (±3%), max. 10 mA, power supply for external devices (e.g. potentiometers), SELV
2	12	GND	blue	Reference ground for control interface, SELV



EC axial fan

sickle-shaped blades (S series)
with guard grille for short nozzle

Curves: Air performance 50 Hz



Measurement: LU-118060-1

Air performance measured according to ISO 5801 installation category A. For detailed information on the measurement setup, contact ebm-papst. Intake sound level: Sound power level according to ISO 13347 / sound pressure level measured at 1 m distance from fan axis. The values given are valid under the specified measuring conditions and may vary due to conditions of installation. For deviations from the standard configuration, the parameters have to be checked on the installed unit.

Measured values

	U	f	n	P _{ed}	I	LpA _{in}	LwA _{in}	LwA _{out}	q _v	P _{fs}	q _v	P _{fs}
	V	Hz	min ⁻¹	W	A	dB(A)	dB(A)	dB(A)	m ³ /h	Pa	cfm	in. wg
1	230	50	920	152	0.97	61	68	67	5945	0	3500	0.00
2	230	50	905	166	1.05	57	64	63	5190	25	3055	0.10
3	230	50	885	175	1.10	53	60	60	4240	50	2495	0.20
4	230	50	870	180	1.20	54	61	61	3285	70	1935	0.28
5	230	50	800	100	0.64	58	65	64	5170	0	3040	0.00
6	230	50	800	115	0.73	54	61	60	4600	20	2705	0.08
7	230	50	800	129	0.82	51	58	57	3830	41	2255	0.16
8	230	50	800	143	0.90	52	60	59	3015	59	1775	0.24
9	230	50	650	54	0.34	53	60	59	4200	0	2470	0.00
10	230	50	650	62	0.39	50	57	56	3740	13	2200	0.05
11	230	50	650	69	0.44	47	53	53	3110	27	1830	0.11
12	230	50	650	77	0.48	48	55	55	2450	39	1445	0.16
13	230	50	500	24	0.16	48	54	54	3230	0	1900	0.00
14	230	50	500	28	0.18	44	51	50	2875	8	1690	0.03
15	230	50	500	31	0.20	41	48	47	2395	16	1410	0.06
16	230	50	500	35	0.22	42	49	49	1885	23	1110	0.09

U = Power supply · f = Frequency · n = Speed (rpm) · P_{ed} = Power consumption · I = Current draw · LpA_{in} = Sound pressure level intake side · LwA_{in} = Sound power level intake side
LwA_{out} = Sound power level outlet side · q_v = Air flow · P_{fs} = Pressure increase

