

with guard grille

S3G450-ZR75-01 ebmpapst Datasheet  
 sales@fansco.com  
 www.fansco.com

Limited partnership · Headquarters Mulfingen  
 Amtsgericht (court of registration) Stuttgart · HRA 590344  
 General partner Elektrobau Mulfingen GmbH · Headquarters Mulfingen  
 Amtsgericht (court of registration) Stuttgart · HRB 590142

## Nominal data

Type	S3G450-ZR75-01	
Motor	M3G112-EA	
Phase		3~
Nominal voltage	VAC	400
Nominal voltage range	VAC	380 .. 480
Frequency	Hz	50/60
Method of obtaining data		ml
Speed (rpm)	min <sup>-1</sup>	1910
Power consumption	W	1220
Current draw	A	1.9
Max. back pressure	Pa	400
Max. back pressure	in. wg	1.61
Min. ambient temperature	°C	-40
Max. ambient temperature	°C	60

ml = Max. load · me = Max. efficiency · fa = Free air · cs = Customer specification · ce = Customer equipment  
 Subject to change

## Data according to Commission Regulation (EU) 327/2011 (EN 17166)

		Actual	Req. 2015			
01 Overall efficiency $\eta_{es}$	%	49.3	33.9	09 Power consumption $P_{ed}$	kW	1.1
02 Measurement category		A		09 Air flow $q_v$	m <sup>3</sup> /h	6260
03 Efficiency category		Static		09 Pressure increase $p_{fs}$	Pa	305
04 Efficiency grade N		55.4	40	10 Speed (rpm) n	min <sup>-1</sup>	1910
05 Variable speed drive		Yes		11 Specific ratio*		1.00

Data obtained at optimum efficiency level.  
 The ErP data is determined using a motor-impeller combination in a standardized measurement setup.

\* Specific ratio =  $1 + p_s / 100\,000\text{ Pa}$

LU-204773



with guard grille

### Technical description

Size	450 mm
Motor size	112
Rotor surface	Painted black
Terminal box material	PP plastic
Electronics housing material	Die-cast aluminum, painted black
Impeller material	PP plastic, galvanized sheet-metal plate
Guard grille material	Steel, coated with black plastic (RAL 9005)
Number of blades	5
Airflow direction	V
Direction of rotation	Clockwise, viewed toward rotor
Degree of protection	IP55
Insulation class	"F"
Moisture (F) / Environmental (H) protection class	H2
Ambient temperature note	Occasional start-up at temperatures between -40°C and -25°C is permitted. For continuous operation at ambient temperatures below -25°C (such as refrigeration applications), use must be made of a fan design with special low-temperature bearings.
Max. permitted ambient temp. for motor (transport/storage)	+80 °C
Min. permitted ambient temp. for motor (transport/storage)	-40 °C
Installation position	Shaft horizontal or rotor on bottom; rotor on top on request
Condensation drainage holes	On rotor side
Mode	S1
Motor bearing	Ball bearing; (sealed)
Technical features	<ul style="list-style-type: none"> <li>- Output 10 VDC, max. 10 mA</li> <li>- Operation and alarm display</li> <li>- External 24 V input (parameter setting)</li> <li>- Alarm relay</li> <li>- Integrated PID controller</li> <li>- Motor current limitation</li> <li>- PFC, passive</li> <li>- RS-485 MODBUS-RTU</li> <li>- Soft start</li> <li>- EEPROM write cycles: 100,000 maximum</li> <li>- Control input 0-10 VDC / PWM</li> <li>- Control interface with SELV potential safely disconnected from the mains</li> <li>- Thermal overload protection for electronics/motor</li> <li>- Line undervoltage / phase failure detection</li> </ul>
EMC immunity to interference	According to EN 61000-6-2 (industrial environment)
EMC interference emission	According to EN 61000-6-3 (household environment), except EN 61000-3-2 for professionally used equipment with a total rated power greater than 1 kW
Touch current according to IEC 60990 (measuring circuit Fig. 4, TN system)	<= 3.5 mA
Electrical hookup	Terminal box
Motor protection	Thermal overload protector (TOP) internally connected
Protection class	I (with customer connection of protective earth)
Conformity with standards	EN 61800-5-1; CE



S3G450-ZR75-01

# EC axial fan - AxiEco

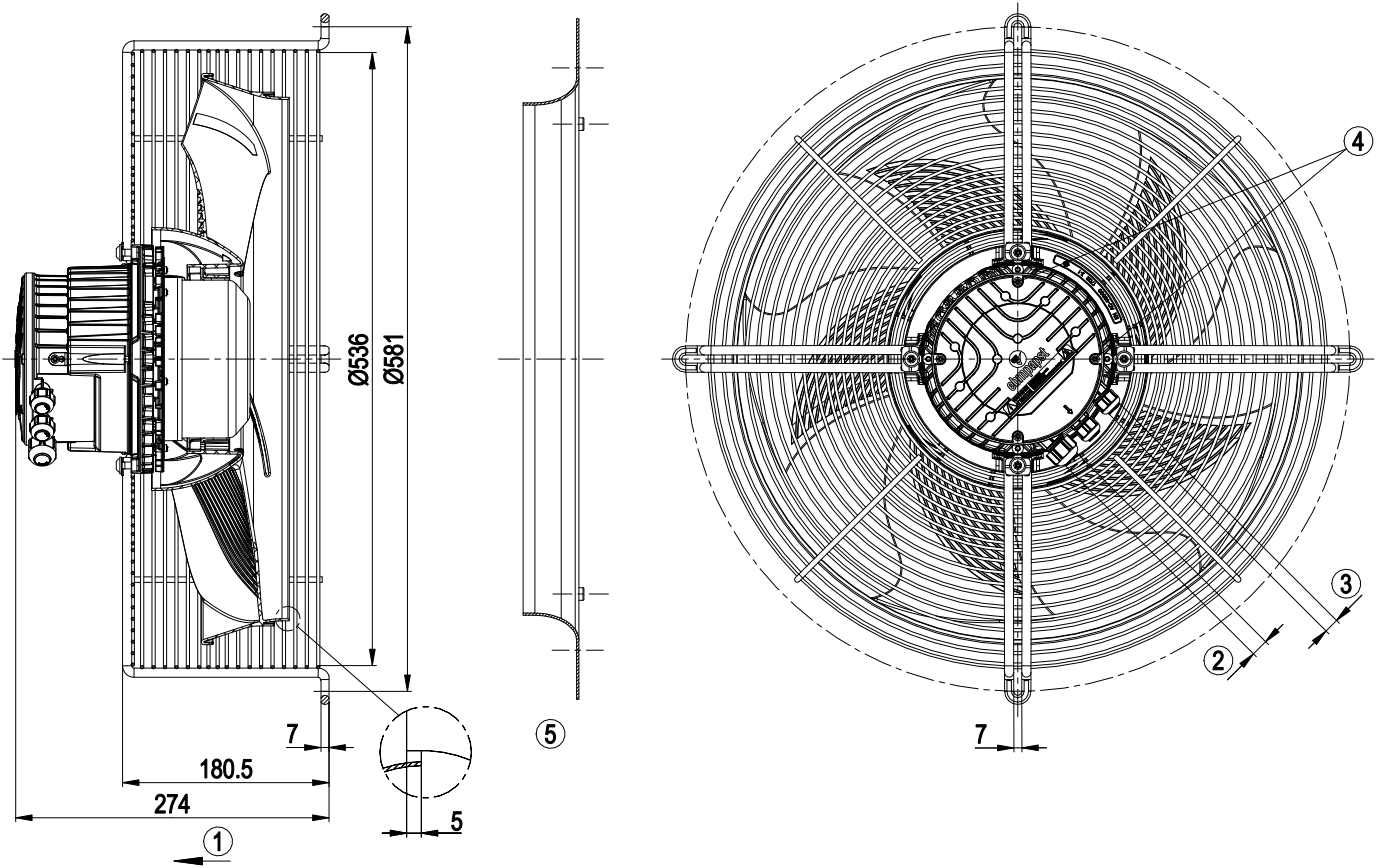
with guard grille

<b>Approval</b>	CSA C22.2 No. 77 + CAN/CSA-E60730-1; UL 1004-7 + 60730-1; EAC
<b>Comment</b>	Conformity with standard EN 60335-1 on request



with guard grille

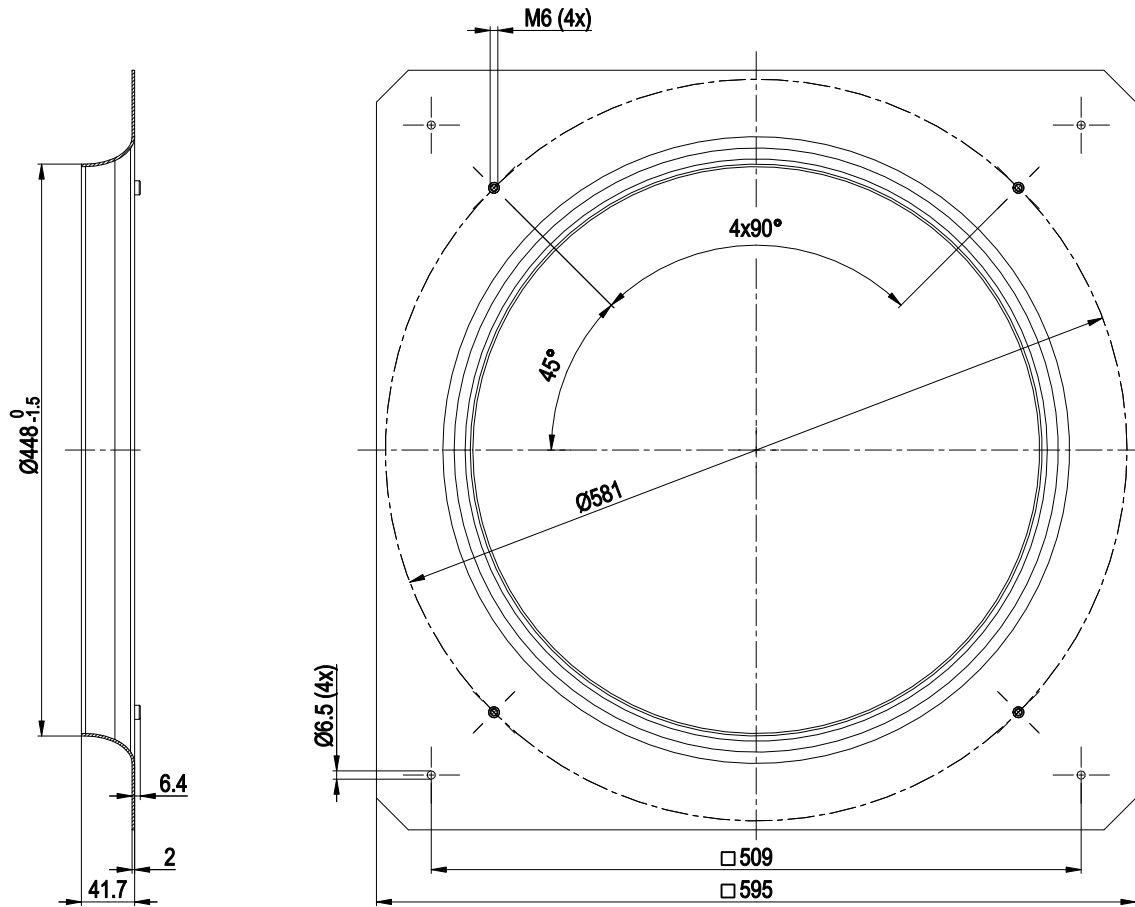
## Product drawing



1	Airflow direction "V"
2	Cable diameter min. 8 mm, max. 12 mm, tightening torque $1.8 \pm 0.3$ Nm (use must be made of seal provided) Cable diameter min. 4 mm, max. 10 mm, tightening torque $1.8 \pm 0.3$ Nm
3	Cable diameter min. 6 mm, max. 10 mm, tightening torque $1.8 \pm 0.3$ Nm (use must be made of seal provided) Cable diameter min. 4 mm, max. 7 mm, tightening torque $1.8 \pm 0.3$ Nm
4	Tightening torque $1.5 \pm 0.2$ Nm
5	Accessory part: Inlet ring 45100-2-4013 not included in scope of delivery

with guard grille

Accessory part

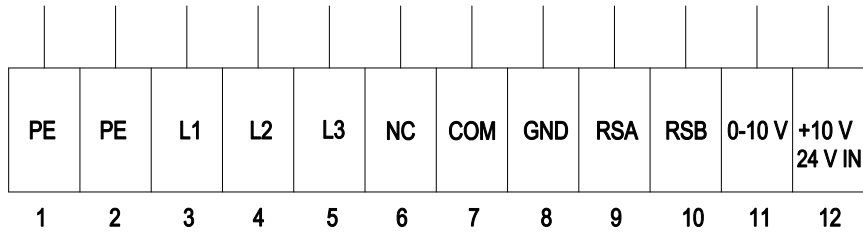


Inlet ring 45100-2-4013



with guard grille

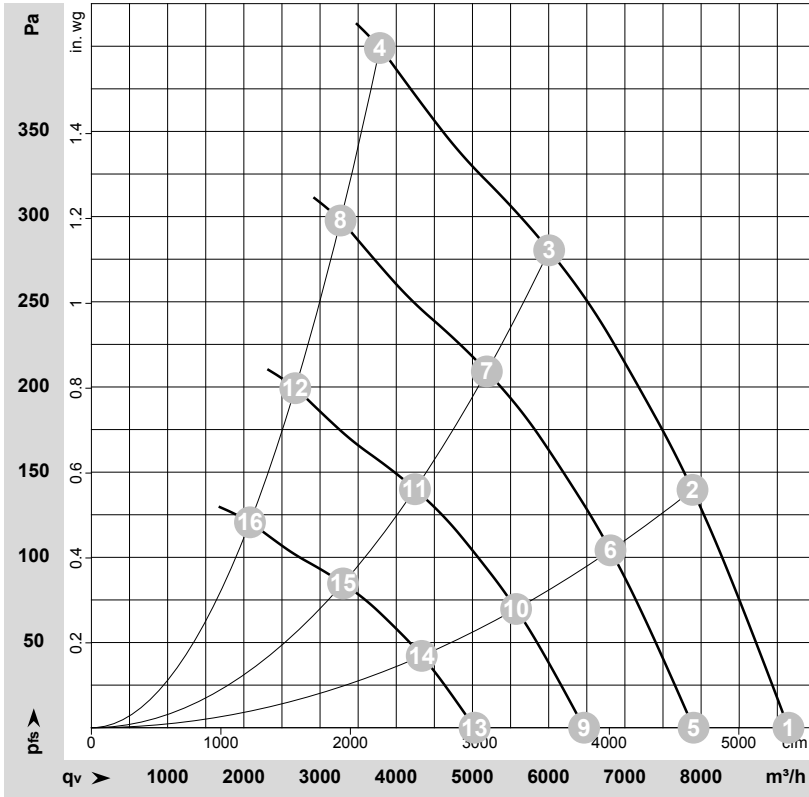
## Connection diagram



No.	Conn.	Designation	Function/assignment
1	PE	PE	Protective earth
2	PE	PE	Protective earth
3	L1	L1	Power supply
4	L2	L2	Power supply
5	L3	L3	Power supply
6	NC	NC	Status relay, floating status contact, break for failure, contact rating 250 VAC / 2 A (AC1) / min. 10 mA; reinforced insulation on supply side and basic insulation on control interface side
7	COM	COM	Status relay, floating status contact, break for failure, contact rating 250 VAC / 2 A (AC1) / min. 10 mA; reinforced insulation on supply side and basic insulation on control interface side
8	GND	GND	Reference ground for control interface, SELV
9	RSA	RSA	RS485 interface for MODBUS, RSA; SELV
10	RSB	RSB	RS485 interface for MODBUS, RSB; SELV
11	0-10 V	0-10 V	Analog input (set value) SELV, 0-10 V, Ri = 100 kΩ, adjustable curve
12	+10 V	+10 V	Fixed voltage output 10 VDC, SELV, +10 V ±3%, max. 10 mA, short-circuit-proof, power supply for external devices (e.g. pot); fixed voltage input 24 VDC for setting parameters via MODBUS without line voltage supply

with guard grille

## Curves: Air performance 50 Hz



$\rho = 1.15 \text{ kg/m}^3 \pm 2 \%$

Measurement: LU-204221-1

Air performance measured according to ISO 5801 installation category A. For detailed information on the measurement setup, contact ebmpapst. Intake sound level: Sound power level according to ISO 13347 / sound pressure level measured at 1 m distance from fan axis. The values given are valid under the specified measuring conditions and may vary due to conditions of installation. For deviations from the standard configuration, the parameters have to be checked on the installed unit.

## Measured values

	Wired	U	f	n	P <sub>ed</sub>	I	LpA <sub>in</sub>	LwA <sub>in</sub>	LwA <sub>out</sub>	q <sub>v</sub>	p <sub>fs</sub>	q <sub>v</sub>	p <sub>fs</sub>
		V	Hz	min <sup>-1</sup>	W	A	dB(A)	dB(A)	dB(A)	m <sup>3</sup> /h	Pa	cfm	in. wg
1	3~	400	50	1910	849	1.32	74	81	86	9145	0	5385	0.00
2	3~	400	50	1910	1011	1.56	70	77	82	7885	140	4640	0.56
3	3~	400	50	1910	1125	1.73	69	76	82	6005	280	3535	1.12
4	3~	400	50	1910	1220	1.90	76	83	88	3785	400	2230	1.61
5	3~	400	50	1650	547	0.85	70	77	82	7900	0	4650	0.00
6	3~	400	50	1650	651	1.01	67	74	79	6810	105	4010	0.42
7	3~	400	50	1650	725	1.12	66	73	78	5190	210	3055	0.84
8	3~	400	50	1650	789	1.21	72	79	84	3270	298	1925	1.20
9	3~	400	50	1350	300	0.47	65	72	77	6465	0	3805	0.00
10	3~	400	50	1350	357	0.55	62	69	74	5570	70	3280	0.28
11	3~	400	50	1350	397	0.61	61	68	73	4245	140	2500	0.56
12	3~	400	50	1350	432	0.66	67	74	79	2675	200	1575	0.80
13	3~	400	50	1050	141	0.22	59	66	71	5030	0	2960	0.00
14	3~	400	50	1050	168	0.26	55	62	67	4335	42	2550	0.17
15	3~	400	50	1050	187	0.29	54	61	67	3300	85	1945	0.34
16	3~	400	50	1050	203	0.31	61	68	73	2080	121	1225	0.49

Wired = Wiring · U = Voltage · f = Frequency · n = Speed (rpm) · P<sub>ed</sub> = Power consumption · I = Current draw · LpA<sub>in</sub> = Sound pressure level intake side · LwA<sub>in</sub> = Sound power level intake side  
 LwA<sub>out</sub> = Sound power level outlet side · q<sub>v</sub> = Air flow · p<sub>fs</sub> = Pressure increase

