

# EC axial panel fan - HyBlade

sickle-shaped blades (S series)

with guard grille for short nozzle

S3G350-AG03-51 ebmpapst Datasheet

sales@fansco.com

www.fansco.com

## Nominal data

Type	S3G350-AG03-51	
Motor	M3G055-DF	
Phase		1~
Nominal voltage	VAC	230
Nominal voltage range	VAC	200 .. 240
Frequency	Hz	50/60
Method of obtaining data		ml
Speed (rpm)	min <sup>-1</sup>	1040
Power consumption	W	73
Current draw	A	0.65
Max. back pressure	Pa	55
Max. back pressure	in. wg	0.22
Min. ambient temperature	°C	-25
Max. ambient temperature	°C	60

ml = Max. load · me = Max. efficiency · fa = Free air · cs = Customer specification · ce = Customer equipment  
Subject to change

### Technical description

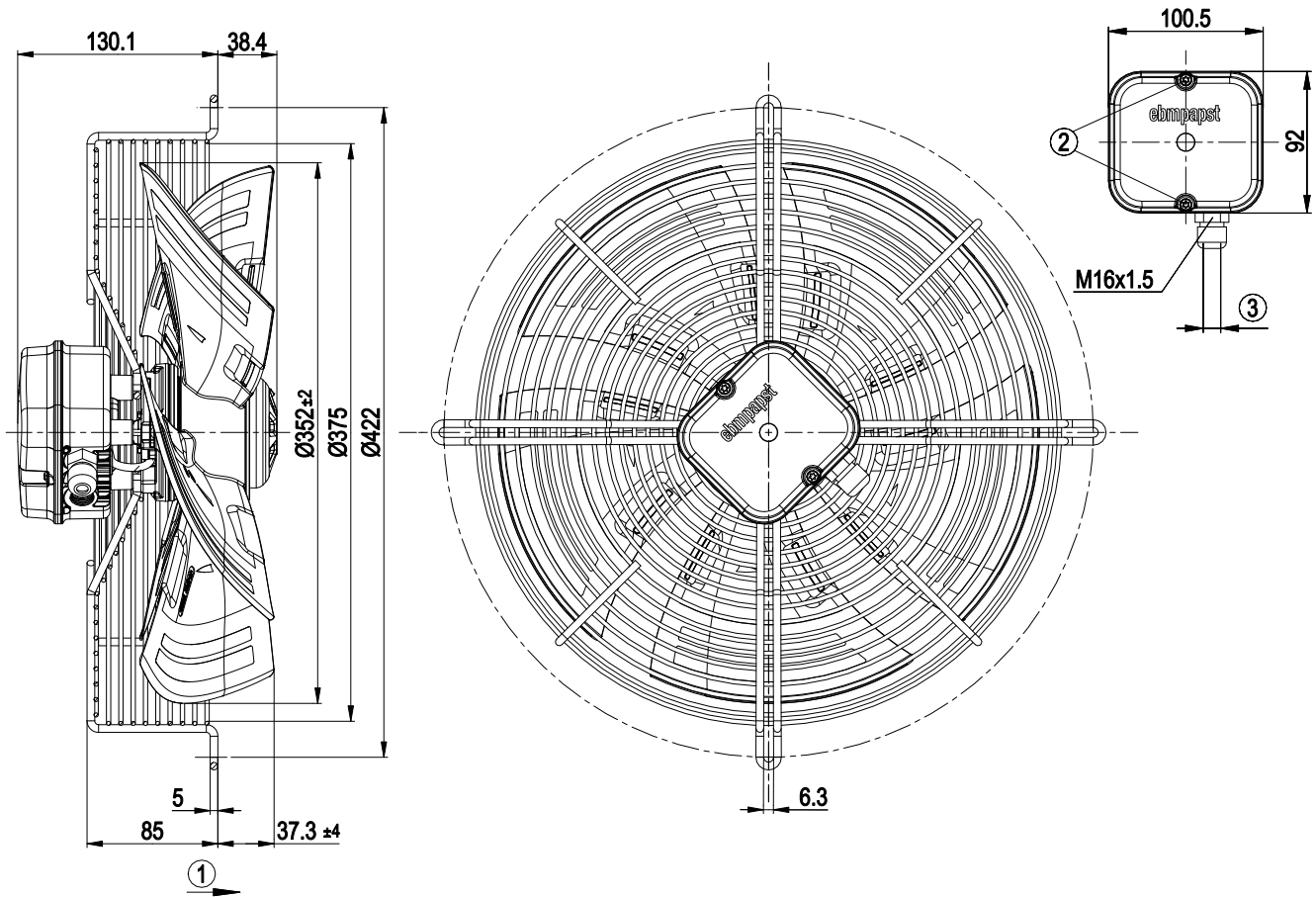
Weight	3.3 kg
Size	350 mm
Motor size	55
Rotor surface	Thick-film passivated
Terminal box material	PP plastic
Blade material	Press-fitted sheet steel blank, sprayed with PP plastic
Guard grille material	Steel, coated with black plastic (RAL 9005)
Number of blades	5
Airflow direction	A
Direction of rotation	Clockwise, viewed toward rotor
Degree of protection	IP54
Insulation class	"B"
Moisture (F) / Environmental (H) protection class	H1
Max. permitted ambient temp. for motor (transport/storage)	+80 °C
Min. permitted ambient temp. for motor (transport/storage)	-40 °C
Installation position	Any
Condensation drainage holes	None, open rotor
Mode	S1
Motor bearing	Ball bearing
Technical features	<ul style="list-style-type: none"> <li>- Speed setting input (230 V)</li> <li>- Motor current limitation</li> <li>- Soft start</li> <li>- Thermal overload protection for electronics/motor</li> </ul>
Speed levels	2
EMC immunity to interference	According to EN 61000-6-2 (industrial environment)
EMC circuit feedback	According to EN 61000-3-2/3
EMC interference emission	According to EN 61000-6-3 (household environment)
Touch current according to IEC 60990 (measuring circuit Fig. 4, TN system)	<= 3.5 mA
Electrical hookup	Terminal box
Motor protection	Electronic motor protection
With cable	Variable
Protection class assignment	<p>I; If a protective earth is connected.</p> <p>The built-in component has several local protection class assignments.</p> <p>The final protection class is determined by the intended installation.</p>
Conformity with standards	EN 60034-1; EN 60204-1; EN 60335-1; CE
Comment on CE	Ecodesign Directive 2009/125/EC + Fan Directive (EC) No. 327/2011 does not apply, as power consumption <125W.
Approval	CCC

# EC axial panel fan - HyBlade

sickle-shaped blades (S series)

with guard grille for short nozzle

## Product drawing

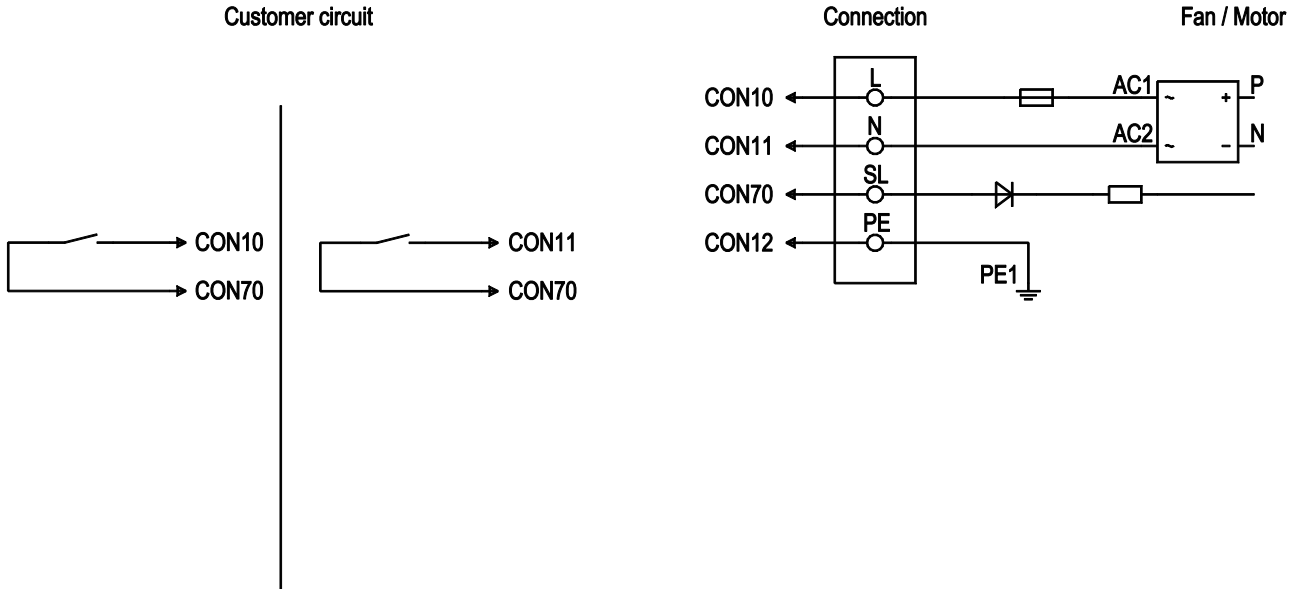


1	Direction of air flow "A"
2	Tightening torque $1.5 \pm 0.2$ Nm
3	Cable diameter max. 7.5 mm; tightening torque $2 \pm 0.3$ Nm

# EC axial panel fan - HyBlade

sickle-shaped blades (S series)  
with guard grille for short nozzle

## Connection diagram

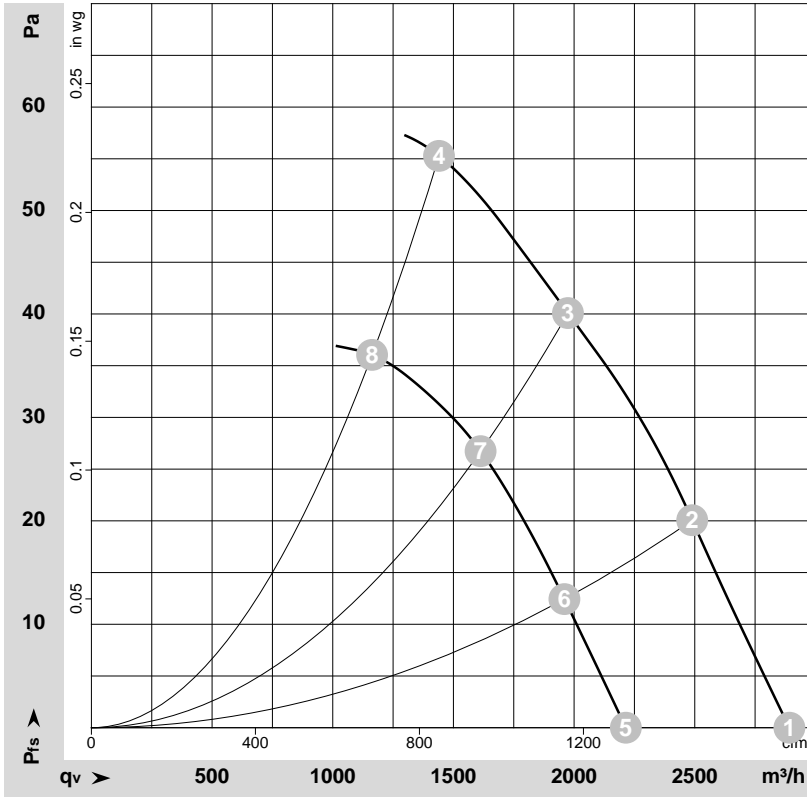


No.	Conn.	Designation	Color	Function/assignment
	CON 10	L	black	Power supply 230 VAC, 50-60 Hz, see nameplate for voltage range
	CON 11	N	blue	Neutral conductor
	CON 12	PE	green/yellow	Protective earth
	CON 70	SL	brown	Speed selection: switch open speed 1 (fast), switch closed speed 2 (slow)

# EC axial panel fan - HyBlade

sickle-shaped blades (S series)  
with guard grille for short nozzle

## Curves: Air performance 50 Hz



$\rho = 1.15 \text{ kg/m}^3 \pm 2 \%$

Measurement: LU-165180-1  
Date: 2026-07-06  
Housing: 18900-2-4037

Measurement: LU-132717-1  
Date: 2026-07-06  
Housing: 18900-2-4037

Air performance measured according to ISO 5801 installation category A. For detailed information on the measurement setup, contact ebm-papst. Intake sound level: Sound power level according to ISO 13347 / sound pressure level measured at 1 m distance from fan axis. The values given are valid under the specified measuring conditions and may vary due to conditions of installation. For deviations from the standard configuration, the parameters have to be checked on the installed unit.

## Measured values

	Stage	U	f	n	P <sub>ed</sub>	I	LpA <sub>in</sub>	LwA <sub>in</sub>	q <sub>v</sub>	P <sub>fs</sub>	q <sub>v</sub>	P <sub>fs</sub>
		V	Hz	min <sup>-1</sup>	W	A	dB(A)	dB(A)	m <sup>3</sup> /h	Pa	cfm	in. wg
1	2	230	50	1210	73	0.65	59	65	2890	0	1700	0.00
2	2	230	50	1150	73	0.65	55	62	2490	20	1465	0.08
3	2	230	50	1095	73	0.65	52	59	1975	40	1160	0.16
4	2	230	50	1040	73	0.65	49	56	1440	55	850	0.22
5	1	230	50	915	34	0.33	52	59	2215	0	1305	0.00
6	1	230	50	895	37	0.35	50	56	1960	12	1155	0.05
7	1	230	50	875	40	0.38	47	54	1615	27	950	0.11
8	1	230	50	855	42	0.40	44	52	1165	36	685	0.14

U = Voltage · f = Frequency · n = Speed (rpm) · P<sub>ed</sub> = Power consumption · I = Current draw · LpA<sub>in</sub> = Sound pressure level intake side · LwA<sub>in</sub> = Sound power level intake side  
q<sub>v</sub> = Air flow · P<sub>fs</sub> = Pressure increase