

S2E250-BE65-23

# AC axial fan

straight blades (A series), single-intake  
with guard grille for full nozzle

S2E250-BE65-23 ebmpapst Datasheet FansCo

sales@fansco.com

www.fansco.com

## Nominal data

Type	S2E250-BE65-23		
Motor	M2E068-DF		
Phase		1~	1~
Nominal voltage	VAC	230	230
Frequency	Hz	50	60
Method of obtaining data		ml	ml
Valid for approval/standard		CE	CE
Speed (rpm)	min <sup>-1</sup>	2300	2500
Power consumption	W	130	160
Current draw	A	0.57	0.7
Capacitor	μF	3.5	3.5
Capacitor voltage	VDB	400	400
Capacitor standard		S0 (CE)	S0 (CE)
Max. back pressure	Pa	150	130
Max. back pressure	in. wg	0.6	0.52
Min. ambient temperature	°C	-25	-25
Max. ambient temperature	°C	55	50
Starting current	A	0.9	0.9

ml = Max. load · me = Max. efficiency · fa = Free air · cs = Customer specification · ce = Customer equipment  
Subject to change

S2E250-BE65-23

# AC axial fan

straight blades (A series), single-intake  
with guard grille for full nozzle

## Technical description

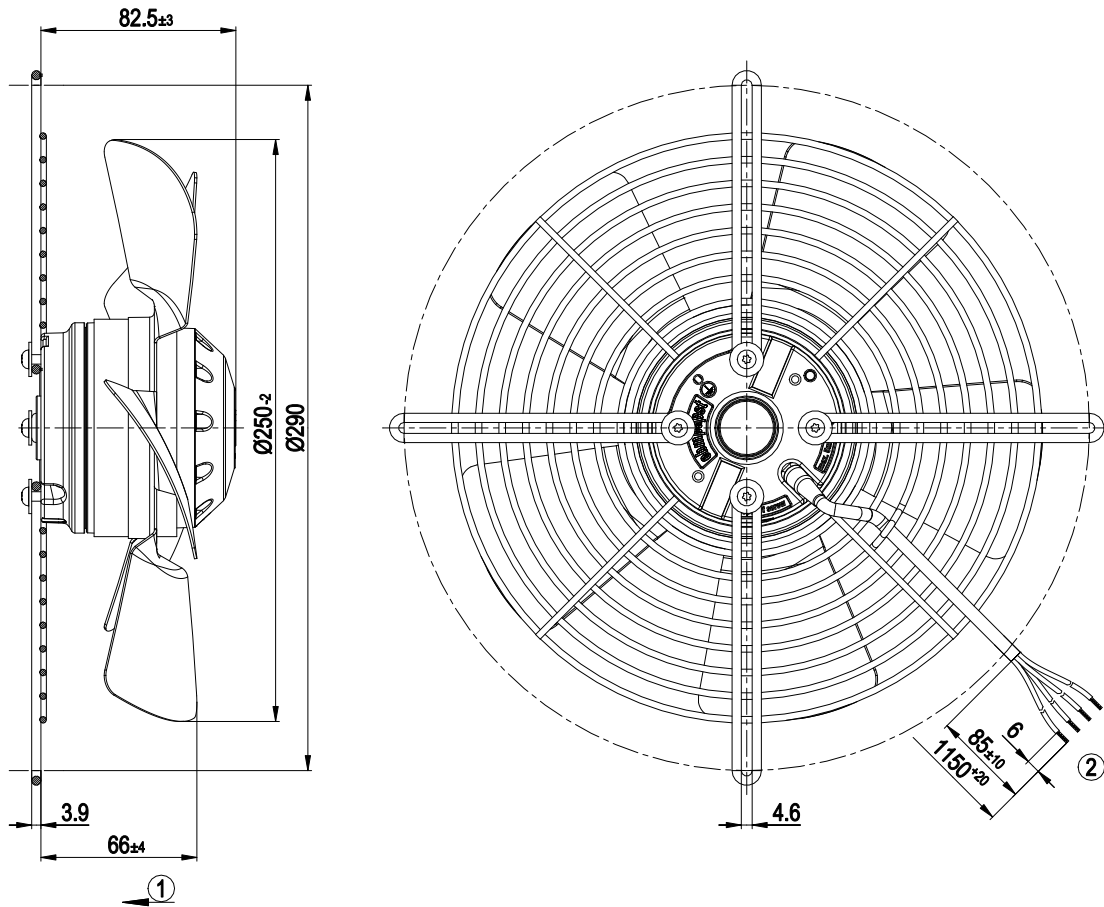
Weight	2.54 kg
Size	250 mm
Motor size	68
Rotor surface	Painted black
Blade material	Sheet steel, painted black
Guard grille material	Steel, coated with black plastic (RAL 9005)
Number of blades	5
Airflow direction	V
Direction of rotation	Counterclockwise, viewed toward rotor
Degree of protection	IP44; installation- and position-dependent as per EN 60034-5
Insulation class	"B"
Moisture (F) / Environmental (H) protection class	H1
Max. permitted ambient temp. for motor (transport/storage)	+ 80 °C
Min. permitted ambient temp. for motor (transport/storage)	- 40 °C
Installation position	Shaft horizontal or rotor on bottom; rotor on top on request
Condensation drainage holes	On rotor side
Mode	S1
Motor bearing	Ball bearing
Touch current according to IEC 60990 (measuring circuit Fig. 4, TN system)	< 0.75 mA
Motor protection	Thermal overload protector (TOP) internally connected
With cable	Variable
Protection class	I (with customer connection of protective earth)
Conformity with standards	EN 60335-1; CE
Approval	CCC

S2E250-BE65-23

# AC axial fan

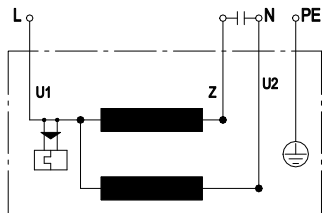
straight blades (A series), single-intake  
with guard grille for full nozzle

## Product drawing



- |   |   |
|---|---|
| 1 | Airflow direction "V"                                 |
| 2 | Cable PVC 4G 0.5 mm <sup>2</sup> , 4x crimped splices |

## Connection diagram

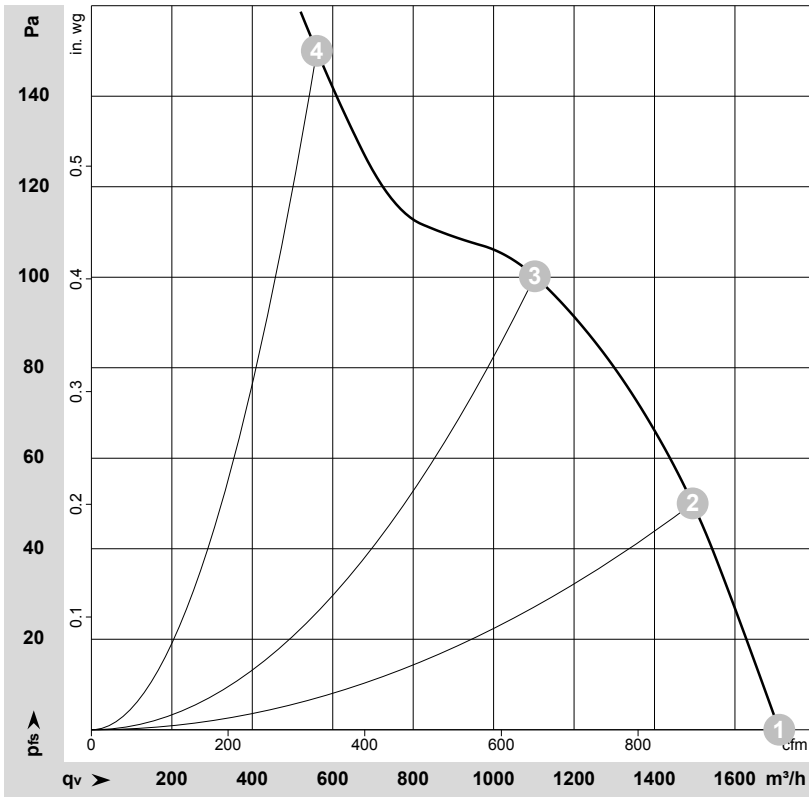


U1	blue	Z	brown	U2	black
PE	green/yellow				

# AC axial fan

straight blades (A series), single-intake  
with guard grille for full nozzle

## Curves: Air performance 50 Hz



$\rho = 1.15 \text{ kg/m}^3 \pm 2 \%$

Measurement: LU-201683-1

Air performance measured according to ISO 5801 installation category A. For detailed information on the measurement setup, contact ebm-papst. Intake sound level: Sound power level according to ISO 13347 / sound pressure level measured at 1 m distance from fan axis. The values given are valid under the specified measuring conditions and may vary due to conditions of installation. For deviations from the standard configuration, the parameters have to be checked on the installed unit.

## Measured values

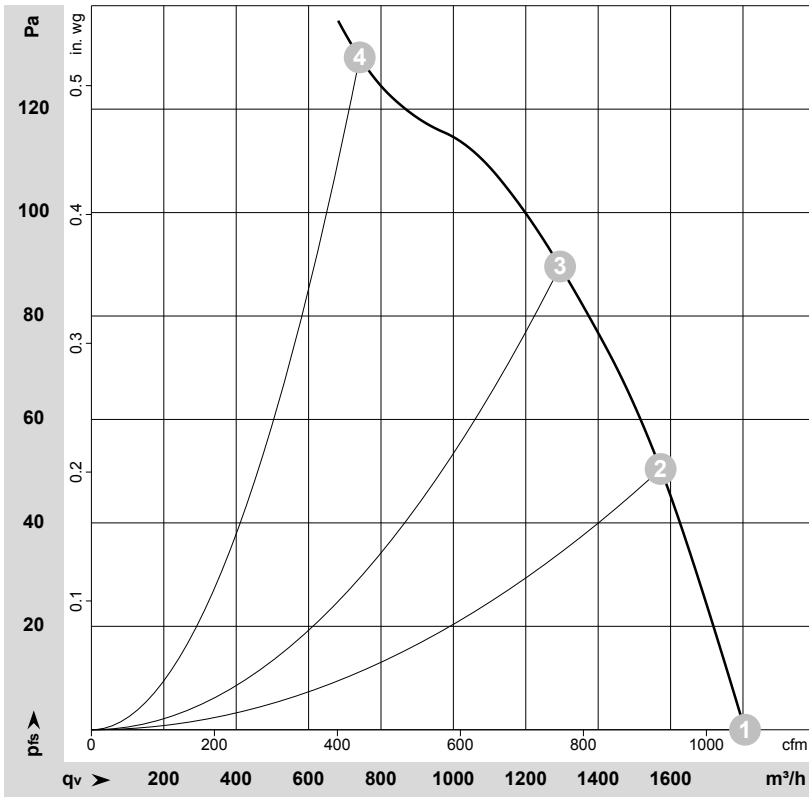
	Wired	U	f	n	P <sub>e</sub>	I	q <sub>v</sub>	p <sub>fs</sub>	q <sub>v</sub>	p <sub>fs</sub>
		V	Hz	min <sup>-1</sup>	W	A	m <sup>3</sup> /h	Pa	cfm	in. wg
1	1~	230	50	2480	113	0.49	1710	0	1005	0.00
2	1~	230	50	2415	119	0.52	1495	50	880	0.20
3	1~	230	50	2385	122	0.53	1100	100	650	0.40
4	1~	230	50	2300	130	0.57	560	150	330	0.60

Wired = Wiring · U = Voltage · f = Frequency · n = Speed (rpm) · P<sub>e</sub> = Power consumption · I = Current draw · q<sub>v</sub> = Air flow · p<sub>fs</sub> = Pressure increase

# AC axial fan

straight blades (A series), single-intake  
with guard grille for full nozzle

## Curves: Air performance 60 Hz



$\rho = 1.15 \text{ kg/m}^3 \pm 2 \%$

Measurement: LU-201688-1

Air performance measured according to ISO 5801 installation category A. For detailed information on the measurement setup, contact ebm-papst. Intake sound level: Sound power level according to ISO 13347 / sound pressure level measured at 1 m distance from fan axis. The values given are valid under the specified measuring conditions and may vary due to conditions of installation. For deviations from the standard configuration, the parameters have to be checked on the installed unit.

## Measured values

	Wired	U	f	n	P <sub>e</sub>	I	q <sub>v</sub>	P <sub>fs</sub>	q <sub>v</sub>	P <sub>fs</sub>
		V	Hz	min <sup>-1</sup>	W	A	m <sup>3</sup> /h	Pa	cfm	in. wg
1	1~	230	60	2625	151	0.66	1805	0	1065	0.00
2	1~	230	60	2520	156	0.68	1575	50	925	0.20
3	1~	230	60	2450	159	0.69	1295	90	760	0.36
4	1~	230	60	2500	160	0.70	740	130	435	0.52

Wired = Wiring · U = Voltage · f = Frequency · n = Speed (rpm) · P<sub>e</sub> = Power consumption · I = Current draw · q<sub>v</sub> = Air flow · P<sub>fs</sub> = Pressure increase