

EC axial fan

sickle-shaped blades (S series)

ESM guard grille

S1G300-FO01-11 ebmpapst Datasheet

sales@fansco.com

www.fansco.com

Nominal data

Type	S1G300-FO01-11		
Motor	M1G055-DF		
Phase		1~	1~
Nominal voltage	VAC	230	230
Nominal voltage range	VAC	200 .. 240	200 .. 240
Frequency	Hz	50/60	50/60
Method of obtaining data		ml	
Status		prelim.	prelim.
Speed (rpm)	min ⁻¹	1250	1000
Power consumption	W	45	
Current draw	A	0.4	
Max. back pressure	Pa	45	
Max. back pressure	in. wg	0.18	
Min. ambient temperature	°C	-40	-40
Max. ambient temperature	°C	40	

ml = Max. load · me = Max. efficiency · fa = Free air · cs = Customer specification · ce = Customer equipment
 Subject to change



EC axial fan

sickle-shaped blades (S series)

ESM guard grille

Technical description

Weight	1.6 kg
Size	300 mm
Motor size	55
Rotor surface	Thick-film passivated
Blade material	Press-fitted sheet steel blank, sprayed with PP plastic
Guard grille material	PP plastic
Number of blades	5
Airflow direction	V
Direction of rotation	Counterclockwise, viewed toward rotor
Degree of protection	IP54
Insulation class	"B"
Moisture (F) / Environmental (H) protection class	H1+
Max. permitted ambient temp. for motor (transport/storage)	+ 70 °C
Min. permitted ambient temp. for motor (transport/storage)	- 40 °C
Installation position	Any
Condensation drainage holes	None, open rotor
Mode	S1
Motor bearing	Ball bearing with low-temperature lubricant
Technical features	<ul style="list-style-type: none"> - Speed selection max./min. - Power limiter - Motor current limitation - Soft start - Thermal overload protection for motor
Speed levels	2
EMC immunity to interference	According to EN 61000-6-2 (industrial environment)
EMC circuit feedback	According to EN 61000-3-2/3
EMC interference emission	According to EN 61000-6-3 (household environment)
Motor protection	Thermal overload protector (TOP) internally connected
With cable	Lateral
Protection class	II
Conformity with standards	CE
Approval	EAC

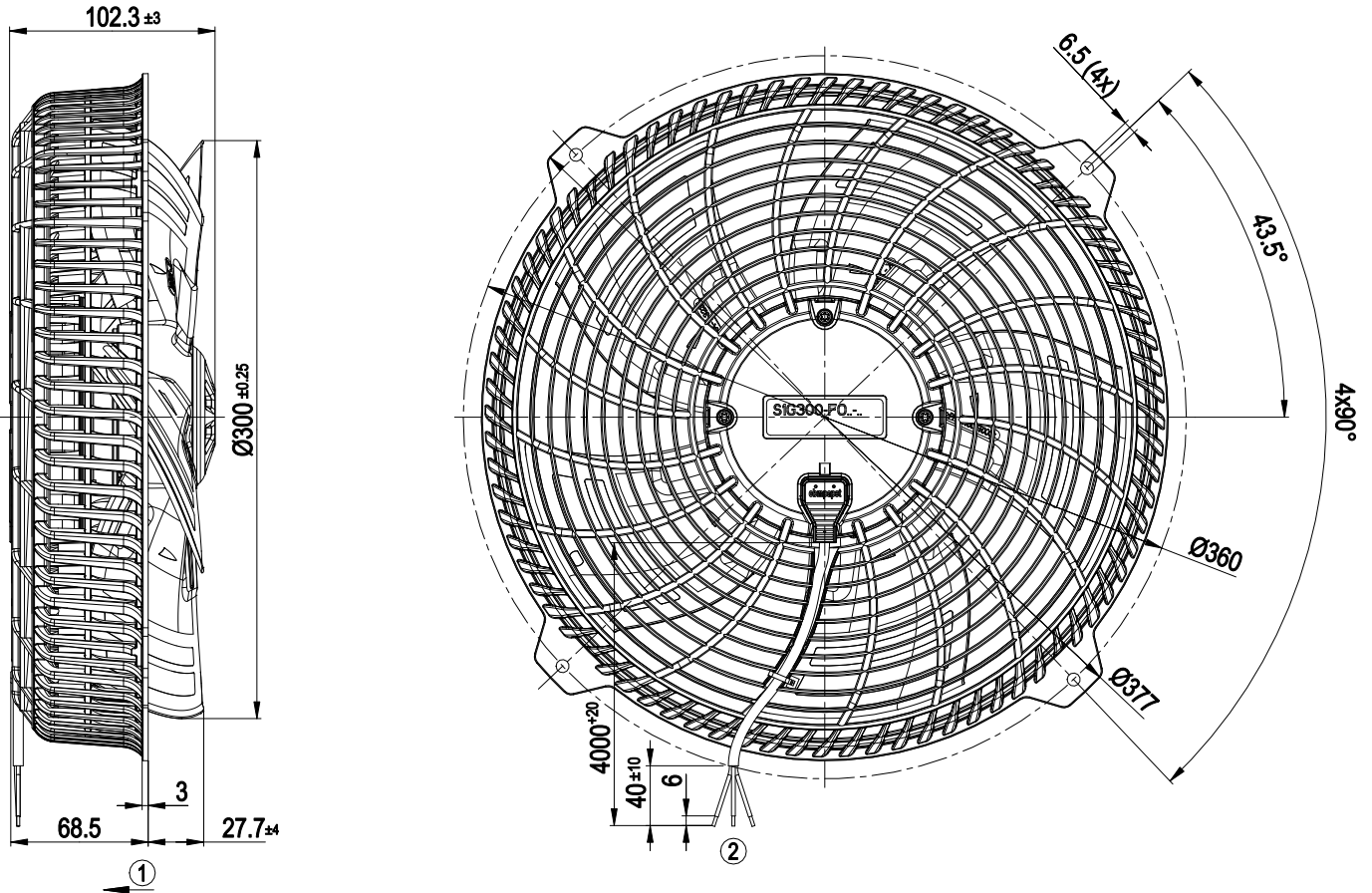


EC axial fan

sickle-shaped blades (S series)

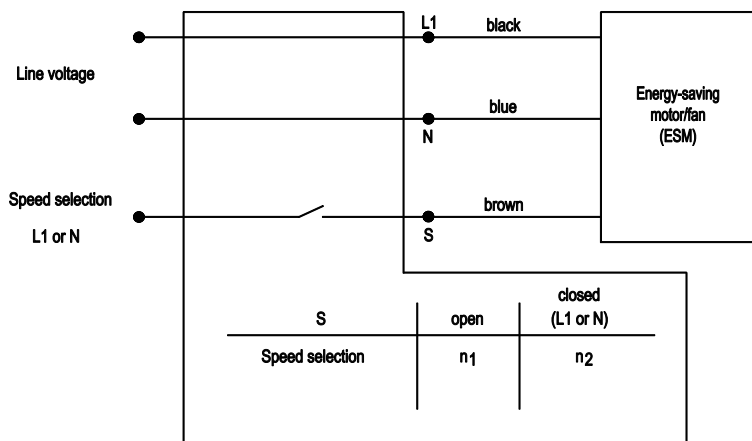
ESM guard grille

Product drawing



- 1 Airflow direction "V"
- 2 Cable PVC AWG20
- 3x splice

Connection diagram

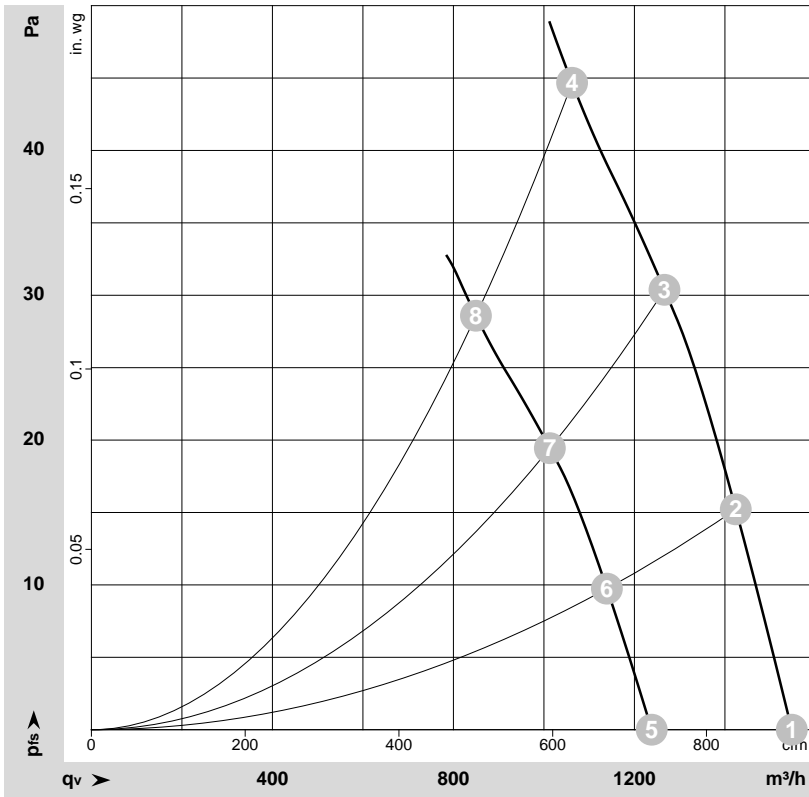


EC axial fan

sickle-shaped blades (S series)

ESM guard grille

Curves: Air performance 50 Hz



$\rho = 1.15 \text{ kg/m}^3 \pm 2 \%$

Measurement: LU-195015-1
Measurement: LU-195016-1

Air performance measured according to ISO 5801 installation category A. For detailed information on the measurement setup, contact ebmpapst. Intake sound level: Sound power level according to ISO 13347 / sound pressure level measured at 1 m distance from fan axis. The values given are valid under the specified measuring conditions and may vary due to conditions of installation. For deviations from the standard configuration, the parameters have to be checked on the installed unit.

Measured values

	Stage	Wired	U	f	n	P _{ed}	I	LpA _{in}	LwA _{in}	q _v	p _{fs}	q _v	p _{fs}
			V	Hz	min ⁻¹	W	A	dB(A)	dB(A)	m ³ /h	Pa	cfm	in. wg
1	2	1~	230	50	1250	34	0.30	53	60	1550	0	910	0.00
2	2	1~	230	50	1250	37	0.33	53	61	1425	15	840	0.06
3	2	1~	230	50	1250	41	0.36	53	61	1265	30	745	0.12
4	2	1~	230	50	1250	45	0.40	58	66	1060	45	625	0.18
5	2	1~	230	50	1000	17	0.16	48	55	1240	0	730	0.00
6	2	1~	230	50	1000	19	0.17	48	55	1140	10	670	0.04
7	2	1~	230	50	1000	21	0.18	47	55	1015	19	595	0.08
8	2	1~	230	50	1000	23	0.20	52	60	850	28	500	0.11

Wired = Wiring · U = Voltage · f = Frequency · n = Speed (rpm) · P_{ed} = Power consumption · I = Current draw · LpA_{in} = Sound pressure level intake side · LwA_{in} = Sound power level intake side
q_v = Air flow · p_{fs} = Pressure increase

