

# EC axial fan

sickled blades (S series)

ESM guard grille

S1G300-CA19-14 ebmpapst Datasheet

sales@fansco.com

www.fansco.com

Limited partnership · Headquarters Muldingen  
County court Stuttgart · HRA 590344

General partner Elektrobau Muldingen GmbH · Headquarters Muldingen  
County court Stuttgart · HRB 590142

## Nominal data

<b>Type</b>	<b>S1G300-CA19-14</b>		
<b>Motor</b>	<b>M1G055-BI</b>		
Phase		1~	1~
Nominal voltage	VAC	230	230
Frequency	Hz		50/60
Type of data definition			ml/cu
Speed	min <sup>-1</sup>	900	1250
Power input	W	-	35
Current draw	A		0.27
Max. back pressure	Pa		40
Min. ambient temperature	°C	-30	-30
Max. ambient temperature	°C	50	50

ml = Max. load · me = Max. efficiency · fa = Running at free air · cs = Customer specs · cu = Customer unit  
Subject to alterations



# EC axial fan

sickled blades (S series)

ESM guard grille

## Technical features

<b>Mass</b>	1.4 kg
<b>Size</b>	300 mm
<b>Material of blades</b>	PA plastic
<b>Material of guard grille</b>	Plastic, epylen GT50
<b>Number of blades</b>	5
<b>Direction of rotation</b>	"A"
<b>Type of protection</b>	IP 54
<b>Insulation class</b>	"B"
<b>Humidity class</b>	F3-1
<b>Max. permissible ambient motor temp. (transp./ storage)</b>	+ 80 °C
<b>Min. permissible ambient motor temp. (transp./storage)</b>	- 40 °C
<b>Mounting position</b>	Any
<b>Condensate discharge holes</b>	None
<b>Operation mode</b>	S1
<b>Motor bearing</b>	Ball bearing
<b>Technical features</b>	<ul style="list-style-type: none"> <li>- Speed selection max/min</li> <li>- Soft start</li> <li>- Over-temperature protected motor</li> </ul>
<b>Speed steps</b>	2
<b>EMC interference immunity</b>	Acc. to EN 61000-6-2 (industrial environment)
<b>EMC harmonics</b>	Acc. to EN 61000-3-2/3
<b>EMC interference emission</b>	Acc. to EN 61000-6-3 (household environment)
<b>Motor protection</b>	Thermal overload protector (TOP) wired internally
<b>Cable exit</b>	Lateral
<b>Protection class</b>	II
<b>Product conforming to standard</b>	CE
<b>Approval</b>	UL 2111; CCC; CSA C22.2 Nr.77

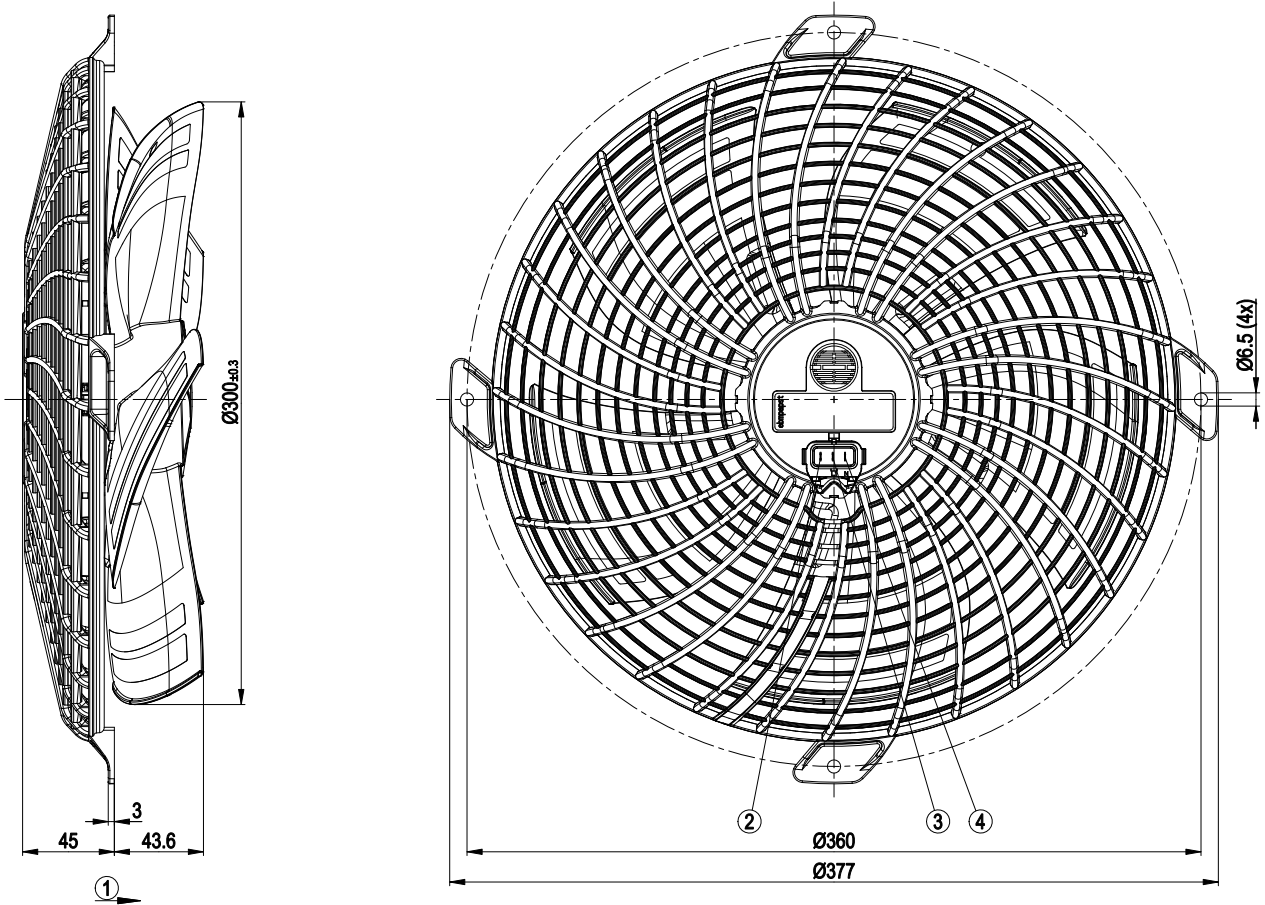


# EC axial fan

sickled blades (S series)

ESM guard grille

## Product drawing



1	Direction of air flow "A"
2	PIN S, speed selection (flat plug 2.8x0.5)
3	PIN L1, phase (flat plug 2.8x0.5)
4	PIN N, neutral conductor (flat plug 2.8x0.5)

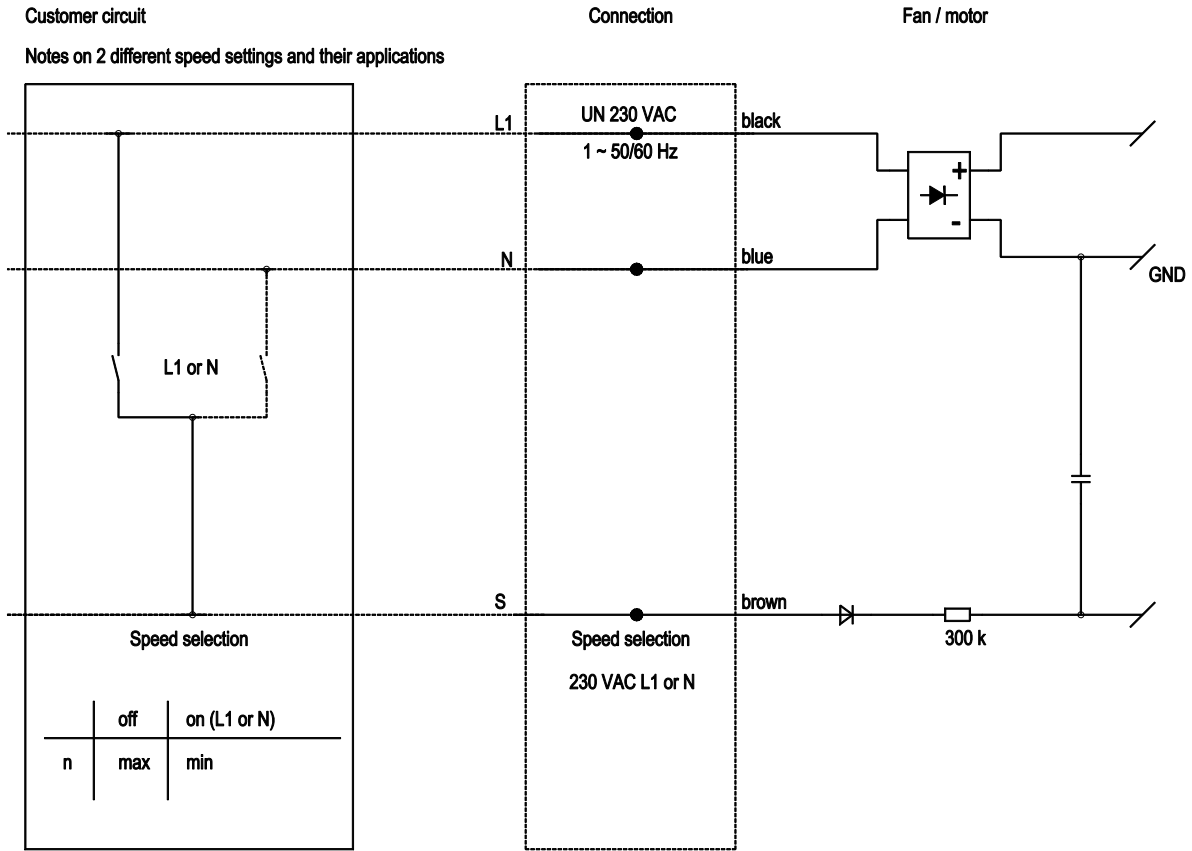


# EC axial fan

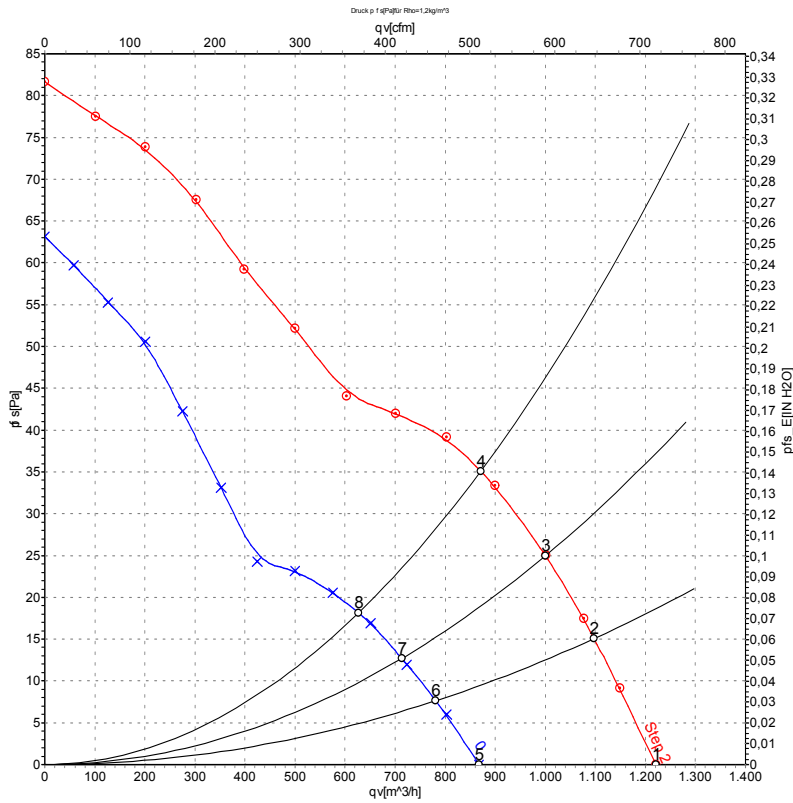
sickled blades (S series)

ESM guard grille

## Connection screen



## Charts: Air flow 50 Hz



Air performance measured as per ISO 5801 Installation category A. For detailed information on the measuring set-up, please contact ebmpapst. Suction-side noise levels: LwA measured as per ISO 13347 / LpA measured with 1m distance to fan axis. The values given are valid under the measuring conditions mentioned above and may vary according to the actual installation situation. With any deviation from the standard set-up, the specific values have to be checked and reviewed with the unit installed.

## Measured values

	Stage	U	f	n	P <sub>ed</sub>	I	qv	p <sub>fs</sub>
		V	Hz	min <sup>-1</sup>	W	A	m <sup>3</sup> /h	Pa
1	2	230	50	1250	27	0.21	1220	0
2	2	230	50	1250	30	0.23	1095	15
3	2	230	50	1250	32	0.24	1000	25
4	2	230	50	1250	35	0.27	870	35
5	1	230	50	900	13	0.12	865	0
6	1	230	50	900	14	0.13	780	8
7	1	230	50	900	16	0.15	715	13
8	1	230	50	900	17	0.16	625	18

U = Supply voltage · f = Frequency · n = Speed · P<sub>ed</sub> = Power input · I = Current draw · qv = Air flow · p<sub>fs</sub> = Pressure increase

