

Product Data Sheet **8315100432**
VCS0045XUGAZ
RVE45-3/34/2P-00432

ebmpapst

engineering a better life

RVE45-3/34/2P-00432 (8315100432) ebmpapst Datasheet FansCo
sales@fansco.com
www.fansco.com



RVE45-3/34/2P-00432

INDEX

1 General 3

2 Mechanics 3

2.1 General 3

2.2 Connections 3

3 Operating Data 5

3.1 Electrical Interface - Input 5

3.2 Electrical Operating Data 6

3.3 Electrical Interface - Output 7

3.4 Electrical Features 8

3.5 Aerodynamics 9

3.6 Sound Data 10

4 Environment 10

4.1 General 10

4.2 Climatic Requirements 10

4.3 EMC 10

5 Safety 12

5.1 Electrical Safety 12

5.2 Approval Tests 12

6 Reliability 12

6.1 General 12

1 General

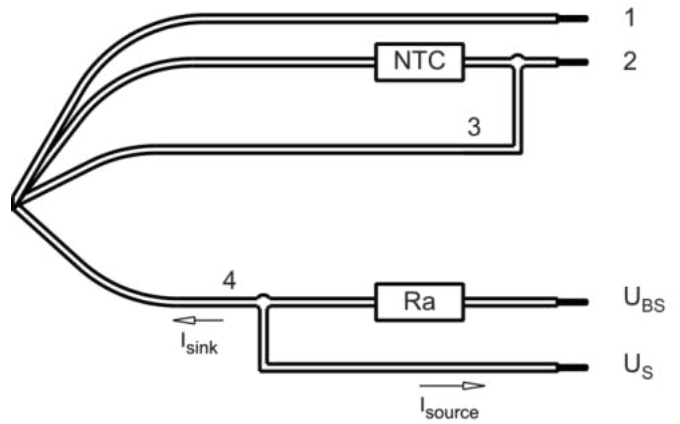
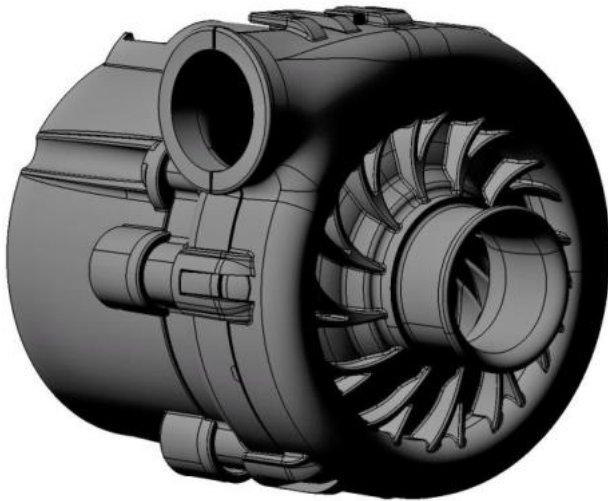
Fan type	Blower	
Rotating direction looking at rotor	Counterclockwise	
Airflow direction	Axial: intake; centrifugal: exhaust	
Bearing system	Ball bearing	
Mounting position - shaft	Any	

2 Mechanics**2.1 General**

Width	65 mm	
Height	65 mm	
Depth	71,4 mm	
Diameter	57 mm	
Mass	0,16 kg	
Housing material	FDA approved plastics for the air-conducting parts (top and bottom housing) and V0 for the motor and electronics cover	
Impeller material	FDA approved plastics	

2.2 Connections

Electrical connection	Wires - Plug	
Lead wire length	L = 200 mm	
Tolerance	+/- 10 mm	
Wire size (AWG)	22	
Insulation diameter	1,7 mm	
Plug	See drawing	
Contact	See drawing	



Wire	Color	Operation	Plug connection	Wire size	Insulation diameter
1	red	+ UB	Pin 1	AWG 22	1,7 mm
2	blue	- GND	Pin 5	AWG 22	1,7 mm
3	violet	PWM	Pin 3	AWG 22	1,7 mm
4	white	Tacho	Pin 4	AWG 22	1,7 mm

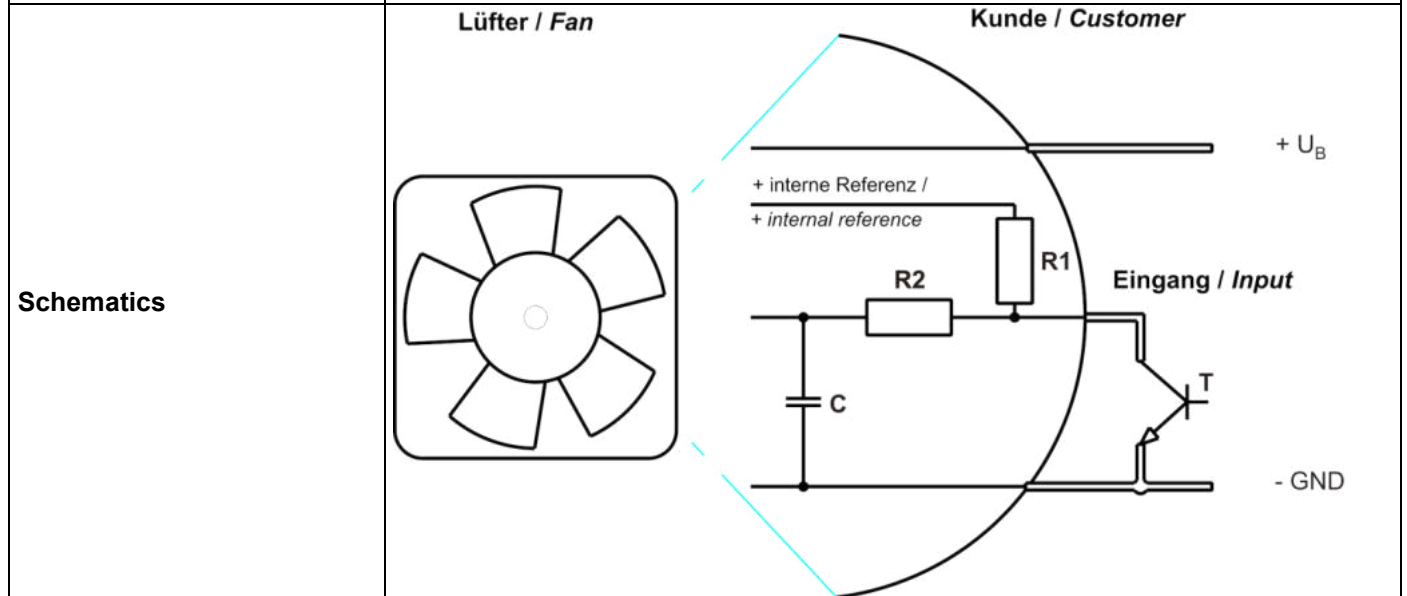
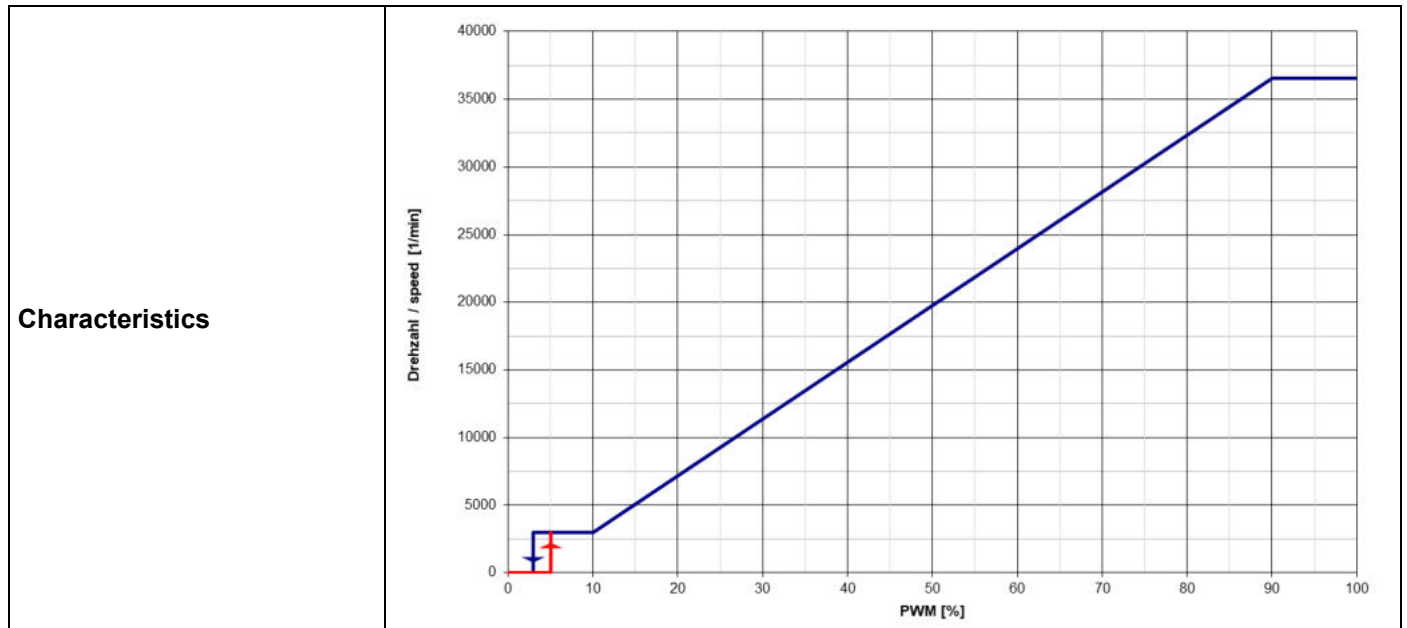
3 Operating Data

3.1 Electrical Interface - Input

Control input	PWM
---------------	-----

Features

Input type	Open collector	
PWM - Frequency		1 kHz - 10 kHz typical: 2 kHz



R1=3k3
 internal reference voltage: 3,3V

Information to the curve:

- 0 - 5%: 0 1/min (corresponding to minimum speed or power)
- 5 - 10%: 3000 1/min (corresponding to minimum speed)
- 10 - 90%: linearly increasing curve (coming from 0%)
- 90 - 100%: 36.500 1/min (corresponding to maximum speed)
- 100 - 3%: 3000 1/min (corresponding to minimum speed, coming from 100%)
- 3 - 0%: 0 1/min (corresponding to minimum speed or power)

If the setpoint is set to 0%, the fan brakes from < 20,000 rpm.
 The fan speed is set (open loop) and not regulated (closed loop). The speed depends on the operating voltage and the operating point. The maximum speed is limited to 46,000 rpm.

3.2 Electrical Operating Data

Measurement conditions: Normal air density = 1,2 kg/m³; Temperature 23°C +/- 3°C; Motor axis horizontal; warm-up time before measuring 5 minutes. In the intake and outlet area should not be any solid obstruction within 0,5 m.

- $\Delta p = 0$: corresp. to free air flow (see chapter aerodynamics)
- l: corresp. to arithm. mean current value

Name	Condition
PWM 0001	PWM: 100 %; f: 2 kHz

Features	Condition	Symbol	Values		
Voltage range		U	16 V		30 V
Nominal voltage		U _N		24 V	
Power consumption	$\Delta p = 0$	P	16 W	36 W	37 W
Tolerance	PWM 0010		+/- 10 %	+/- 5 %	+/- 5 %
Current consumption	$\Delta p = 0$	I	1.000 mA	1.500 mA	1.250 mA
Tolerance	PWM 0010		+/- 10 %	+/- 5 %	+/- 5 %
Speed	$\Delta p = 0$	n	27.500 1/min	36.500 1/min	37.000 1/min
Tolerance	PWM 0010		+/- 10 %	+/- 5 %	+/- 5 %
Starting current consumption				<= 3.000 mA	

3.3 Electrical Interface - Output

Tacho type	/2 (open collector)
------------	---------------------

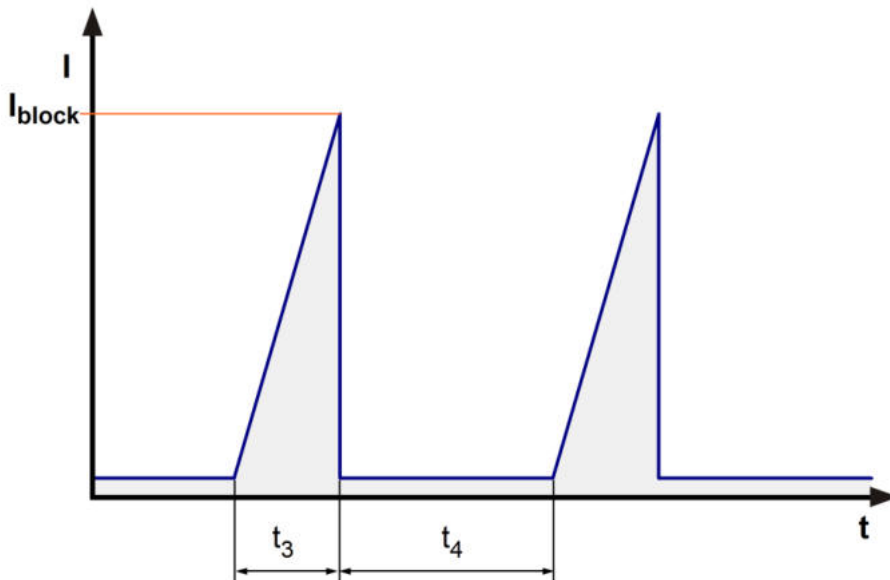
Features	Note	Values
Tacho operating voltage	U_{BS}	$\leq 30\text{ V}$
Tacho signal Low	$U_{S\text{ low}}$	$\leq 0,4\text{ V}$
Tacho signal High	$U_{S\text{ high}}$	$\leq 30\text{ V}$
Maximum sink current	I_{sink}	$\leq 4\text{ mA}$
Maximum source current		0 mA
External resistor	External resistor R_a from U_{BS} to U_S required. All voltages measured to GND.	
Tacho frequency	$n / 60$	$616\text{ Hz @ }37.000\text{ 1/min}$
Tacho isolated from motor	No	
Slew rate		$\geq 0,5\text{ V/us}$

n = revolutions per minute (1/min)

3.4 Electrical Features

Electronic function	Open loop speed	
Reversed polarity protection	N-CH FET	
Max. residual current at U_N	$I_F \leq 1 \text{ mA}$	
Locked rotor protection	Auto restart	
Locked rotor current at U_N	I_{block} approx. 70 mA	
Clock signal at locked rotor	t_3 / t_4 typical: 0,22 s / 0,22 s	
Internal fuse	Littelfuse NANO2 > Very Fast-Acting > 451/453 Series 5A / 125V (Art.No.: 0451005.MRL)	
Voltage control *)	Fan turns on at $U_B > 15 \text{ V}$ or $< 31 \text{ V}$ Fan turns off at $U_B < 14 \text{ V}$ or $> 32 \text{ V}$	

*) This fan has an undervoltage and overvoltage control circuit integrated which turns the motor off if the voltage is out of range.



3.5 Aerodynamics

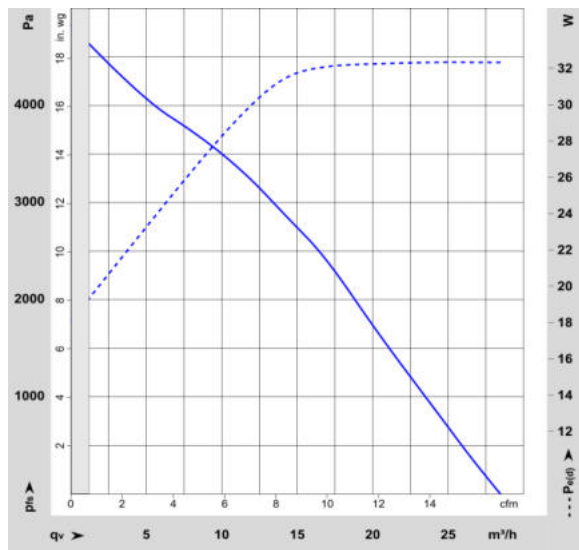
Measurement conditions: Measured with a double chamber intake rig acc. to DIN EN ISO 5801. Normal air density = 1,2 kg/m³; Temperature 23°C +/- 3°C; In the intake and outlet area should not be any solid obstruction within 0,5 m. Motor shaft horizontal.
 The information is only valid under the specified test conditions and may be changed by the installation conditions. If there are deviations from the standard test conditions, the characteristic values must be checked under the installed conditions. Power consumption of the fan motor when operating at normal voltage is shown. Depending on the operating conditions of the application, the power input may be higher.

a.) Operation condition:

36.500 1/min at free air flow	PWM 100 %; f: 2 kHz		
-------------------------------	---------------------	--	--

Max. free-air flow ($\Delta p = 0 / \dot{V} = \text{max.}$)	28 m ³ /h	
Max. static pressure ($\Delta p = \text{max.} / \dot{V} = 0$)	4.850 Pa	

The fan must not be operated at < 1m³ / h.



3.6 Sound Data

Measurement conditions: Sound pressure level: 1 meter distance between microphone and the air intake.
 Sound power level: According to ISO 10302-1
 Measured in a semianechoic chamber with a background noise level of Lp(A) < 5 dB(A)
 For further measurement conditions see chapter aerodynamics.

a.) Operation condition:

36.500 1/min at free air flow	PWM 100 %; f: 2 kHz		
-------------------------------	---------------------	--	--

Optimal operating point	12 m3/h @ 3.270 Pa		
Sound power level at the optimal operating point	7,5 bel(A)		
Sound pressure level at free air flow, measured in rubber bands			

4 Environment

4.1 General

Min. permitted ambient temperature TU min.	-20 °C		
Max. permitted ambient temperature TU max.	65 °C		
Min. permitted storage temperature TL min.	-40 °C		
Max. permitted storage temperature TL max.	85 °C		

4.2 Climatic Requirements

Humidity requirements	humid heat, constant; according to DIN EN 60068-2-78, 14 days		
Water exposure	None		
Dust requirements	None		
Salt fog requirements	None		

Permitted application area:

The product is intended for use in sheltered rooms with controlled temperature and controlled humidity. Directly exposure to water must be avoided.

Pollution degree 1 (according DIN EN 60664-1)

There is either no pollution or it occurs only dry, non-conductive pollution. The pollution has no negative impact.

Please require severity levels and specification parameters from the responsible development departments.

4.3 EMC

Kind	Electrostatic Discharge Immunity Test
According	DIN EN 61000-4-2:2001-12
Ceck accuracy / Limit	Contact Discharge +/- 4 kV; Air Discharge +/- 8 kV
Result	A: The monitored function operates as designed during and after exposure to a disturbance.

Kind	Electromagnetic Field Immunity Test
According	DIN EN 61000-4-3:2006-12
Check accuracy / Limit	10 V/m; 80 - 1000 MHz; AM; m = 0,8; f = 1 kHz; 1%; t = 3 s
Result	A: The monitored function operates as designed during and after exposure to a disturbance.

Kind	Electrical Fast Transient / Burst Immunity Test
According	DIN EN 61000-4-4:2005-07
Check accuracy / Limit	+/- 2 kV on Power Lines; Coupling: POS, NEG, {PE}, ALL, 5 kHz and 100 kHz; 1 min
Result	A: The monitored function operates as designed during and after exposure to a disturbance.

Kind	Immunity to Conducted Disturbances, Induced by RF-Fields
According	DIN EN 61000-4-6:2001-12
Check accuracy / Limit	10 Vrms; 150 kHz - 80 MHz; AM; m = 0,8; f = 1 kHz; 1%; t = 3 s
Result	A: The monitored function operates as designed during and after exposure to a disturbance.

5 Safety**5.1 Electrical Safety**

Dielectric strength DIN EN 62368 and DIN EN 60335 A.) Type test Measuring conditions: After 48h of storage at 95% R.H. and 25°C. No arcing or breakdown is allowed! All connections together to ground. B.) Routine test Measuring conditions: At indoor climate. No arcing or breakdown is allowed! All connections together to ground.	500 VAC / 1 Min. 850 VDC / 1 Sec.	
Isolation resistance Measuring conditions: After 48h of storage at 95% R.H. and 25°C measured with U=500 VDC for 1 min.	RI > 10 MOhm	
Clearance / creepage distance	1,0 mm / 1,2 mm	
Protection class	III	

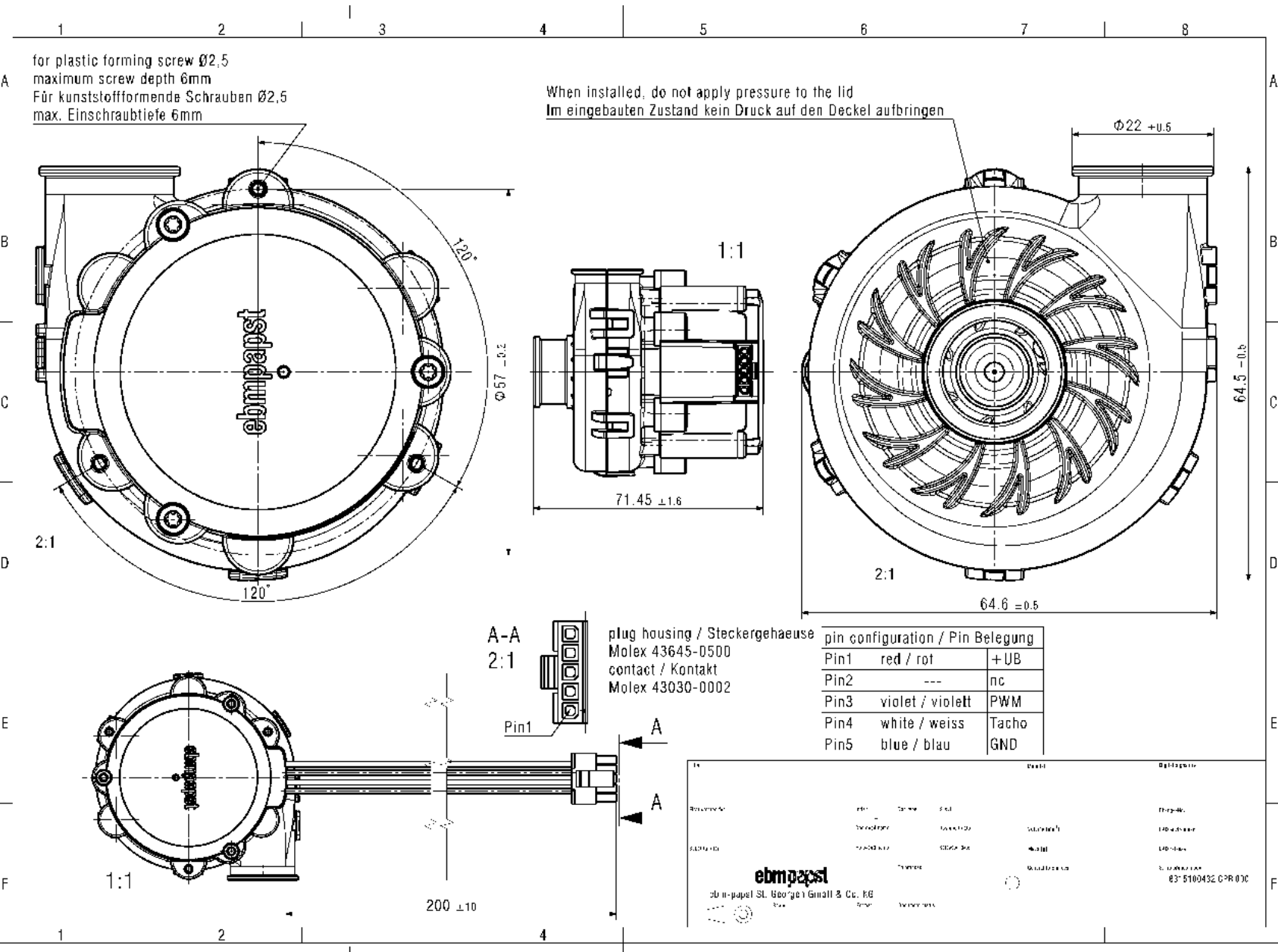
5.2 Approval Tests

CE	EC Declaration of Conformity	Yes
EAC	Eurasian Conformity	Yes
UL	Underwriters Laboratories	Yes / UL507, Electric Fans E38324
VDE	Association for Electrical, Electronic and Information Technologies	Yes / Approval acc. to EN 62368 - Audio/video, information and communication technology equipment
CSA	Canadian Standards Association	Yes / CSA audited by UL according to C22.2 No. 113 Fans and Ventilators
CCC	China Compulsory Certification	Not applicable

6 Reliability**6.1 General**

Life expectancy L10 at TU = 40 °C	17.500 h	
Life expectancy L10 at TU max.	8.500 h	
Life expectancy L10 acc. to IPC 9591 at TU = 40 °C	27.500 h	
Life expectancy L10 acc. to IPC 9591 at TU = 25 °C	45.000 h	

The reproduction, distribution and utilization of this document as well as the transmission of its contents without express authorization is prohibited. Otherwise, it will be held liable for the payment of damages. All rights reserved in the event of the grant of a patent. If by model or drawing, refer to protection under ISO 9001. Nachdruck, Verbreitung und Nutzung dieses Dokuments sowie die Weitergabe seiner Inhalte ohne schriftliche Genehmigung der ebmpapst AG sind ausdrücklich untersagt.



for plastic forming screw Ø2.5
 maximum screw depth 6mm
 Für kunststoffformende Schrauben Ø2.5
 max. Einschraubtiefe 6mm

When installed, do not apply pressure to the lid
 Im eingebauten Zustand kein Druck auf den Deckel aufbringen

plug housing / Steckergehäuse
 Molex 43645-0500
 contact / Kontakt
 Molex 43030-0002

pin configuration / Pin Belegung		
Pin1	red / rot	+UB
Pin2	---	nc
Pin3	violet / violett	PWM
Pin4	white / weiss	Tacho
Pin5	blue / blau	GND

Technische Zeichnung		Bestellnummer	
Bestellnummer	RVE45-3/34/2P-00432	Bestellnummer	RVE45-3/34/2P-00432
Produktname	2-Poliger Lüfter	Produktname	2-Poliger Lüfter
Hersteller	ebmpapst	Hersteller	ebmpapst
Produkttyp	2-Poliger Lüfter	Produkttyp	2-Poliger Lüfter
Material	Alu	Material	Alu
Abmessungen	64.6 x 64.5 x 200 mm	Abmessungen	64.6 x 64.5 x 200 mm
Wicht	~ 100g	Wicht	~ 100g
Material	Alu	Material	Alu
Produktname	2-Poliger Lüfter	Produktname	2-Poliger Lüfter
Hersteller	ebmpapst	Hersteller	ebmpapst
Produkttyp	2-Poliger Lüfter	Produkttyp	2-Poliger Lüfter
Material	Alu	Material	Alu
Abmessungen	64.6 x 64.5 x 200 mm	Abmessungen	64.6 x 64.5 x 200 mm
Wicht	~ 100g	Wicht	~ 100g
Material	Alu	Material	Alu

ebmpapst
 20 in-papst SL, Georgi Gintl & Co. AG
 83115 100432