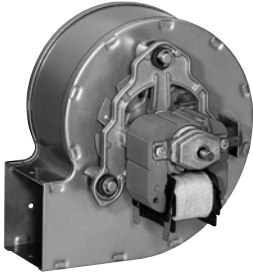


RLA108/3400-3030LH

AC centrifugal fan

forward-curved, single-intake

with housing (without flange), Gas blower for conventional heating



RLA108/3400-3030LH ebmpapst Datasheet FansCo

sales@fansco.com

www.fansco.com

Nominal data

Type	RLA108/3400-3030LH	
Phase		1~
Nominal voltage	VAC	230
Frequency	Hz	50
Speed	min ⁻¹	1925
Power consumption	W	58
Current draw	A	0.49
Max. temp. of flow medium	°C	250
Air flow	m ³ /h	135
Pressure increase	Pa	280

ml = Max. load · me = Max. efficiency · fa = Free air · cs = Customer specification · ce = Customer equipment
Subject to change



RLA108/3400-3030LH

AC centrifugal fan

forward-curved, single-intake

with housing (without flange), Gas blower for conventional heating

Technical description

Weight	1.6 kg
Impeller material	Fire-aluminized sheet steel
Housing material	Fire-aluminized sheet steel
Insulation class	"H"
Cable	Flat plug 6.3 x 0.8



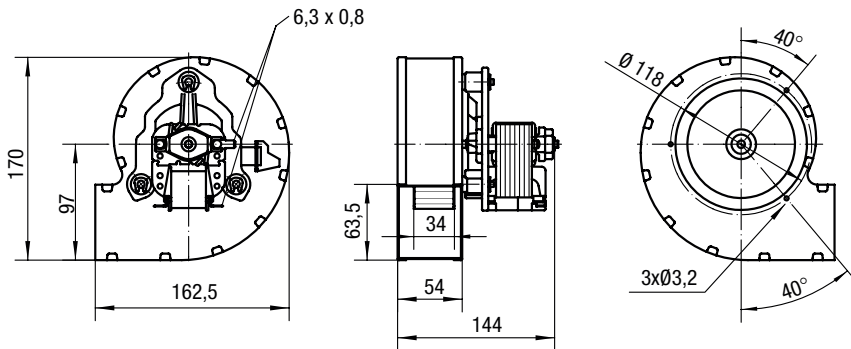
RLA108/3400-3030LH

AC centrifugal fan

forward-curved, single-intake

with housing (without flange), Gas blower for conventional heating

Product drawing

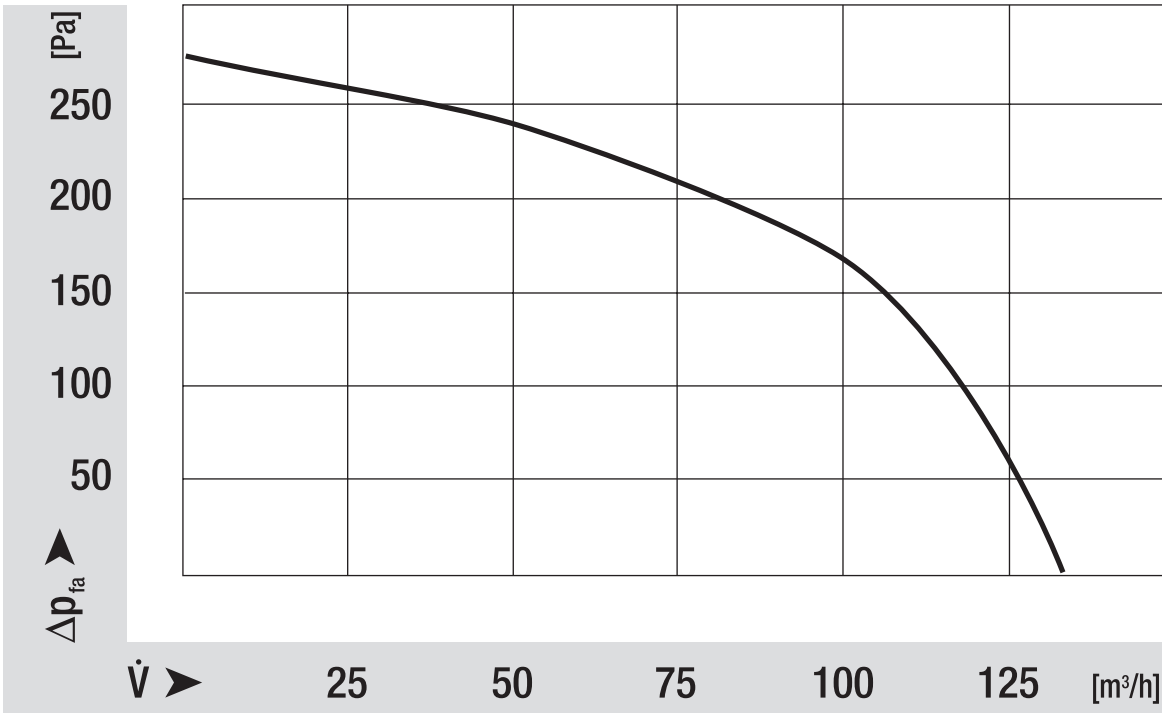


AC centrifugal fan

forward-curved, single-intake

with housing (without flange), Gas blower for conventional heating

Curves: Air performance



AC centrifugal fan

forward-curved, single-intake

with housing (without flange), Gas blower for conventional heating

Curves: Speed

