

RG148/1200-3612

EC centrifugal fan

single inlet

with housing (flange), Gas blower for gas-condensing heating



ebm-papst Landshut GmbH

Hofmark-Aich-Straße 25

D-84030 Landshut

RG148-1200-3612 ebmpapst Datasheet

sales@fansco.com

info@ebmpapst.com

Nominal data

Type	RG148/1200-3612	
Nominal voltage	VDC	24
Speed	min ⁻¹	6000
Power input	W	50
Air flow	m ³ /h	130
Pressure increase	Pa	1600

ml = Max. load · me = Max. efficiency · fa = Running at free air · cs = Customer specs · cu = Customer unit
Subject to alterations



RG148/1200-3612

EC centrifugal fan

single inlet

with housing (flange), Gas blower for gas-condensing heating

Technical features

Mass	1.6 kg
Housing material	Die-cast aluminum
Mounting position	To be specified for corresponding support elements
Bearing	Ball bearings



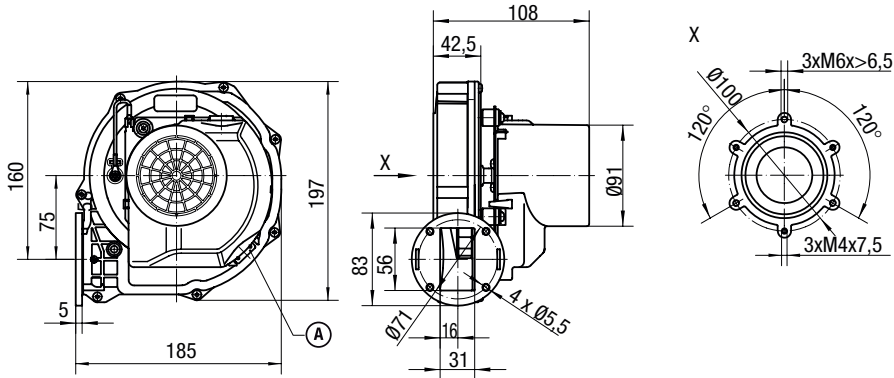
RG148/1200-3612

EC centrifugal fan

single inlet

with housing (flange), Gas blower for gas-condensing heating

Product drawing

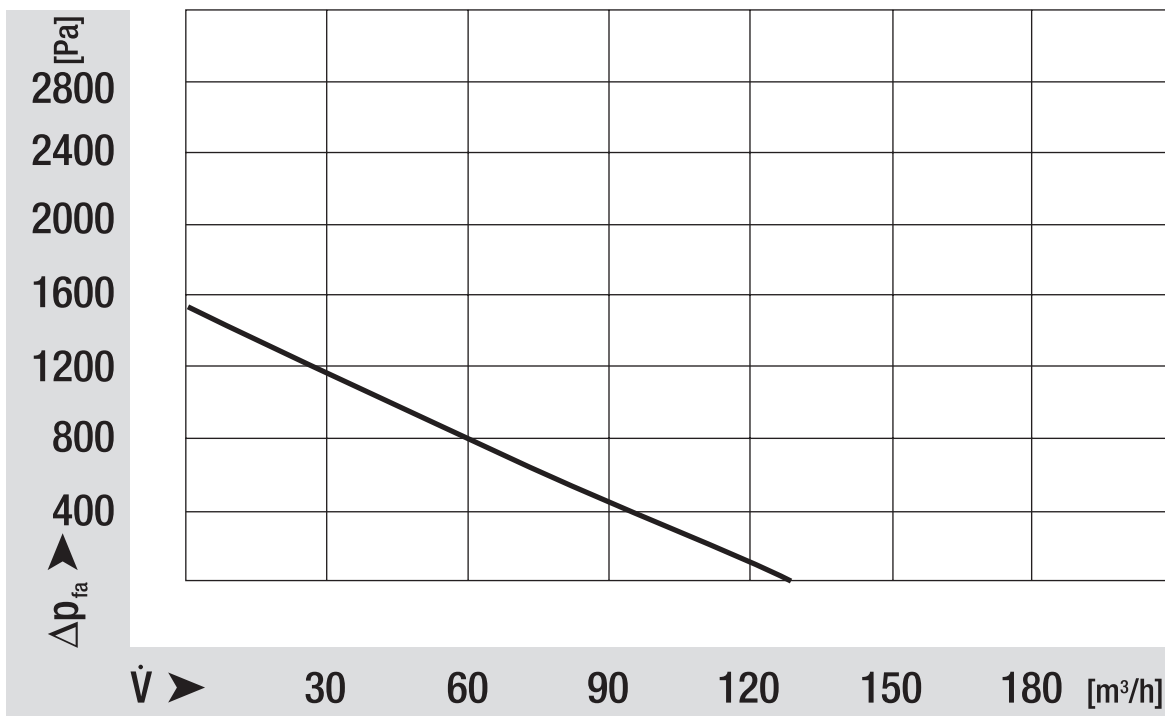


EC centrifugal fan

single inlet

with housing (flange), Gas blower for gas-condensing heating

Charts: Air flow



EC centrifugal fan

single inlet

with housing (flange), Gas blower for gas-condensing heating

Charts: Speed

