

RG130/0800-3612

# EC centrifugal fan

single inlet

with housing (flange), Gas blower for gas-condensing heating



RG130/0800-3612 ebmpapst Datasheet  
sales@fansco.com  
www.fansco.com

## Nominal data

<b>Type</b>	<b>RG130/0800-3612</b>	
Nominal voltage	VDC	24
Speed	min <sup>-1</sup>	7200
Power input	W	40
Air flow	m <sup>3</sup> /h	110
Back pressure	Pa	1900

ml = max. load · me = max. efficiency · rfa = running at free air · cs = customer specs · cu = customer unit  
Subject to alterations

## Technical features

<b>Connection line</b>	A and C
<b>Design</b>	Vibration-free motor mount
<b>Mounting position</b>	To be specified for corresponding support elements
<b>Bearing</b>	Ball bearings
<b>Mass</b>	1.4 kg
<b>Housing material</b>	Die-cast aluminum

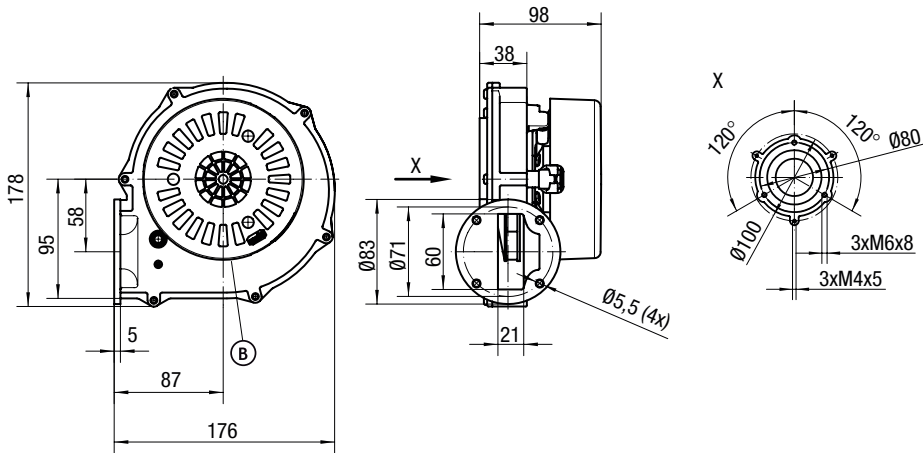
RG130/0800-3612

# EC centrifugal fan

single inlet

with housing (flange), Gas blower for gas-condensing heating

## Product drawing

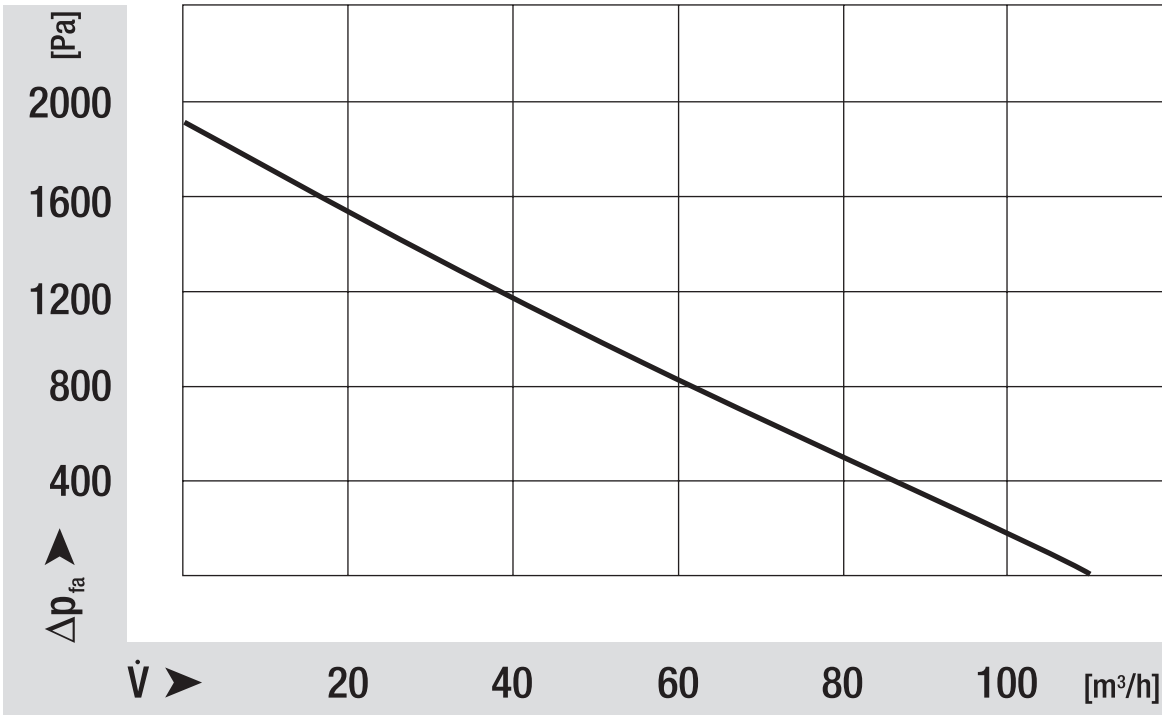


# EC centrifugal fan

single inlet

with housing (flange), Gas blower for gas-condensing heating

## Charts: Air flow



# EC centrifugal fan

single inlet

with housing (flange), Gas blower for gas-condensing heating

## Charts: Speed

